



# Technical Guide for Cold-Formed Steel Framing Products

The data in this guide is based upon the 2007 American Iron and Steel Institute's S100-07 "North American Specification for the Design of Cold-Formed Steel Structural Members" and meets the requirements of the IBC 2009 Building Code, as well as the 2011 California Building Code.

---

**Complies with the 2009 IBC and 2007 NASPEC**

The Steel Framing Industry Association (SFIA) was formed to assist companies in the cold-formed steel framing industry to become more successful by unifying the industry to expand the market for the use of cold-formed steel systems through:

- (a) Quality Assurance
- (b) Promotion
- (c) Advocacy
- (d) Education
- (e) Innovation

The SFIA is dedicated to helping all stakeholders in our industry to become more successful by unifying the industry to expand the market for the use of cold-formed steel framing systems. The SFIA developed this Industry-leading product technical guide to comply with the latest building codes and standards. The data in this guide is based upon the 2007 American Iron and Steel Institute's S100-07 "North American Specification for the Design of Cold-Formed Steel Structural Members" and meets the requirements of the IBC 2009 Building Code, as well as the 2011 California Building Code. While building codes vary by jurisdiction, this guide follows the most recent international standards published by the International Code Council, the most widely recognized building code authority in North America.

## Material Specification

Products manufactured by SFIA members are formed from steel with a minimum yield stress of 33 or 50 kips per square inch (ksi). Unless noted otherwise, all products covered in this SFIA guide are engineered to meet the 2007 edition of the American Iron and Steel Institute's (AISI) S100-07 "North American Specification for the Design of Cold-Formed Steel Structural Members" and other AISI standards referenced in section 2210 of the 2009 International Building Code (IBC-2009). The structural properties in this SFIA guide have been computed based upon allowable stress design (ASD) which includes distortional buckling considerations for all stud sections. For fastener tables, the screw sizes and head diameters do not refer to specific fasteners which may or may not be available from SFIA member companies. Shear and tension data for screws was developed using published manufacturer data and evaluation reports available at the time of publications.

## Disclaimer

A concerted effort has been made to ensure the accuracy of the technical data represented in this guide. The Steel Framing Industry Association makes no representation, warranty or guarantee in connection with this technical data and expressly disclaims any liability or responsibility for failure resulting from the use or misapplication of computations, detail drawings and specifications contained herein. All data, specifications and details contained in this guide are intended as a general guide for using SFIA member companies' products. These products should not be used in design or construction without an independent evaluation by a qualified engineer or architect to verify the suitability of a particular product for use in a specific application. This publication contains the latest information available at the time of printing. The SFIA and its member companies reserve the right to make modifications and/or change the materials of any of their products without prior notice or obligation. For the latest information regarding a particular manufacturer's products, contact that manufacturer. All SFIA manufacturers may not produce all of the products listed in this guide. Please contact your manufacturer to verify product availability.

# Table of Contents

<b>Introduction</b> .....	<b>Inside Front Cover</b>	
<b>Table of Contents</b> .....	<b>1</b>	
<b>General Product Information</b> .....	<b>2</b>	
Code Approval .....	2	
Material Specifications .....	2	
Technical Assistance .....	2	
Thickness – Steel Components .....	3	
Design Stiffening Lip Length .....	3	
General Notes for all Tables .....	3	
Definitions of Structural Property Symbols .....	4	
<b>Section Properties Tables</b>		
Section Properties Table Notes .....	5	
Non-Structural (S) Stud Section Properties .....	6	
Structural (S) Stud Section Properties .....	7	
Structural (T) Track Section Properties .....	14	
Thickness – Steel Components .....	18	
Web Depth-to-Thickness Ratios .....	18	
<b>Limiting Wall Heights Tables</b>		
Interior Non-Structural Non-Composite Table Notes .....	19	
Interior Non-Structural Non-Composite .....	19	
Curtain Wall Single-Span Table Notes .....	23	
Curtain Wall Single-Span .....	23	
Curtain Wall Double-Span Table Notes .....	35	
Curtain Wall Double-Span .....	35	
<b>Combined Axial and Lateral Load Tables</b>		
Combined Axial and Lateral Load Table Notes .....	47	
Allowable Axial Loads .....	48	
<b>Floor Joist Span Tables</b>		
Allowable Floor Joist Span Table Notes .....	72	
Allowable Floor Joist Spans .....	73	
<b>Header Load Tables</b>		
Header Load Table Notes .....	84	
Header Allowable Uniform Loads .....	85	
<b>Web Crippling Load Tables</b>		
Web Crippling Load Table Notes .....	89	
Web Crippling Conditions .....	89	
Allowable Web Crippling Loads – Single Members .....	90	
Allowable Web Crippling Loads – Back-to-Back Members .....	92	
<b>Ceiling Span Tables</b>		
Ceiling Span Table Notes .....	94	
Allowable Ceiling Spans – Deflection Limit L/360 .....	95	
Allowable Ceiling Spans – Deflection Limit L/240 .....	96	
Allowable Ceiling Spans – Deflection Limit L/120 .....	98	
<b>Typical Ceiling Details</b> .....	<b>100</b>	
<b>Channel Properties</b> .....	<b>101</b>	
U-Channel Section Properties .....	101	
U-Channel Allowable Ceiling Spans .....	101	
(Hat) Furring (F) Channel Section Properties .....	102	
(Hat) Furring (F) Channel Allowable Ceiling Spans .....	102	
<b>Fasteners (Screws and Welds)</b>		
Allowable Loads for Screw Connections .....	104	
Allowable Loads for Fillet Welds and Flare Groove Welds .....	105	
<b>Typical Details</b> .....	<b>106</b>	
Joist Bridging .....	106	
Strapping Lateral Bracing .....	107	
<b>SFIA Information</b> .....	<b>Back Cover</b>	

The Steel Framing Industry Association (SFIA) supports the industry standard nomenclature published in the American Iron and Steel Institute's (AISI) General Provisions, S200. The AISI S200 states in Section A5.2 that "structural members and non-structural members shall use a four-part product designator that identifies the size (both web depth and flange width), style and thickness." An example of this designator is shown below:

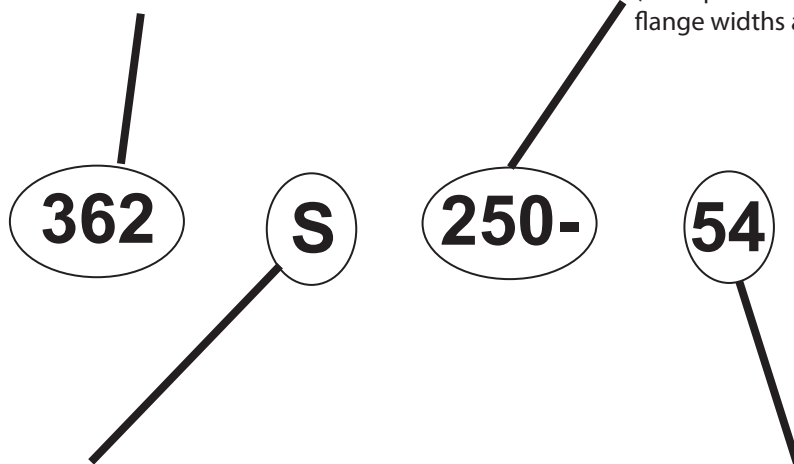
## EXAMPLE:

### MEMBER DEPTH:

(Example:  $3\text{-}5/8'' = 3.625'' \sim 362 \times 1/100$  inches) All member depths are taken in 1/100 inches. For all "T" Sections, member depth is the inside- to- inside dimension.

### FLANGE WIDTH:

(Example:  $2\text{-}1/2'' = x \times 1/100$  inches) All flange widths are taken in 1/100 inches.



### STYLE:

(Example: Stud or Joist section = S)

The four alpha characters utilized by the designator system are:

S = Stud or Joist Sections

T = Track Sections

U = Channel Sections

F = Furring Channel Sections

### MATERIAL THICKNESS:

(Example:  $0.054 \text{ in} = 54 \text{ mils}$ ; 1 mil = 1/1000 in.) Material thickness is the minimum base steel thickness in mils.

NOTE: For Structural members that are 54 mil (16 gauge) and thicker and that have both 33 and 50 ksi yield strength options shown, the designer shall identify which yield strength he has specified and the manufacturer shall label the product with the yield strength.

**Thickness Table**

**Stiffening Lip Length**

Designation Thickness (Mils)	Minimum Thickness <sup>1</sup> (in)	Design Thickness (in)	Design Inside Corner Radii <sup>2</sup> (in)	Reference Gauge No.
18	0.0179	0.0188	0.0844	25
27	0.0269	0.0283	0.0796	22
30	0.0296	0.0312	0.0782	20-Dw
33	0.0329	0.0346	0.0765	20-Str
43	0.0428	0.0451	0.0712	18
54	0.0538	0.0566	0.0849	16
68	0.0677	0.0713	0.1070	14
97	0.0966	0.1017	0.1526	12
118	0.1180	0.1242	0.1863	10

Member	Flange Width	Design Stiffening Lip Length (in)
S125	1 1/4"	0.188
S137	1 3/8"	0.375
S162	1 5/8"	0.500
S200	2"	0.625
S250	2 1/2"	0.625
S300	3"	0.625
S350	3 1/2"	1.000

<sup>1</sup> Minimum Thickness represents 95% of the design thickness and is the minimum acceptable thickness delivered to the jobsite based upon Section A2.4 of the AISI S100-07 Specification.

<sup>2</sup> The tables in this guide are calculated based on inside corner radii listed in this table.

## General Notes for all Tables

- Where AISI S100-07 Specification is referenced, it is the "North American Specification for the Design of Cold-Formed Steel Structural Members."
- The strength increase from cold work of forming has been incorporated for flexural strength per section A7.2 of AISI S100-07 Specification.
- The effective moment of inertia for deflection is calculated at a stress which results in a section modulus such that the stress times the section modulus at that stress is equal to the allowable moment. AISI S100-07 specification procedure 1 for serviceability determination has been used. Increases in the effective moment of Inertia ( $I_{xe}$ ) may be possible at lower stress levels. Any modified values would be required to be calculated by a qualified engineer.
- Various members may be manufactured with yield strengths of 33 or 50 kips per square inch (ksi). The yield strength used for calculations is indicated in the tables.
- For members available in both 33 and 50 ksi, the specifier must clearly indicate which yield strength is required. For example: 362S162-54 (50ksi).
- When provided, factory punchouts shall be located along the centerline of the webs of the members and will have a minimum center-to-center spacing of 24 inches. Punchouts for members greater than 2.5 inches deep are a maximum of 1.5 inches wide x 4 inches long. Members with depths of 1.625 and 2.5 inches and smaller are maximum of 3/4 inches wide x 4 inches long.
- Allowable flexural strength values in the tables are based upon the minimum of local, distortional and lateral-torsional buckling. Distortional buckling strength is based on a  $k\text{-}\phi = 0$ . Higher values may be obtained when sheathing is applied to the walls resulting in a higher  $k\text{-}\phi$  value.

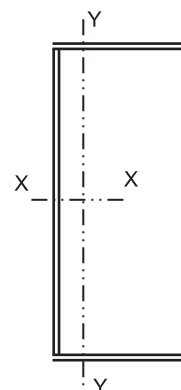
## Definitions of Structural Property Symbols

### Gross Properties

- I<sub>x</sub>: Moment of inertia of gross section about the X-X axis (strong axis).  
S<sub>x</sub>: Section modulus about the X-X axis (strong axis).  
R<sub>x</sub>: Radius of gyration of the gross section about the X-X axis.  
I<sub>y</sub>: Moment of inertia of gross section about the Y-Y axis (weak axis).  
R<sub>y</sub>: Radius of gyration of the gross section about the Y-Y axis.

### Effective Properties

- I<sub>xe</sub>: Moment of inertia for deflection calculations based upon "Procedure 1 for deflection determination of the AISI S100-07 Specification."  
S<sub>xe</sub>: Effective section modulus about the X-X axis (strong axis) stress = F<sub>y</sub>.  
M<sub>a</sub>: Allowable Bending Moment - Based upon the effective section modulus and the allowable stress including the strength increase from the cold-work of forming (section A7.2) where applicable.  
M<sub>nc</sub>: Nominal Bending Moment - Based upon Distortional Buckling Strength calculated in accordance with AISI section C3.1.4.  
V<sub>ag</sub>: Allowable strong axis shear away from punchout, calculated in accordance with AISI section C3.2.1.  
V<sub>anet</sub>: Allowable strong axis shear at punchout, calculated in accordance with AISI section C3.2.2.



### Torsional and Other Properties

- J: St. Venant Torsional Constant.  
C<sub>w</sub>: Torsional warping constant.  
M: Distance from shear center to mid-plane of web.  
X<sub>o</sub>: Distance from the shear center to the centroid along the principal X-axis.  
R<sub>o</sub>: Polar radius of gyration about the centroidal principal axis.  
b:  $1 - (X_o / R_o)^2$  or  $1 - (X_o / R_o)^{2}$   
L<sub>u</sub>: The longest weak axis (L<sub>y</sub>) and torsional (L<sub>t</sub>) unbraced length at which lateral torsional buckling is restrained in accordance with AISI C3.1.2.1.

## Section Properties Table Notes

1. Calculated properties are based on AISI S100-07, North American Specification for the Design of Cold-Formed Steel Structural Members.
2. The centerline bend radius is based upon inside corner radii shown in thickness chart.
3. Effective properties incorporate the strength increase from the cold work of forming as applicable per AISI A7.2.
4. Tabulated gross properties, including torsional properties, are based upon full-unreduced cross section of the studs, away from punchouts.
5. For deflection calculations, use the effective moment of inertia.
6. Allowable moment includes cold-work of forming.
7. For the steels that have both 33 and 50 ksi listing, if the design is based upon 50 ksi, the 50 ksi steel needs to be specified. (example: 3625 S137 16-50 (50 ksi)).
8. Web depth for track sections is equal to the nominal height plus 2 times the design thickness plus the bend radius. Hems on non-structural track sections are ignored.



# Section Properties



## Non-Structural (S) Stud Section Properties

Member	Design Thickness (in)	F <sub>y</sub> (ksi)	Area (in <sup>2</sup> )	Weight (lb/ft)	Effective Properties						Gross Properties					Torsional Properties						
					I <sub>x</sub> (in <sup>4</sup> )	S <sub>x</sub> (in <sup>3</sup> )	M <sub>a</sub> (in-k)	M <sub>nd</sub> (in-k)	V <sub>ag</sub> (lb)	V <sub>a,net</sub> (lb)	I <sub>x</sub> (in <sup>4</sup> )	S <sub>x</sub> (in <sup>3</sup> )	R <sub>x</sub> (in)	I <sub>y</sub> (in <sup>4</sup> )	R <sub>y</sub> (in)	J x 1000 (in <sup>4</sup> )	C <sub>w</sub> (in <sup>6</sup> )	X <sub>0</sub> (in)	m (in)	R <sub>0</sub> (in)	b (in)	L <sub>u</sub> (in)
162S125-18	0.0188	33	0.080	0.27	0.034	0.031	0.616	1.092	302	100	0.038	0.046	0.686	0.016	0.447	0.009	0.009	-1.029	0.594	1.315	0.388	29.0
162S125-27	0.0283	33	0.120	0.41	0.055	0.053	1.047	1.901	494	106	0.056	0.069	0.682	0.023	0.443	0.032	0.013	-1.018	0.587	1.303	0.390	29.1
162S125-30	0.0312	33	0.132	0.45	0.060	0.060	1.192	2.163	543	106	0.061	0.075	0.681	0.026	0.441	0.043	0.014	-1.014	0.585	1.299	0.390	29.2
162S125-33	0.0346	33	0.145	0.49	0.066	0.069	1.370	2.477	601	105	0.067	0.083	0.679	0.028	0.440	0.058	0.016	-1.010	0.583	1.294	0.391	29.3
250S125-18	0.0188	33	0.097	0.33	0.089	0.060	1.176	1.719	258	196	0.099	0.079	1.014	0.019	0.439	0.011	0.023	-0.904	0.543	1.428	0.599	29.0
250S125-27	0.0283	33	0.144	0.49	0.145	0.098	1.927	3.050	685	344	0.147	0.118	1.009	0.027	0.434	0.039	0.034	-0.893	0.537	1.416	0.602	28.9
250S125-30	0.0312	33	0.159	0.54	0.159	0.110	2.176	3.491	832	378	0.161	0.129	1.008	0.030	0.433	0.052	0.037	-0.890	0.535	1.413	0.603	28.9
250S125-33	0.0346	33	0.176	0.60	0.175	0.126	2.481	4.022	975	399	0.178	0.142	1.007	0.033	0.431	0.070	0.040	-0.886	0.532	1.409	0.604	28.9
250S125-43	0.0451	33	0.227	0.77	0.226	0.177	3.494	5.740	1265	394	0.228	0.182	1.002	0.041	0.427	0.154	0.050	-0.874	0.526	1.396	0.608	28.9
250S125-54	0.0566	33	0.280	0.95	0.277	0.218	4.984	7.318	1553	373	0.277	0.222	0.994	0.049	0.419	0.299	0.060	-0.859	0.518	1.379	0.612	29.0
250S125-54	0.0566	50	0.280	0.95	0.275	0.209	6.259	10.308	2353	565	0.277	0.222	0.994	0.049	0.419	0.299	0.060	-0.859	0.518	1.379	0.612	23.3
250S125-68	0.0713	33	0.346	1.18	0.335	0.268	6.328	8.831	1891	342	0.335	0.268	0.984	0.058	0.408	0.586	0.072	-0.840	0.508	1.356	0.617	29.3
250S125-68	0.0713	50	0.346	1.18	0.335	0.263	7.860	13.381	2866	519	0.335	0.268	0.984	0.058	0.408	0.586	0.072	-0.840	0.508	1.356	0.617	23.3
350S125-18	0.0188	33	0.115	0.39	0.197	0.075	1.477	2.454	180	159	0.215	0.123	1.366	0.021	0.423	0.014	0.050	-0.798	0.495	1.638	0.763	28.8
350S125-27	0.0283	33	0.173	0.59	0.313	0.135	2.665	4.429	614	359	0.320	0.183	1.361	0.030	0.419	0.046	0.073	-0.788	0.489	1.627	0.766	28.7
350S125-30	0.0312	33	0.190	0.65	0.346	0.155	3.071	5.092	824	436	0.351	0.201	1.360	0.033	0.417	0.062	0.079	-0.784	0.488	1.624	0.767	28.6
350S125-33	0.0346	33	0.210	0.72	0.382	0.181	3.571	5.899	1024	487	0.388	0.222	1.358	0.036	0.416	0.084	0.087	-0.781	0.485	1.621	0.768	28.6
350S125-43	0.0451	33	0.272	0.93	0.493	0.265	5.237	8.551	1739	631	0.498	0.284	1.352	0.046	0.411	0.185	0.109	-0.769	0.479	1.609	0.771	28.5
350S125-54	0.0566	33	0.337	1.15	0.609	0.332	7.603	11.477	2253	633	0.609	0.348	1.344	0.055	0.403	0.360	0.131	-0.755	0.472	1.593	0.775	28.4
350S125-54	0.0566	50	0.337	1.15	0.603	0.316	9.459	15.472	3372	947	0.609	0.348	1.344	0.055	0.403	0.360	0.131	-0.755	0.472	1.593	0.775	22.9
350S125-68	0.0713	33	0.417	1.42	0.739	0.411	9.718	13.941	2774	592	0.739	0.422	1.332	0.064	0.392	0.706	0.156	-0.737	0.462	1.572	0.780	28.3
350S125-68	0.0713	50	0.417	1.42	0.739	0.403	12.066	20.967	4203	897	0.739	0.422	1.332	0.064	0.392	0.706	0.156	-0.737	0.462	1.572	0.780	22.8
362S125-18	0.0188	33	0.118	0.40	0.215	0.078	1.536	2.546	173	163	0.234	0.129	1.409	0.021	0.421	0.014	0.054	-0.786	0.490	1.667	0.778	28.8
362S125-27	0.0283	33	0.176	0.60	0.340	0.141	2.778	4.603	592	370	0.347	0.192	1.404	0.031	0.416	0.047	0.079	-0.776	0.484	1.657	0.781	28.6
362S125-30	0.0312	33	0.194	0.66	0.375	0.162	3.203	5.295	794	449	0.381	0.210	1.402	0.033	0.415	0.063	0.086	-0.773	0.482	1.654	0.782	28.6
362S125-33	0.0346	33	0.215	0.73	0.415	0.189	3.727	6.138	1024	521	0.421	0.232	1.401	0.037	0.413	0.086	0.094	-0.770	0.480	1.651	0.783	28.5
362S125-43	0.0451	33	0.278	0.95	0.535	0.277	5.474	8.914	1739	676	0.541	0.298	1.395	0.046	0.408	0.188	0.118	-0.758	0.474	1.640	0.786	28.4
362S125-54	0.0566	33	0.344	1.17	0.661	0.349	7.976	12.023	2341	705	0.661	0.365	1.386	0.055	0.401	0.367	0.142	-0.744	0.466	1.624	0.790	28.3
362S125-54	0.0566	50	0.344	1.17	0.655	0.331	9.899	16.142	3372	1016	0.661	0.365	1.386	0.055	0.401	0.367	0.142	-0.744	0.466	1.624	0.790	22.8
362S125-68	0.0713	33	0.426	1.45	0.804	0.432	10.224	14.636	2884	662	0.804	0.444	1.374	0.065	0.390	0.721	0.170	-0.726	0.457	1.602	0.795	28.2
362S125-68	0.0713	50	0.426	1.45	0.804	0.424	12.699	21.918	4370	1004	0.804	0.444	1.374	0.065	0.390	0.721	0.170	-0.726	0.457	1.602	0.795	22.7
400S125-18 <sup>1</sup>	0.0188	33	0.125	0.42	0.273	0.087	1.714	2.817	156	156	0.294	0.147	1.536	0.021	0.415	0.015	0.068	-0.755	0.475	1.761	0.816	28.7
400S125-27	0.0283	33	0.187	0.64	0.428	0.158	3.117	5.124	533	398	0.438	0.219	1.531	0.031	0.410	0.050	0.098	-0.745	0.469	1.751	0.819	28.5
400S125-30	0.0312	33	0.206	0.70	0.473	0.182	3.600	5.905	715	484	0.481	0.240	1.529	0.034	0.409	0.067	0.108	-0.742	0.467	1.748	0.820	28.5
400S125-33	0.0346	33	0.228	0.77	0.523	0.212	4.196	6.857	976	595	0.531	0.265	1.527	0.038	0.407	0.091	0.118	-0.738	0.465	1.745	0.821	28.4
400S125-43	0.0451	33	0.295	1.00	0.676	0.313	6.191	10.011	1739	810	0.682	0.341	1.522	0.048	0.402	0.200	0.148	-0.727	0.459	1.734	0.824	28.2
400S125-54	0.0566	33	0.365	1.24	0.836	0.399	7.881	13.578	2603	944	0.836	0.418	1.512	0.057	0.394	0.390	0.178	-0.713	0.452	1.718	0.828	28.1
400S125-54	0.0566	50	0.365	1.24	0.828	0.375	11.229	18.170	3372	1223	0.836	0.418	1.512	0.057	0.394	0.390	0.178	-0.713	0.452	1.718	0.828	22.7
400S125-68	0.0713	33	0.452	1.54	1.018	0.499	11.793	16.792	3215	895	1.018	0.509	1.500	0.067	0.383	0.767	0.213	-0.695	0.443	1.697	0.832	28.0
400S125-68	0.0713	50	0.452	1.54	1.018	0.488	14.605	24.817	4871	1356	1.018	0.509	1.500	0.067	0.383	0.767	0.213	-0.695	0.443	1.697	0.832	22.5
550S125-18 <sup>2</sup>	0.0188	33	0.153	0.52	0.898	0.246	4.867	7.134	382	382	0.630	0.229	2.029	0.023	0.390	0.018	0.141	-0.651	0.423	2.166	0.910	28.2
550S125-27	0.0283	33	0.229	0.78	0.996	0.286	5.653	8.271	512	512	0.939	0.341	2.023	0.034	0.385	0.061	0.205	-0.642	0.417	2.158	0.912	27.9
550S125-30	0.0312	33	0.252	0.86	1.112	0.335	6.625	9.674	699	699	1.032	0.375	2.022	0.037	0.384	0.082	0.224	-0.639	0.416	2.155	0.912	27.9
550S125-33	0.0346	33	0.279	0.95	1.112	0.335	6.625	9.674	699	699	1.140	0.415	2.020	0.041	0.382	0.112	0.246	-0.636	0.414	2.152	0.913	27.8
550S125-43	0.0451	33	0.362	1.23	1.458	0.500	9.890	14.402	1550	1199	1.469	0.534	2.013	0.052	0.377	0.246	0.309	-0.626	0.408	2.142	0.915	27.6
550S125-54	0.0566	33	0.450	1.53	1.805	0.647	14.812	19.936	2739	1666	1.806	0.657	2.003	0.062	0.370	0.481	0.374	-0.613	0.401	2.127	0.917	27.3
550S125-54	0.0566	50	0.450	1.53	1.791	0.606	18.153	26.346	3093	1881	1.806	0.657	2.003	0.062	0.370	0.481	0.374	-0.613	0.401	2.127	0.917	22.1
550S125-68	0.0713	33	0.559	1.90	2.210	0.803	18.999	26.521	4347	2057	2.210	0.804	1.988	0.072	0.359	0.948	0.448	-0.597	0.392	2.106	0.920	27.0
550S125-68	0.0713	50	0.559	1.90	2.210	0.792	23.724	36.743	5350	2532	2.210	0.804	1.988	0.072	0.359	0.948	0.448	-0.597	0.392	2.106	0.920	21.9
600S125-18 <sup>2</sup>	0.0188	33	0.162	0.55	0.779	0.260	2.190	0.024	0.382	0.382	0.779	0.260	2.190	0.024	0.382	0.019	0.172	-0.623	0.408	2.308	0.927	28.0
600S125-27 <sup>1</sup>	0.0283	33	0.243	0.83	1.097	0.271	5.352</															



# Section Properties

## Structural (S) Stud Section Properties

Member	Design Thickness (in)	F <sub>y</sub> (ksi)	Area (in <sup>2</sup> )	Weight (lb/ft)	Effective Properties						Gross Properties					Torsional Properties						
					I <sub>x</sub> (in <sup>4</sup> )	S <sub>x</sub> (in <sup>3</sup> )	M <sub>a</sub> (in-k)	M <sub>nd</sub> (in-k)	V <sub>a</sub> (lb)	V <sub>a,net</sub> (lb)	I <sub>x</sub> (in <sup>4</sup> )	S <sub>x</sub> (in <sup>3</sup> )	R <sub>x</sub> (in)	I <sub>y</sub> (in <sup>4</sup> )	R <sub>y</sub> (in)	J x 1000 (in <sup>6</sup> )	C <sub>w</sub> (in <sup>6</sup> )	X <sub>0</sub> (in)	m (in)	R <sub>0</sub> (in)	b (in)	L <sub>0</sub> (in)
250S137-33	0.0346	33	0.197	0.67	0.203	0.158	3.114	5.169	975	399	0.203	0.163	1.015	0.052	0.515	0.079	0.076	-1.141	0.677	1.612	0.499	35.6
250S137-43	0.0451	33	0.255	0.87	0.261	0.208	4.604	6.880	1265	394	0.261	0.208	1.011	0.067	0.511	0.173	0.096	-1.129	0.670	1.599	0.501	35.6
250S137-54	0.0566	33	0.316	1.07	0.318	0.255	5.758	8.401	1553	373	0.318	0.255	1.004	0.080	0.504	0.337	0.115	-1.115	0.663	1.583	0.504	35.8
250S137-54	0.0566	50	0.316	1.07	0.318	0.248	8.336	12.729	2353	565	0.318	0.255	1.004	0.080	0.504	0.337	0.115	-1.115	0.663	1.583	0.504	28.8
250S137-68	0.0713	33	0.390	1.33	0.386	0.309	7.198	10.187	1891	342	0.386	0.309	0.995	0.096	0.495	0.661	0.138	-1.096	0.653	1.561	0.507	36.3
250S137-68	0.0713	50	0.390	1.33	0.386	0.309	10.677	15.436	2866	519	0.386	0.309	0.995	0.096	0.495	0.661	0.138	-1.096	0.653	1.561	0.507	28.9
250S162-33	0.0346	33	0.223	0.76	0.235	0.180	3.554	5.951	975	399	0.235	0.188	1.027	0.087	0.624	0.089	0.146	-1.470	0.859	1.898	0.401	44.1
250S162-43	0.0451	33	0.289	0.98	0.302	0.242	5.253	7.974	1265	394	0.302	0.242	1.022	0.111	0.620	0.196	0.184	-1.457	0.852	1.885	0.402	44.2
250S162-54	0.0566	33	0.358	1.22	0.370	0.296	6.567	9.763	1553	373	0.370	0.296	1.016	0.135	0.613	0.383	0.223	-1.443	0.845	1.868	0.404	44.5
250S162-54	0.0566	50	0.358	1.22	0.370	0.288	9.544	14.682	2353	565	0.370	0.296	1.016	0.135	0.613	0.383	0.223	-1.443	0.845	1.868	0.404	35.8
250S162-68	0.0713	33	0.443	1.51	0.450	0.360	8.212	11.887	1891	342	0.450	0.360	1.008	0.162	0.605	0.752	0.268	-1.424	0.835	1.847	0.405	45.1
250S162-68	0.0713	50	0.443	1.51	0.450	0.360	12.214	18.010	2866	519	0.450	0.360	1.008	0.162	0.605	0.752	0.268	-1.424	0.835	1.847	0.405	36.0
350S162-33	0.0346	33	0.258	0.88	0.508	0.263	5.204	8.716	1024	487	0.508	0.291	1.404	0.098	0.617	0.103	0.277	-1.324	0.796	2.026	0.573	42.7
350S162-43	0.0451	33	0.334	1.14	0.654	0.364	7.183	12.216	1739	631	0.655	0.374	1.400	0.125	0.612	0.227	0.350	-1.312	0.789	2.014	0.575	42.6
350S162-54	0.0566	33	0.415	1.41	0.804	0.451	10.003	15.172	2253	633	0.805	0.460	1.393	0.152	0.606	0.443	0.426	-1.298	0.782	1.998	0.578	42.7
350S162-54	0.0566	50	0.415	1.41	0.804	0.433	12.975	21.795	3372	947	0.805	0.460	1.393	0.152	0.606	0.443	0.426	-1.298	0.782	1.998	0.578	34.5
350S162-68	0.0713	33	0.515	1.75	0.985	0.551	12.567	18.570	2774	592	0.985	0.563	1.383	0.184	0.597	0.872	0.514	-1.280	0.772	1.977	0.581	42.9
350S162-68	0.0713	50	0.515	1.75	0.985	0.551	18.691	28.137	4203	897	0.985	0.563	1.383	0.184	0.597	0.872	0.514	-1.280	0.772	1.977	0.581	34.5
350S162-97	0.1017	33	0.711	2.42	1.321	0.739	17.723	24.911	3765	511	1.321	0.755	1.363	0.238	0.579	2.452	0.672	-1.242	0.752	1.932	0.587	43.6
350S162-97	0.1017	50	0.711	2.42	1.321	0.739	26.199	37.745	5705	775	1.321	0.755	1.363	0.238	0.579	2.452	0.672	-1.242	0.752	1.932	0.587	34.7
350S200-43	0.0451	33	0.379	1.29	0.771	0.416	8.229	13.965	1739	631	0.771	0.441	1.426	0.224	0.768	0.257	0.687	-1.242	0.752	2.383	0.462	53.7
350S200-54	0.0566	33	0.471	1.60	0.950	0.534	11.617	17.921	2253	633	0.950	0.543	1.420	0.274	0.762	0.503	0.838	-1.733	1.024	2.367	0.464	53.8
350S200-54	0.0566	50	0.471	1.60	0.950	0.478	14.302	24.829	3372	947	0.950	0.543	1.420	0.274	0.762	0.503	0.838	-1.733	1.024	2.367	0.464	43.5
350S200-68	0.0713	33	0.586	1.99	1.167	0.655	14.586	22.009	2774	592	1.167	0.667	1.411	0.333	0.754	0.993	1.018	-1.715	1.014	2.345	0.465	54.1
350S200-68	0.0713	50	0.586	1.99	1.167	0.640	21.255	32.873	4203	897	1.167	0.667	1.411	0.333	0.754	0.993	1.018	-1.715	1.014	2.345	0.465	43.5
350S200-97	0.1017	33	0.813	2.77	1.577	0.885	20.576	29.741	3765	511	1.577	0.901	1.393	0.440	0.736	2.803	1.347	-1.676	0.994	2.300	0.469	55.0
350S200-97	0.1017	50	0.813	2.77	1.577	0.885	30.529	45.062	5705	775	1.577	0.901	1.393	0.440	0.736	2.803	1.347	-1.676	0.994	2.300	0.469	43.9
362S137-33	0.0346	33	0.236	0.80	0.479	0.239	4.725	7.901	1024	521	0.479	0.264	1.424	0.059	0.501	0.094	0.165	-1.003	0.615	1.813	0.694	34.7
362S137-43	0.0451	33	0.306	1.04	0.616	0.328	6.482	11.116	1739	676	0.616	0.340	1.419	0.075	0.497	0.207	0.208	-0.991	0.608	1.801	0.697	34.6
362S137-54	0.0566	33	0.379	1.29	0.756	0.408	9.235	13.765	2341	705	0.756	0.417	1.412	0.091	0.490	0.405	0.251	-0.978	0.601	1.786	0.700	34.6
362S137-54	0.0566	50	0.379	1.29	0.756	0.391	11.695	19.894	3372	1016	0.756	0.417	1.412	0.091	0.490	0.405	0.251	-0.978	0.601	1.786	0.700	27.9
362S137-68	0.0713	33	0.470	1.60	0.923	0.498	11.610	16.800	2884	662	0.923	0.509	1.401	0.109	0.481	0.797	0.302	-0.959	0.592	1.765	0.704	34.6
362S137-68	0.0713	50	0.470	1.60	0.923	0.498	17.221	25.454	4370	1004	0.923	0.509	1.401	0.109	0.481	0.797	0.302	-0.959	0.592	1.765	0.704	27.8
362S162-33	0.0346	33	0.262	0.89	0.551	0.275	5.426	9.069	1024	521	0.551	0.304	1.450	0.099	0.616	0.105	0.297	-1.308	0.789	2.048	0.592	42.6
362S162-43	0.0451	33	0.340	1.16	0.710	0.380	7.502	12.727	1739	676	0.710	0.392	1.445	0.127	0.611	0.230	0.376	-1.297	0.782	2.036	0.594	42.5
362S162-54	0.0566	33	0.422	1.44	0.873	0.473	10.495	15.893	2341	705	0.873	0.482	1.438	0.154	0.605	0.451	0.457	-1.283	0.774	2.020	0.597	42.5
362S162-54	0.0566	50	0.422	1.44	0.873	0.453	13.556	22.708	3372	1016	0.873	0.482	1.438	0.154	0.605	0.451	0.457	-1.283	0.774	2.020	0.597	34.4
362S162-68	0.0713	33	0.524	1.78	1.069	0.579	13.192	19.463	2884	662	1.069	0.590	1.429	0.186	0.596	0.887	0.552	-1.264	0.765	1.999	0.600	42.7
362S162-68	0.0713	50	0.524	1.78	1.069	0.579	19.621	29.489	4370	1004	1.069	0.590	1.429	0.186	0.596	0.887	0.552	-1.264	0.765	1.999	0.600	34.4
362S162-97	0.1017	33	0.724	2.46	1.436	0.776	18.627	26.137	3922	577	1.436	0.792	1.408	0.241	0.577	2.496	0.723	-1.226	0.745	1.954	0.606	43.3
362S162-97	0.1017	50	0.724	2.46	1.436	0.776	27.535	39.601	5943	875	1.436	0.792	1.408	0.241	0.577	2.496	0.723	-1.226	0.745	1.954	0.606	34.5
362S200-33	0.0346	33	0.297	1.01	0.642	0.301	5.946	10.331	1024	521	0.648	0.358	1.478	0.177	0.772	0.118	0.577	-1.741	1.030	2.411	0.478	53.6
362S200-43	0.0451	33	0.385	1.31	0.836	0.435	8.591	14.536	1739	676	0.836	0.461	1.474	0.227	0.767	0.261	0.734	-1.729	1.024	2.398	0.480	53.5
362S200-54	0.0566	33	0.479	1.63	1.030	0.560	12.174	18.756	2341	705	1.030	0.568	1.467	0.277	0.761	0.511	0.896	-1.715	1.016	2.382	0.482	53.6
362S200-54	0.0566	50	0.479	1.63	1.030	0.499	14.934	25.845	3372	1016	1.030	0.568	1.467	0.277	0.761	0.511	0.896	-1.715	1.016	2.382	0.482	43.3
362S200-68	0.0713	33	0.595	2.02	1.266	0.687	15.293	23.044	2884	662	1.266	0.698	1.458	0.337	0.753	1.008	1.089	-1.696	1.006	2.360	0.484	53.8
362S200-68	0.0713	50	0.595	2.02	1.266	0.671	22.282	34.264	4370	1004	1.266	0.698	1.458	0.337	0.753	1.008	1.089	-1.696	1.006	2.360	0.484	43.3
362S200-97	0.1017	33	0.826	2.81	1.712	0.929	21.596	31.170	3922	577	1.712	0.945	1.440	0.446	0.735	2.847	1.441	-1.658	0.986	2.316	0.487	54.7
362S200-97	0.1017	50	0.826	2.81	1.712	0.929	32.043	47.228	5943	875	1.712	0.945	1.440	0.446	0.735	2.847	1.441	-1.658	0.986	2.316	0.487	43.6
362S250-33 <sup>2</sup>	0.0346	33	0.331	1.13	0.760	0.419	5.154	9.299	951	1.132	0.965	-2.211	1.284	2.844	0.395	64.2						
362S250-43	0.0451	33	0.430	1.46	0.980	0.457	9.036	15.6														

# Section Properties



## Structural (S) Stud Section Properties

Member	Design Thickness (in)	Fy (ksi)	Area (in <sup>2</sup> )	Weight (lb/ft)	Effective Properties						Gross Properties					Torsional Properties						
					I <sub>x</sub> (in <sup>4</sup> )	S <sub>x</sub> (in <sup>3</sup> )	M <sub>a</sub> (in-k)	M <sub>nd</sub> (in-k)	V <sub>a</sub> (lb)	V <sub>a,net</sub> (lb)	I <sub>x</sub> (in <sup>4</sup> )	S <sub>x</sub> (in <sup>3</sup> )	R <sub>x</sub> (in)	I <sub>y</sub> (in <sup>4</sup> )	R <sub>y</sub> (in)	J x 1000 (in <sup>4</sup> )	C <sub>w</sub> (in <sup>6</sup> )	X <sub>0</sub> (in)	m (in)	R <sub>0</sub> (in)	b (in)	L <sub>u</sub> (in)
400S137-33	0.0346	33	0.249	0.85	0.603	0.268	5.305	8.830	976	595	0.603	0.302	1.556	0.061	0.496	0.099	0.204	-0.965	0.597	1.897	0.741	34.5
400S137-43	0.0451	33	0.323	1.10	0.776	0.371	7.323	12.479	1739	810	0.776	0.388	1.551	0.078	0.491	0.219	0.257	-0.954	0.591	1.886	0.744	34.3
400S137-54	0.0566	33	0.401	1.36	0.953	0.465	9.193	15.731	2603	944	0.953	0.477	1.543	0.094	0.484	0.428	0.311	-0.940	0.583	1.870	0.747	34.3
400S137-54	0.0566	50	0.401	1.36	0.953	0.442	13.233	22.349	3372	1223	0.953	0.477	1.543	0.094	0.484	0.428	0.311	-0.940	0.583	1.870	0.747	27.7
400S137-68	0.0713	33	0.497	1.69	1.165	0.573	13.349	19.227	3215	895	1.165	0.583	1.531	0.112	0.475	0.842	0.375	-0.922	0.574	1.850	0.751	34.2
400S137-68	0.0713	50	0.497	1.69	1.165	0.571	17.088	29.132	4871	1356	1.165	0.583	1.531	0.112	0.475	0.842	0.375	-0.922	0.574	1.850	0.751	27.6
400S162-33	0.0346	33	0.275	0.94	0.692	0.308	6.096	10.133	976	595	0.692	0.346	1.586	0.103	0.611	0.110	0.363	-1.263	0.768	2.118	0.644	42.3
400S162-43	0.0451	33	0.357	1.21	0.892	0.428	8.466	14.273	1739	810	0.892	0.446	1.581	0.131	0.606	0.242	0.460	-1.252	0.761	2.106	0.647	42.2
400S162-54	0.0566	33	0.443	1.51	1.098	0.537	10.621	18.116	2603	944	1.098	0.549	1.574	0.159	0.600	0.473	0.560	-1.238	0.754	2.090	0.649	42.2
400S162-54	0.0566	50	0.443	1.51	1.098	0.511	15.310	25.473	3372	1223	1.098	0.549	1.574	0.159	0.600	0.473	0.560	-1.238	0.754	2.090	0.649	34.1
400S162-68	0.0713	33	0.550	1.87	1.346	0.663	15.117	22.216	3215	895	1.346	0.673	1.564	0.192	0.591	0.933	0.677	-1.220	0.745	2.069	0.653	42.2
400S162-68	0.0713	50	0.550	1.87	1.346	0.661	19.799	33.660	4871	1356	1.346	0.673	1.564	0.192	0.591	0.933	0.677	-1.220	0.745	2.069	0.653	34.0
400S162-97	0.1017	33	0.762	2.59	1.813	0.892	21.413	29.920	4394	797	1.813	0.907	1.542	0.250	0.572	2.628	0.889	-1.182	0.725	2.026	0.660	42.6
400S162-97	0.1017	50	0.762	2.59	1.813	0.892	31.653	45.333	6658	1207	1.813	0.907	1.542	0.250	0.572	2.628	0.889	-1.182	0.725	2.026	0.660	34.1
400S200-33	0.0346	33	0.310	1.05	0.804	0.338	6.677	11.524	976	595	0.812	0.406	1.619	0.183	0.769	0.124	0.697	-1.688	1.007	2.462	0.530	53.1
400S200-43	0.0451	33	0.402	1.37	1.048	0.490	9.685	16.263	1739	810	1.048	0.524	1.615	0.235	0.764	0.272	0.886	-1.676	1.000	2.450	0.532	53.0
400S200-54	0.0566	33	0.500	1.70	1.292	0.635	12.540	21.322	2603	944	1.292	0.646	1.608	0.287	0.758	0.534	1.083	-1.662	0.993	2.433	0.534	53.0
400S200-54	0.0566	50	0.500	1.70	1.292	0.562	16.840	28.921	3372	1223	1.292	0.646	1.608	0.287	0.758	0.534	1.083	-1.662	0.993	2.433	0.534	42.9
400S200-68	0.0713	33	0.622	2.12	1.589	0.785	17.462	26.228	3215	895	1.590	0.795	1.599	0.349	0.750	1.054	1.318	-1.643	0.983	2.412	0.536	53.2
400S200-68	0.0713	50	0.622	2.12	1.589	0.764	22.876	38.480	4871	1356	1.590	0.795	1.599	0.349	0.750	1.054	1.318	-1.643	0.983	2.412	0.536	42.9
400S200-97	0.1017	33	0.864	2.94	2.156	1.064	24.728	35.569	4394	797	2.156	1.078	1.580	0.463	0.732	2.978	1.749	-1.605	0.963	2.368	0.541	53.8
400S200-97	0.1017	50	0.864	2.94	2.156	1.064	36.690	53.892	6658	1207	2.156	1.078	1.580	0.463	0.732	2.978	1.749	-1.605	0.963	2.368	0.541	43.1
400S250-33 <sup>2</sup>	0.0346	33	0.344	1.17							0.948	0.474	1.660	0.310	0.949	0.137	1.165	-2.151	1.259	2.878	0.441	63.7
400S250-43	0.0451	33	0.447	1.52	1.224	0.514	10.163	17.397	1739	810	1.224	0.612	1.655	0.399	0.945	0.303	1.486	-2.139	1.252	2.865	0.443	63.7
400S250-54	0.0566	33	0.556	1.89	1.512	0.665	13.147	23.240	2603	944	1.512	0.756	1.649	0.490	0.938	0.594	1.821	-2.124	1.244	2.848	0.444	63.8
400S250-54	0.0566	50	0.556	1.89	1.496	0.589	17.647	30.773	3372	1223	1.512	0.756	1.649	0.490	0.938	0.594	1.821	-2.124	1.244	2.848	0.444	51.6
400S250-68	0.0713	33	0.693	2.36	1.865	0.889	19.349	30.768	3215	895	1.865	0.932	1.640	0.599	0.929	1.174	2.225	-2.105	1.235	2.826	0.445	64.0
400S250-68	0.0713	50	0.693	2.36	1.865	0.788	23.605	41.367	4871	1356	1.865	0.932	1.640	0.599	0.929	1.174	2.225	-2.105	1.235	2.826	0.445	51.6
400S250-97	0.1017	33	0.966	3.28	2.542	1.257	28.387	41.944	4394	797	2.542	1.271	1.623	0.801	0.911	3.329	2.978	-2.066	1.214	2.781	0.448	64.8
400S250-97	0.1017	50	0.966	3.28	2.542	1.202	40.436	63.551	6658	1207	2.542	1.271	1.623	0.801	0.911	3.329	2.978	-2.066	1.214	2.781	0.448	51.9
400S300-33 <sup>2</sup>	0.0346	33	0.379	1.29							1.084	0.542	1.692	0.479	1.125	0.151	1.786	-2.621	1.510	3.316	0.375	73.9
400S300-43 <sup>2</sup>	0.0451	33	0.492	1.67							1.400	0.700	1.687	0.617	1.120	0.334	2.282	-2.608	1.503	3.302	0.376	73.9
400S300-54	0.0566	33	0.613	2.09	1.717	0.693	13.685	24.555	2603	944	1.732	0.866	1.681	0.760	1.114	0.655	2.802	-2.594	1.496	3.285	0.377	74.0
400S300-54	0.0566	50	0.613	2.09	1.612	0.605	18.124	32.145	3372	1223	1.732	0.866	1.681	0.760	1.114	0.655	2.802	-2.594	1.496	3.285	0.377	59.9
400S300-68	0.0713	33	0.764	2.60	2.138	0.920	18.185	32.872	3215	895	2.140	1.070	1.673	0.933	1.105	1.295	3.432	-2.574	1.486	3.263	0.378	74.3
400S300-68	0.0713	50	0.764	2.60	2.094	0.819	24.509	43.524	4871	1356	2.140	1.070	1.673	0.933	1.105	1.295	3.432	-2.574	1.486	3.263	0.378	60.0
400S300-97	0.1017	33	1.067	3.63	2.929	1.391	30.800	48.319	4394	797	2.928	1.464	1.656	1.259	1.086	3.679	4.619	-2.535	1.465	3.217	0.379	75.3
400S300-97	0.1017	50	1.067	3.63	2.894	1.307	39.133	68.033	6658	1207	2.928	1.464	1.656	1.259	1.086	3.679	4.619	-2.535	1.465	3.217	0.379	60.3
550S162-33	0.0346	33	0.327	1.11	1.459	0.512	10.112	14.412	699	699	1.459	0.530	2.112	0.113	0.589	0.130	0.713	-1.114	0.697	2.459	0.795	41.4
550S162-43	0.0451	33	0.424	1.44	1.883	0.685	14.886	20.562	1599	1199	1.884	0.685	2.107	0.145	0.584	0.288	0.905	-1.103	0.691	2.449	0.797	41.2
550S162-54	0.0566	33	0.528	1.80	2.324	0.845	18.763	27.453	2739	1666	2.325	0.845	2.098	0.176	0.577	0.564	1.105	-1.090	0.684	2.434	0.800	41.0
550S162-54	0.0566	50	0.528	1.80	2.324	0.822	27.213	36.733	3093	1881	2.325	0.845	2.098	0.176	0.577	0.564	1.105	-1.090	0.684	2.434	0.800	33.2
550S162-68	0.0713	33	0.657	2.24	2.861	1.041	23.722	34.344	4347	2057	2.862	1.041	2.087	0.212	0.569	1.114	1.342	-1.072	0.675	2.414	0.803	40.9
550S162-68	0.0713	50	0.657	2.24	2.861	1.041	35.281	49.422	5350	2532	2.862	1.041	2.087	0.212	0.569	1.114	1.342	-1.072	0.675	2.414	0.803	33.1
550S162-97	0.1017	33	0.915	3.11	3.887	1.413	33.916	46.649	6282	1997	3.887	1.414	2.062	0.276	0.550	3.154	1.775	-1.037	0.656	2.372	0.809	40.8
550S162-97	0.1017	50	0.915	3.11	3.887	1.413	50.136	70.680	9518	3026	3.887	1.414	2.062	0.276	0.550	3.154	1.775	-1.037	0.656	2.372	0.809	32.8
550S200-33	0.0346	33	0.362	1.23	1.678	0.559	11.051	16.365	699	699	1.694	0.616	2.164	0.204	0.751	0.144	1.326	-1.508	0.925	2.743	0.698	51.9
550S200-43	0.0451	33	0.469	1.60	2.189	0.776	15.336	23.328	1550	1199	2.189	0.796	2.159	0.261	0.746	0.318	1.691	-1.496	0.918	2.731	0.700	51.7
550S200-54	0.0566	33	0.585	1.99	2.707	0.984	21.414	31.177	2739	1666	2.707	0.984	2.152	0.320	0.739	0.624	2.072	-1.483	0.911	2.716	0.702	51.6
550S200-54	0.0566	50	0.585	1.99	2.707	0.901	26.987	41.504	3093	1881	2.707	0.984	2.152	0.320	0.739	0.624	2.072	-1.483	0.911	2.716	0.702	41.8
550S200-68	0.0713	33	0.729	2.48	3.341	1.215	27.034	40.096	4347	2057	3											

# Section Properties

## Structural (S) Stud Section Properties

Member	Design Thickness (in)	F <sub>y</sub> (ksi)	Area (in <sup>2</sup> )	Weight (lb/ft)	Effective Properties						Gross Properties					Torsional Properties						
					I <sub>x</sub> (in <sup>4</sup> )	S <sub>x</sub> (in <sup>3</sup> )	M <sub>a</sub> (in-k)	M <sub>nd</sub> (in-k)	V <sub>a</sub> (lb)	V <sub>a,net</sub> (lb)	I <sub>x</sub> (in <sup>4</sup> )	S <sub>x</sub> (in <sup>3</sup> )	R <sub>x</sub> (in)	I <sub>y</sub> (in <sup>4</sup> )	R <sub>y</sub> (in)	J x 1000 (in <sup>6</sup> )	C <sub>w</sub> (in <sup>6</sup> )	X <sub>0</sub> (in)	m (in)	R <sub>0</sub> (in)	b (in)	L <sub>0</sub> (in)
600S162-33	0.0346	33	0.344	1.17	1.793	0.577	11.408	15.814	638	638	1.793	0.598	2.282	0.116	0.581	0.137	0.861	-1.072	0.677	2.588	0.828	41.1
600S162-43	0.0451	33	0.447	1.52	2.316	0.772	16.781	22.651	1416	1240	2.316	0.772	2.277	0.148	0.576	0.303	1.095	-1.062	0.670	2.577	0.830	40.9
600S162-54	0.0566	33	0.556	1.89	2.860	0.953	21.166	30.375	2739	1890	2.861	0.954	2.268	0.180	0.570	0.594	1.337	-1.049	0.663	2.563	0.833	40.7
600S162-54	0.0566	50	0.556	1.89	2.860	0.927	30.714	40.480	2823	1947	2.861	0.954	2.268	0.180	0.570	0.594	1.337	-1.049	0.663	2.563	0.833	33.0
600S162-68	0.0713	33	0.693	2.36	3.525	1.175	26.787	38.783	4347	2339	3.526	1.175	2.256	0.218	0.561	1.174	1.626	-1.032	0.655	2.543	0.835	40.6
600S162-68	0.0713	50	0.693	2.36	3.525	1.175	39.840	54.712	5350	2879	3.526	1.175	2.256	0.218	0.561	1.174	1.626	-1.032	0.655	2.543	0.835	32.8
600S162-97	0.1017	33	0.966	3.28	4.798	1.599	38.380	52.789	6911	2512	4.799	1.600	2.229	0.283	0.542	3.329	2.153	-0.997	0.636	2.501	0.841	40.3
600S162-97	0.1017	50	0.966	3.28	4.798	1.599	56.734	79.984	10472	3806	4.799	1.600	2.229	0.283	0.542	3.329	2.153	-0.997	0.636	2.501	0.841	32.5
600S162-118	0.1242	33	1.158	3.94	5.654	1.885	46.834	62.204	8267	2391	5.655	1.885	2.209	0.322	0.527	5.956	2.487	-0.971	0.623	2.470	0.846	40.2
600S162-118	0.1242	50	1.158	3.94	5.654	1.885	68.954	94.248	12526	3622	5.655	1.885	2.209	0.322	0.527	5.956	2.487	-0.971	0.623	2.470	0.846	32.3
600S200-33	0.0346	33	0.379	1.29	2.058	0.621	12.278	17.982	638	638	2.076	0.692	2.340	0.209	0.743	0.151	1.593	-1.457	0.901	2.855	0.740	51.6
600S200-43	0.0451	33	0.492	1.67	2.683	0.873	17.244	25.707	1416	1240	2.683	0.894	2.335	0.268	0.739	0.334	2.033	-1.446	0.894	2.844	0.742	51.4
600S200-54	0.0566	33	0.613	2.09	3.319	1.106	24.074	34.469	2739	1890	3.320	1.107	2.327	0.329	0.732	0.655	2.493	-1.432	0.887	2.829	0.744	51.3
600S200-54	0.0566	50	0.613	2.09	3.319	1.015	30.397	45.745	2823	1947	3.320	1.107	2.327	0.329	0.732	0.655	2.493	-1.432	0.887	2.829	0.744	41.6
600S200-68	0.0713	33	0.764	2.60	4.101	1.367	30.419	45.117	4347	2339	4.102	1.367	2.316	0.400	0.723	1.295	3.047	-1.415	0.878	2.809	0.746	51.2
600S200-68	0.0713	50	0.764	2.60	4.101	1.337	44.385	61.801	5350	2879	4.102	1.367	2.316	0.400	0.723	1.295	3.047	-1.415	0.878	2.809	0.746	41.4
600S200-97	0.1017	33	1.067	3.63	5.613	1.871	43.500	61.749	6911	2512	5.614	1.871	2.293	0.530	0.705	3.679	4.080	-1.378	0.859	2.767	0.752	51.1
600S200-97	0.1017	50	1.067	3.63	5.613	1.871	64.544	93.559	10472	3806	5.614	1.871	2.293	0.530	0.705	3.679	4.080	-1.378	0.859	2.767	0.752	41.2
600S200-118	0.1242	33	1.283	4.36	6.643	2.214	53.066	73.077	8267	2391	6.643	2.214	2.276	0.612	0.691	6.595	4.753	-1.351	0.845	2.736	0.756	51.1
600S200-118	0.1242	50	1.283	4.36	6.643	2.214	78.456	110.723	12526	3622	6.643	2.214	2.276	0.612	0.691	6.595	4.753	-1.351	0.845	2.736	0.756	41.1
600S250-43	0.0451	33	0.537	1.83	3.083	0.918	18.140	27.076	1416	1240	3.083	1.028	2.396	0.458	0.923	0.364	3.411	-1.874	1.136	3.179	0.652	62.4
600S250-54	0.0566	33	0.670	2.28	3.819	1.159	22.898	36.580	2739	1890	3.820	1.273	2.389	0.562	0.917	0.715	4.194	-1.860	1.129	3.163	0.654	62.3
600S250-54	0.0566	50	0.670	2.28	3.766	1.069	32.003	47.966	2823	1947	3.820	1.273	2.389	0.562	0.917	0.715	4.194	-1.860	1.129	3.163	0.654	50.5
600S250-68	0.0713	33	0.836	2.84	4.727	1.522	33.145	49.167	4347	2339	4.728	1.576	2.379	0.688	0.908	1.416	5.145	-1.842	1.119	3.142	0.657	62.2
600S250-68	0.0713	50	0.836	2.84	4.724	1.386	41.495	65.271	5350	2879	4.728	1.576	2.379	0.688	0.908	1.416	5.145	-1.842	1.119	3.142	0.657	50.4
600S250-97	0.1017	33	1.169	3.98	6.497	2.166	48.919	71.479	6911	2512	6.498	2.166	2.358	0.923	0.889	4.030	6.947	-1.803	1.100	3.099	0.661	62.2
600S250-97	0.1017	50	1.169	3.98	6.497	2.079	69.936	102.860	10472	3806	6.498	2.166	2.358	0.923	0.889	4.030	6.947	-1.803	1.100	3.099	0.661	50.2
600S250-118	0.1242	33	1.407	4.79	7.715	2.572	59.598	84.869	8267	2391	7.715	2.572	2.342	1.076	0.875	7.234	8.142	-1.775	1.085	3.066	0.665	62.4
600S250-118	0.1242	50	1.407	4.79	7.715	2.552	87.782	128.590	12526	3622	7.715	2.572	2.342	1.076	0.875	7.234	8.142	-1.775	1.085	3.066	0.665	50.1
600S300-54	0.0566	33	0.726	2.47	4.269	1.211	23.934	38.085	2739	1890	4.320	1.440	2.439	0.875	1.098	0.775	6.452	-2.299	1.372	3.527	0.575	72.8
600S300-54	0.0566	50	0.726	2.47	4.015	1.106	33.129	49.485	2823	1947	4.320	1.440	2.439	0.875	1.098	0.775	6.452	-2.299	1.372	3.527	0.575	59.1
600S300-68	0.0713	33	0.907	3.09	5.344	1.581	31.236	51.592	4347	2339	5.355	1.785	2.430	1.075	1.089	1.537	7.937	-2.280	1.363	3.506	0.577	72.8
600S300-68	0.0713	50	0.907	3.09	5.222	1.446	43.300	67.704	5350	2879	5.355	1.785	2.430	1.075	1.089	1.537	7.937	-2.280	1.363	3.506	0.577	58.9
600S300-97	0.1017	33	1.271	4.32	7.382	2.367	52.403	80.594	6911	2512	7.383	2.461	2.410	1.454	1.070	4.381	10.776	-2.241	1.343	3.461	0.581	72.9
600S300-97	0.1017	50	1.271	4.32	7.281	2.248	67.293	108.045	10472	3806	7.383	2.461	2.410	1.454	1.070	4.381	10.776	-2.241	1.343	3.461	0.581	58.8
600S300-118	0.1242	33	1.531	5.21	8.787	2.882	65.241	96.661	8371	2463	8.787	2.929	2.396	1.705	1.055	7.872	12.683	-2.212	1.328	3.427	0.583	73.2
600S300-118	0.1242	50	1.531	5.21	8.787	2.804	94.493	138.957	12684	3732	8.787	2.929	2.396	1.705	1.055	7.872	12.683	-2.212	1.328	3.427	0.583	58.9
600S350-54	0.0566	33	0.825	2.81	4.912	1.453	28.704	46.735	2739	1890	5.023	1.674	2.467	1.491	1.344	0.881	12.942	-3.037	1.787	4.137	0.461	91.8
600S350-54	0.0566	50	0.825	2.81	4.722	1.335	39.976	61.070	2823	1947	5.023	1.674	2.467	1.491	1.344	0.881	12.942	-3.037	1.787	4.137	0.461	74.4
600S350-68	0.0713	33	1.032	3.51	6.237	1.949	38.507	62.858	4347	2339	6.238	2.079	2.459	1.841	1.336	1.748	15.968	-3.018	1.777	4.116	0.462	91.8
600S350-68	0.0713	50	1.032	3.51	6.167	1.771	53.020	83.013	5350	2879	6.238	2.079	2.459	1.841	1.336	1.748	15.968	-3.018	1.777	4.116	0.462	74.4
600S350-97	0.1017	33	1.449	4.93	8.632	2.870	62.589	94.963	6911	2512	8.633	2.878	2.441	2.518	1.318	4.994	21.811	-2.979	1.757	4.071	0.464	92.1
600S350-97	0.1017	50	1.449	4.93	8.632	2.594	77.650	130.895	10472	3806	8.633	2.878	2.441	2.518	1.318	4.994	21.811	-2.979	1.757	4.071	0.464	74.4
600S350-118	0.1242	33	1.748	5.95	10.306	3.435	76.409	113.369	8267	2391	10.306	3.435	2.428	2.979	1.305	8.990	25.971	-2.951	1.742	4.038	0.466	92.5
600S350-118	0.1242	50	1.748	5.95	10.306	3.303	109.609	167.079	12526	3622	10.306	3.435	2.428	2.979	1.305	8.990	25.971	-2.951	1.742	4.038	0.466	74.5
800S137-33'	0.0346	33	0.388	1.32	2.998	0.622	12.296	17.900	474	474	3.199	0.800	2.873	0.073	0.435	0.155	0.957	-0.696	0.460	2.988	0.946	32.5
800S137-43	0.0451	33	0.503	1.71	4.001	0.896	17.702	26.361	1051	1051	4.135	1.034	2.866	0.093	0.430	0.341	1.214	-0.687	0.454	2.979	0.947	32.2
800S137-54	0.0566	33	0.627	2.13	5.077	1.179	23.290	36.326	2091	2091	5.111	1.278	2.855	0.112	0.423	0.670	1.478	-0.676	0.448	2.964	0.948	32.0
800S137-54	0.0566	50	0.627	2.13	4.974	1.083	32.426	47.711	2091	2091	5.111	1.278	2.855	0.112	0.423	0.670	1.478	-0.676	0.448	2.964	0.948	25.9
800S137-68	0.0713	33	0.782	2.66	6.303	1.541	30.452	49.712	4221	3367	6.305	1.576	2.839	0.134	0.414	1.325	1.789					

# Section Properties



## Structural (S) Stud Section Properties

Member	Design Thickness (in)	Fy (ksi)	Area (in <sup>2</sup> )	Weight (lb/ft)	Effective Properties						Gross Properties					Torsional Properties					L <sub>u</sub> (in)	
					I <sub>x</sub> (in <sup>4</sup> )	S <sub>x</sub> (in <sup>3</sup> )	M <sub>a</sub> (in-k)	M <sub>nd</sub> (in-k)	V <sub>a</sub> (lb)	V <sub>a,net</sub> (lb)	I <sub>x</sub> (in <sup>4</sup> )	S <sub>x</sub> (in <sup>3</sup> )	R <sub>x</sub> (in)	I <sub>y</sub> (in <sup>4</sup> )	R <sub>y</sub> (in)	J x 1000 (in <sup>6</sup> )	C <sub>w</sub> (in <sup>6</sup> )	X <sub>0</sub> (in)	m (in)	R <sub>0</sub> (in)		b (in)
800S200-33 <sup>1</sup>	0.0346	33	0.448	1.52	4.096	0.816	16.122	24.262	474	474	4.097	1.024	3.024	0.227	0.712	0.179	2.971	-1.288	0.817	3.363	0.853	50.6
800S200-43	0.0451	33	0.582	1.98	5.302	1.293	25.544	35.060	1051	1051	5.303	1.326	3.018	0.292	0.708	0.395	3.797	-1.277	0.811	3.353	0.855	50.3
800S200-54	0.0566	33	0.726	2.47	6.573	1.643	35.751	47.569	2091	2091	6.574	1.644	3.009	0.357	0.701	0.775	4.663	-1.265	0.804	3.338	0.856	50.1
800S200-54	0.0566	50	0.726	2.47	6.573	1.499	44.872	62.435	2091	2091	6.574	1.644	3.009	0.357	0.701	0.775	4.663	-1.265	0.804	3.338	0.856	40.7
800S200-68	0.0713	33	0.907	3.09	8.141	2.035	45.290	64.206	4221	3367	8.143	2.036	2.996	0.435	0.692	1.537	5.712	-1.248	0.796	3.319	0.859	49.9
800S200-68	0.0713	50	0.907	3.09	8.141	1.993	66.151	85.406	4221	3367	8.143	2.036	2.996	0.435	0.692	1.537	5.712	-1.248	0.796	3.319	0.859	40.4
800S200-97	0.1017	33	1.271	4.32	11.204	2.801	65.127	92.456	8843	4824	11.207	2.802	2.970	0.577	0.674	4.381	7.684	-1.214	0.777	3.278	0.863	49.5
800S200-97	0.1017	50	1.271	4.32	11.204	2.801	96.633	135.593	10885	5938	11.207	2.802	2.970	0.577	0.674	4.381	7.684	-1.214	0.777	3.278	0.863	40.5
800S200-118	0.1242	33	1.531	5.21	13.317	3.329	79.791	109.890	11341	4971	13.320	3.330	2.950	0.666	0.659	7.872	8.981	-1.188	0.764	3.248	0.866	49.3
800S200-118	0.1242	50	1.531	5.21	13.317	3.329	117.967	166.500	16235	7115	13.320	3.330	2.950	0.666	0.659	7.872	8.981	-1.188	0.764	3.248	0.866	39.7
800S250-43	0.0451	33	0.627	2.13	6.015	1.314	25.956	36.849	1051	1051	6.017	1.504	3.097	0.500	0.893	0.425	6.374	-1.675	1.043	3.632	0.878	61.5
800S250-54	0.0566	33	0.783	2.66	7.466	1.712	33.824	50.226	2091	2091	7.467	1.867	3.089	0.614	0.886	0.836	7.850	-1.661	1.036	3.617	0.789	61.4
800S250-54	0.0566	50	0.783	2.66	7.378	1.525	45.664	65.371	2091	2091	7.467	1.867	3.089	0.614	0.886	0.836	7.850	-1.661	1.036	3.617	0.789	49.8
800S250-68	0.0713	33	0.978	3.33	9.261	2.240	48.772	68.256	4221	3367	9.263	2.316	3.077	0.752	0.877	1.658	9.652	-1.644	1.027	3.597	0.791	61.2
800S250-68	0.0713	50	0.978	3.33	9.241	2.059	61.654	89.808	4221	3367	9.263	2.316	3.077	0.752	0.877	1.658	9.652	-1.644	1.027	3.597	0.791	49.6
800S250-97	0.1017	33	1.372	4.67	12.790	3.198	72.226	105.541	8843	4824	12.793	3.198	3.053	1.009	0.858	4.731	13.091	-1.607	1.008	3.555	0.796	60.8
800S250-97	0.1017	50	1.372	4.67	12.790	3.076	103.459	144.212	10885	5938	12.793	3.198	3.053	1.009	0.858	4.731	13.091	-1.607	1.008	3.555	0.796	49.2
800S250-118	0.1242	33	1.655	5.63	15.243	3.811	88.318	125.779	11341	4971	15.246	3.811	3.035	1.176	0.843	8.511	15.395	-1.580	0.994	3.524	0.799	60.7
800S250-118	0.1242	50	1.655	5.63	15.243	3.782	130.117	185.945	16235	7115	15.246	3.811	3.035	1.176	0.843	8.511	15.395	-1.580	0.994	3.524	0.799	49.0
800S300-54	0.0566	33	0.839	2.86	8.249	1.785	35.279	52.000	2091	2091	8.360	2.090	3.156	0.959	1.069	0.896	12.076	-2.073	1.271	3.924	0.721	72.2
800S300-54	0.0566	50	0.839	2.86	7.863	1.535	45.966	67.199	2091	2091	8.360	2.090	3.156	0.959	1.069	0.896	12.076	-2.073	1.271	3.924	0.721	58.6
800S300-68	0.0713	33	1.050	3.57	10.351	2.321	45.863	71.068	4221	3367	10.384	2.596	3.145	1.179	1.060	1.779	14.888	-2.055	1.262	3.904	0.723	72.0
800S300-68	0.0713	50	1.050	3.57	10.084	2.145	64.217	92.667	4221	3367	10.384	2.596	3.145	1.179	1.060	1.779	14.888	-2.055	1.262	3.904	0.723	58.4
800S300-97	0.1017	33	1.474	5.01	14.377	3.463	76.661	112.972	8843	4824	14.379	3.595	3.123	1.595	1.040	5.082	20.304	-2.017	1.243	3.861	0.727	71.8
800S300-97	0.1017	50	1.474	5.01	14.172	3.304	98.929	150.175	10885	5938	14.379	3.595	3.123	1.595	1.040	5.082	20.304	-2.017	1.243	3.861	0.727	58.1
800S300-118	0.1242	33	1.779	6.05	17.169	4.226	95.654	141.669	11341	4971	17.172	4.293	3.107	1.872	1.026	9.149	23.979	-1.989	1.229	3.829	0.730	71.7
800S300-118	0.1242	50	1.779	6.05	17.169	4.118	138.744	195.248	16235	7115	17.172	4.293	3.107	1.872	1.026	9.149	23.979	-1.989	1.229	3.829	0.730	57.9
800S350-54	0.0566	33	0.938	3.19	9.478	2.125	41.984	63.956	2091	2091	9.685	2.421	3.213	1.646	1.324	1.002	22.897	-2.766	1.668	4.442	0.612	90.0
800S350-54	0.0566	50	0.938	3.19	9.191	1.869	55.970	83.091	2091	2091	9.685	2.421	3.213	1.646	1.324	1.002	22.897	-2.766	1.668	4.442	0.612	73.1
800S350-68	0.0713	33	1.174	4.00	12.046	2.838	56.073	86.671	4221	3367	12.048	3.012	3.203	2.034	1.316	1.990	28.308	-2.748	1.658	4.421	0.614	89.9
800S350-68	0.0713	50	1.174	4.00	11.910	2.596	77.739	113.673	4221	3367	12.048	3.012	3.203	2.034	1.316	1.990	28.308	-2.748	1.658	4.421	0.614	72.9
800S350-97	0.1017	33	1.652	5.62	16.739	4.173	91.005	135.717	8843	4824	16.741	4.185	3.183	2.784	1.298	5.696	38.834	-2.710	1.639	4.378	0.617	89.8
800S350-97	0.1017	50	1.652	5.62	16.739	3.786	113.350	181.542	10885	5938	16.741	4.185	3.183	2.784	1.298	5.696	38.834	-2.710	1.639	4.378	0.617	72.7
800S350-118	0.1242	33	1.997	6.79	20.043	5.011	111.451	165.375	11341	4971	20.045	5.011	3.168	3.296	1.285	10.267	46.068	-2.682	1.624	4.346	0.619	89.9
800S350-118	0.1242	50	1.997	6.79	20.043	4.813	159.702	233.871	16235	7115	20.045	5.011	3.168	3.296	1.285	10.267	46.068	-2.682	1.624	4.346	0.619	72.6
1000S162-43 <sup>1</sup>	0.0451	33	0.627	2.13	7.523	1.302	25.737	37.577	836	836	8.028	1.606	3.577	0.168	0.518	0.425	3.430	-0.823	0.545	3.707	0.951	38.8
1000S162-54	0.0566	33	0.783	2.66	9.628	1.722	34.023	51.979	1661	1661	9.954	1.991	3.566	0.204	0.511	0.836	4.198	-0.812	0.538	3.693	0.952	38.5
1000S162-54	0.0566	50	0.783	2.66	9.391	1.572	47.068	67.455	1661	1661	9.954	1.991	3.566	0.204	0.511	0.836	4.198	-0.812	0.538	3.693	0.952	31.3
1000S162-68	0.0713	33	0.978	3.33	12.257	2.276	44.980	71.702	3345	3345	12.330	2.466	3.550	0.247	0.502	1.658	5.121	-0.798	0.531	3.673	0.953	38.2
1000S162-68	0.0713	50	0.978	3.33	11.979	2.155	64.509	94.169	3345	3345	12.330	2.466	3.550	0.247	0.502	1.658	5.121	-0.798	0.531	3.673	0.953	31.0
1000S162-97	0.1017	33	1.372	4.67	16.968	3.394	81.435	112.026	8843	6434	16.974	3.395	3.517	0.320	0.483	4.731	6.827	-0.768	0.514	3.632	0.955	37.5
1000S162-97	0.1017	50	1.372	4.67	16.968	3.270	97.896	154.664	9864	7177	16.974	3.395	3.517	0.320	0.483	4.731	6.827	-0.768	0.514	3.632	0.955	30.4
1000S162-118	0.1242	33	1.655	5.63	20.171	4.034	100.250	133.170	13189	7747	20.177	4.035	3.491	0.364	0.469	8.511	7.924	-0.746	0.502	3.601	0.957	37.1
1000S162-118	0.1242	50	1.655	5.63	20.171	4.034	147.601	201.090	16235	9536	20.177	4.035	3.491	0.364	0.469	8.511	7.924	-0.746	0.502	3.601	0.957	30.0
1000S200-43 <sup>1</sup>	0.0451	33	0.672	2.29	8.603	1.470	29.052	43.684	836	836	9.088	1.818	3.676	0.309	0.677	0.456	6.236	-1.147	0.743	3.910	0.914	49.3
1000S200-54	0.0566	33	0.839	2.86	10.954	1.984	39.202	59.920	1661	1661	11.282	2.256	3.666	0.378	0.671	0.896	7.665	-1.135	0.737	3.896	0.915	49.1
1000S200-54	0.0566	50	0.839	2.86	10.770	1.705	51.055	77.888	1661	1661	11.282	2.256	3.666	0.378	0.671	0.896	7.665	-1.135	0.737	3.896	0.915	39.8
1000S200-68	0.0713	33	1.050	3.57	13.921	2.607	51.515	81.983	3345	3345	13.999	2.800	3.652	0.460	0.662	1.779	9.401	-1.120	0.729	3.877	0.917	48.8
1000S200-68	0.0713	50	1.050	3.57	13.666	2.420	72.468	107.772	3345	3345	13.999	2.800	3.652	0.460	0.662	1.779	9.401	-1.120	0.729	3.877	0.917	39.6
1000S200-97	0.1017	33	1.474	5.01																		



# Section Properties

## Structural (S) Stud Section Properties

Member	Design Thickness (in)	F <sub>y</sub> (ksi)	Area (in <sup>2</sup> )	Weight (lb/ft)	Effective Properties						Gross Properties					Torsional Properties						
					I <sub>x</sub> (in <sup>4</sup> )	S <sub>x</sub> (in <sup>3</sup> )	M <sub>a</sub> (in-k)	M <sub>nd</sub> (in-k)	V <sub>a</sub> (lb)	V <sub>a,net</sub> (lb)	I <sub>x</sub> (in <sup>4</sup> )	S <sub>x</sub> (in <sup>3</sup> )	R <sub>x</sub> (in)	I <sub>y</sub> (in <sup>4</sup> )	R <sub>y</sub> (in)	J x 1000 (in <sup>6</sup> )	C <sub>w</sub> (in <sup>6</sup> )	X <sub>0</sub> (in)	m (in)	R <sub>0</sub> (in)	b (in)	L <sub>0</sub> (in)
1000S300-54	0.0566	33	0.953	3.24	13.938	2.312	45.695	65.846	1661	1661	14.080	2.816	3.845	1.024	1.037	1.017	19.888	-1.892	1.185	4.409	0.816	71.5
1000S300-54	0.0566	50	0.953	3.24	13.441	1.903	56.965	84.692	1661	1661	14.080	2.816	3.845	1.024	1.037	1.017	19.888	-1.892	1.185	4.409	0.816	58.0
1000S300-68	0.0713	33	1.192	4.06	17.442	3.158	62.411	90.697	3345	3345	17.513	3.503	3.833	1.258	1.027	2.020	24.551	-1.874	1.176	4.389	0.818	71.3
1000S300-68	0.0713	50	1.192	4.06	17.099	2.802	83.900	117.611	3345	3345	17.513	3.503	3.833	1.258	1.027	2.020	24.551	-1.874	1.176	4.389	0.818	57.8
1000S300-97	0.1017	33	1.677	5.71	24.319	4.696	103.953	146.387	8843	6434	24.325	4.865	3.808	1.703	1.007	5.783	33.570	-1.838	1.158	4.347	0.821	70.8
1000S300-97	0.1017	50	1.677	5.71	23.972	4.499	134.701	193.189	9864	7177	24.325	4.865	3.808	1.703	1.007	5.783	33.570	-1.838	1.158	4.347	0.821	57.4
1000S300-118	0.1242	33	2.028	6.90	29.111	5.736	129.843	189.412	13189	7747	29.117	5.823	3.789	1.998	0.993	10.427	39.725	-1.811	1.144	4.316	0.824	70.6
1000S300-118	0.1242	50	2.028	6.90	29.111	5.599	188.641	253.535	16235	9536	29.117	5.823	3.789	1.998	0.993	10.427	39.725	-1.811	1.144	4.316	0.824	57.1
1000S350-54	0.0566	33	1.052	3.58	15.943	2.772	54.774	81.349	1661	1661	16.223	3.245	3.928	1.768	1.297	1.123	36.575	-2.546	1.566	4.857	0.725	88.9
1000S350-54	0.0566	50	1.052	3.58	15.578	2.328	69.698	105.192	1661	1661	16.223	3.245	3.928	1.768	1.297	1.123	36.575	-2.546	1.566	4.857	0.725	72.2
1000S350-68	0.0713	33	1.317	4.48	20.205	3.824	75.573	110.917	3345	3345	20.209	4.042	3.917	2.185	1.288	2.232	45.277	-2.529	1.557	4.837	0.727	88.7
1000S350-68	0.0713	50	1.317	4.48	20.027	3.418	102.330	144.665	3345	3345	20.209	4.042	3.917	2.185	1.288	2.232	45.277	-2.529	1.557	4.837	0.727	72.0
1000S350-97	0.1017	33	1.855	6.31	28.149	5.614	122.430	175.820	8843	6434	28.154	5.631	3.895	2.992	1.270	6.397	62.280	-2.492	1.538	4.795	0.730	88.4
1000S350-97	0.1017	50	1.855	6.31	28.149	5.119	153.256	233.446	9864	7177	28.154	5.631	3.895	2.992	1.270	6.397	62.280	-2.492	1.538	4.795	0.730	71.6
1000S350-118	0.1242	33	2.245	7.64	33.774	6.755	150.241	222.945	13189	7747	33.780	6.756	3.879	3.544	1.256	11.544	74.030	-2.465	1.524	4.764	0.732	88.3
1000S350-118	0.1242	50	2.245	7.64	33.774	6.492	215.421	302.974	16235	9536	33.780	6.756	3.879	3.544	1.256	11.544	74.030	-2.465	1.524	4.764	0.732	71.4
1200S162-54 <sup>1</sup>	0.0566	33	0.896	3.05	14.744	2.109	41.679	60.783	1377	1377	15.736	2.623	4.191	0.212	0.486	0.957	6.340	-0.732	0.493	4.282	0.971	37.5
1200S162-54 <sup>1</sup>	0.0566	50	0.896	3.05	14.299	1.914	57.315	78.132	1377	1377	15.736	2.623	4.191	0.212	0.486	0.957	6.340	-0.732	0.493	4.282	0.971	30.5
1200S162-68	0.0713	33	1.121	3.81	18.956	2.817	55.659	85.149	2771	2771	19.526	3.254	4.174	0.255	0.477	1.899	7.739	-0.719	0.485	4.262	0.972	37.2
1200S162-68	0.0713	50	1.121	3.81	18.391	2.645	79.198	110.523	2771	2771	19.526	3.254	4.174	0.255	0.477	1.899	7.739	-0.719	0.485	4.262	0.972	30.2
1200S162-97	0.1017	33	1.576	5.36	26.967	4.327	85.511	140.133	8147	7411	26.977	4.496	4.138	0.332	0.459	5.433	10.331	-0.691	0.470	4.220	0.973	36.4
1200S162-97	0.1017	50	1.576	5.36	26.738	4.091	122.496	186.002	8147	7411	26.977	4.496	4.138	0.332	0.459	5.433	10.331	-0.691	0.470	4.220	0.973	29.5
1200S162-118	0.1242	33	1.904	6.48	32.146	5.358	133.142	176.870	13189	9714	32.158	5.360	4.110	0.377	0.445	9.788	12.002	-0.670	0.459	4.188	0.974	35.9
1200S162-118	0.1242	50	1.904	6.48	32.146	5.169	154.749	246.049	14986	11037	32.158	5.360	4.110	0.377	0.445	9.788	12.002	-0.670	0.459	4.188	0.974	29.0
1200S200-54 <sup>1</sup>	0.0566	33	0.953	3.24	16.679	2.425	47.928	70.952	1377	1377	17.668	2.945	4.307	0.394	0.643	1.017	11.550	-1.032	0.681	4.475	0.947	48.0
1200S200-54 <sup>1</sup>	0.0566	50	0.953	3.24	16.335	2.073	62.070	91.459	1377	1377	17.668	2.945	4.307	0.394	0.643	1.017	11.550	-1.032	0.681	4.475	0.947	39.0
1200S200-68	0.0713	33	1.192	4.06	21.378	3.216	63.543	98.295	2771	2771	21.955	3.659	4.291	0.479	0.634	2.020	14.176	-1.017	0.673	4.456	0.948	47.7
1200S200-68	0.0713	50	1.192	4.06	20.865	2.963	88.717	127.916	2771	2771	21.955	3.659	4.291	0.479	0.634	2.020	14.176	-1.017	0.673	4.456	0.948	38.7
1200S200-97	0.1017	33	1.677	5.71	30.418	4.899	96.814	159.461	8147	7411	30.428	5.071	4.259	0.635	0.615	5.783	19.150	-0.987	0.656	4.415	0.950	47.0
1200S200-97	0.1017	50	1.677	5.71	30.177	4.660	139.522	211.994	8147	7411	30.428	5.071	4.259	0.635	0.615	5.783	19.150	-0.987	0.656	4.415	0.950	38.1
1200S200-118	0.1242	33	2.028	6.90	36.349	6.058	145.193	199.984	13189	9714	36.361	6.060	4.235	0.733	0.601	10.427	22.451	-0.964	0.644	4.384	0.952	46.6
1200S200-118	0.1242	50	2.028	6.90	36.349	5.865	175.606	278.729	14986	11037	36.361	6.060	4.235	0.733	0.601	10.427	22.451	-0.964	0.644	4.384	0.952	37.7
1200S250-54 <sup>1</sup>	0.0566	33	1.009	3.43	18.832	2.483	49.056	75.906	1377	1377	19.687	3.281	4.417	0.683	0.823	1.078	19.505	-1.378	0.892	4.699	0.914	59.5
1200S250-54 <sup>1</sup>	0.0566	50	1.009	3.43	18.437	2.149	64.342	97.560	1377	1377	19.687	3.281	4.417	0.683	0.823	1.078	19.505	-1.378	0.892	4.699	0.914	48.3
1200S250-68	0.0713	33	1.263	4.30	23.964	3.496	69.085	105.180	2771	2771	24.491	4.082	4.403	0.836	0.813	2.141	24.034	-1.362	0.884	4.680	0.915	59.2
1200S250-68	0.0713	50	1.263	4.30	23.576	3.007	90.044	136.331	2771	2771	24.491	4.082	4.403	0.836	0.813	2.141	24.034	-1.362	0.884	4.680	0.915	48.1
1200S250-97	0.1017	33	1.779	6.05	34.017	5.496	108.605	171.303	8147	7411	34.027	5.671	4.373	1.122	0.794	6.134	32.734	-1.329	0.867	4.639	0.918	58.6
1200S250-97	0.1017	50	1.779	6.05	33.837	5.038	150.828	226.204	8147	7411	34.027	5.671	4.373	1.122	0.794	6.134	32.734	-1.329	0.867	4.639	0.918	47.5
1200S250-118	0.1242	33	2.152	7.32	40.728	6.788	157.317	222.536	13189	9714	40.740	6.790	4.351	1.308	0.780	11.065	38.619	-1.305	0.854	4.609	0.920	58.2
1200S250-118	0.1242	50	2.152	7.32	40.728	6.542	195.856	298.385	14986	11037	40.740	6.790	4.351	1.308	0.780	11.065	38.619	-1.305	0.854	4.609	0.920	47.1
1200S300-54 <sup>1</sup>	0.0566	33	1.066	3.63	21.650	2.736	54.063	79.128	1377	1377	21.705	3.618	4.513	1.074	1.004	1.138	30.051	-1.743	1.111	4.941	0.876	70.7
1200S300-54 <sup>1</sup>	0.0566	50	1.066	3.63	21.045	2.273	68.044	101.336	1377	1377	21.705	3.618	4.513	1.074	1.004	1.138	30.051	-1.743	1.111	4.941	0.876	57.4
1200S300-68	0.0713	33	1.335	4.54	26.919	4.064	80.310	109.807	2771	2771	27.028	4.505	4.500	1.320	0.994	2.262	37.126	-1.726	1.103	4.921	0.877	70.5
1200S300-68	0.0713	50	1.335	4.54	26.510	3.317	99.326	141.669	2771	2771	27.028	4.505	4.500	1.320	0.994	2.262	37.126	-1.726	1.103	4.921	0.877	57.2
1200S300-97	0.1017	33	1.881	6.40	37.617	6.066	134.268	179.785	8147	7411	37.627	6.271	4.473	1.787	0.975	6.484	50.853	-1.691	1.085	4.880	0.880	69.9
1200S300-97	0.1017	50	1.881	6.40	37.087	5.831	174.583	235.687	8147	7411	37.627	6.271	4.473	1.787	0.975	6.484	50.853	-1.691	1.085	4.880	0.880	56.7
1200S300-118	0.1242	33	2.276	7.74	45.107	7.413	167.798	234.957	13189	9714	45.119	7.520	4.452	2.096	0.960	11.704	60.251	-1.666	1.071	4.850	0.882	69.5
1200S300-118	0.1242	50	2.276	7.74	45.107	7.246	244.160	312.001	14986	11037	45.119	7.520	4.452	2.096	0.960	11.704	60.251	-1.666	1.071	4.850	0.882	56.3
1200S350-54 <sup>1</sup>	0.0566	33	1.165	3.96	24.611	3.296	65.125	98.487	1377	1377												

# Section Properties



## Structural (S) Stud Section Properties

Member	Design Thickness (in)	Fy (ksi)	Area (in <sup>2</sup> )	Weight (lb/ft)	Effective Properties						Gross Properties					Torsional Properties					L <sub>u</sub> (in)	
					I <sub>x</sub> (in <sup>4</sup> )	S <sub>x</sub> (in <sup>3</sup> )	M <sub>a</sub> (in-k)	M <sub>nd</sub> (in-k)	V <sub>a</sub> (lb)	V <sub>a,net</sub> (lb)	I <sub>x</sub> (in <sup>4</sup> )	S <sub>x</sub> (in <sup>3</sup> )	R <sub>x</sub> (in)	I <sub>y</sub> (in <sup>4</sup> )	R <sub>y</sub> (in)	J x 1000 (in <sup>4</sup> )	C <sub>w</sub> (in <sup>6</sup> )	X <sub>0</sub> (in)	m (in)	R <sub>0</sub> (in)		b (in)
1400S250-54 <sup>1</sup>	0.0566	33	1.122	3.82	26.759	2.927	57.836	87.026	1177	1177	28.712	4.102	5.058	0.707	0.794	1.198	27.675	-1.272	0.835	5.275	0.942	58.6
1400S250-54 <sup>1</sup>	0.0566	50	1.122	3.82	26.148	2.527	75.653	111.253	1177	1177	28.712	4.102	5.058	0.707	0.794	1.198	27.675	-1.272	0.835	5.275	0.942	47.6
1400S250-68	0.0713	33	1.406	4.78	34.241	4.145	81.905	121.681	2365	2365	35.755	5.108	5.043	0.865	0.784	2.383	34.118	-1.257	0.827	5.256	0.943	58.3
1400S250-68	0.0713	50	1.406	4.78	33.568	3.550	106.300	156.717	2365	2365	35.755	5.108	5.043	0.865	0.784	2.383	34.118	-1.257	0.827	5.256	0.943	47.3
1400S250-97	0.1017	33	1.983	6.74	49.583	6.611	130.646	201.601	6939	6939	49.781	7.112	5.011	1.161	0.765	6.835	46.520	-1.225	0.811	5.215	0.945	57.6
1400S250-97	0.1017	50	1.983	6.74	48.652	6.011	179.961	263.920	6939	6939	49.781	7.112	5.011	1.161	0.765	6.835	46.520	-1.225	0.811	5.215	0.945	46.7
1400S250-118	0.1242	33	2.400	8.17	59.678	8.331	164.623	265.044	12745	11287	59.697	8.528	4.987	1.353	0.751	12.342	54.927	-1.203	0.798	5.185	0.946	57.1
1400S250-118	0.1242	50	2.400	8.17	59.508	7.881	235.959	351.622	12745	11287	59.697	8.528	4.987	1.353	0.751	12.342	54.927	-1.203	0.798	5.185	0.946	46.2
1400S300-54 <sup>1</sup>	0.0566	33	1.179	4.01	29.584	3.019	59.662	91.460	1177	1177	31.463	4.495	5.166	1.115	0.972	1.259	42.690	-1.617	1.046	5.500	0.914	69.9
1400S300-54 <sup>1</sup>	0.0566	50	1.179	4.01	27.235	2.580	77.257	116.657	1177	1177	31.463	4.495	5.166	1.115	0.972	1.259	42.690	-1.617	1.046	5.500	0.914	56.8
1400S300-68	0.0713	33	1.477	5.03	37.904	4.237	83.715	127.842	2365	2365	39.213	5.602	5.152	1.370	0.963	2.503	52.772	-1.601	1.038	5.480	0.915	69.6
1400S300-68	0.0713	50	1.477	5.03	36.295	3.655	109.433	164.161	2365	2365	39.213	5.602	5.152	1.370	0.963	2.503	52.772	-1.601	1.038	5.480	0.915	56.5
1400S300-97	0.1017	33	2.084	7.09	54.577	7.035	139.025	212.201	6939	6939	54.692	7.813	5.123	1.854	0.943	7.186	72.365	-1.568	1.020	5.440	0.917	68.9
1400S300-97	0.1017	50	2.084	7.09	53.232	6.373	190.800	276.459	6939	6939	54.692	7.813	5.123	1.854	0.943	7.186	72.365	-1.568	1.020	5.440	0.917	55.9
1400S300-118	0.1242	33	2.525	8.59	65.657	9.046	178.762	279.936	12745	11287	65.676	9.382	5.100	2.175	0.928	12.981	85.812	-1.544	1.008	5.409	0.919	68.5
1400S300-118	0.1242	50	2.525	8.59	65.574	8.427	252.306	368.970	12745	11287	65.676	9.382	5.100	2.175	0.928	12.981	85.812	-1.544	1.008	5.409	0.919	55.5
1400S350-54 <sup>1</sup>	0.0566	33	1.278	4.35	35.661	3.823	75.545	114.935	1177	1177	35.840	5.120	5.296	1.947	1.234	1.365	76.252	-2.207	1.400	5.868	0.859	87.0
1400S350-54 <sup>1</sup>	0.0566	50	1.278	4.35	33.317	3.249	97.283	147.429	1177	1177	35.840	5.120	5.296	1.947	1.234	1.365	76.252	-2.207	1.400	5.868	0.859	70.7
1400S350-68	0.0713	33	1.602	5.45	44.708	5.701	112.650	158.396	2365	2365	44.719	6.388	5.283	2.406	1.226	2.715	94.534	-2.190	1.391	5.849	0.860	86.8
1400S350-68	0.0713	50	1.602	5.45	44.708	4.710	141.012	204.634	2365	2365	44.719	6.388	5.283	2.406	1.226	2.715	94.534	-2.190	1.391	5.849	0.860	70.4
1400S350-97	0.1017	33	2.262	7.70	62.509	8.906	194.221	256.445	6939	6939	62.525	8.932	5.257	3.296	1.207	7.799	130.430	-2.156	1.373	5.809	0.862	86.2
1400S350-97	0.1017	50	2.262	7.70	62.509	8.190	245.207	336.245	6939	6939	62.525	8.932	5.257	3.296	1.207	7.799	130.430	-2.156	1.373	5.809	0.862	69.9
1400S350-118	0.1242	33	2.742	9.33	75.202	10.743	238.955	333.292	12745	11287	75.221	10.746	5.238	3.904	1.193	14.099	155.387	-2.130	1.360	5.779	0.864	85.9
1400S350-118	0.1242	50	2.742	9.33	75.202	10.354	343.567	442.009	12745	11287	75.221	10.746	5.238	3.904	1.193	14.099	155.387	-2.130	1.360	5.779	0.864	69.6
1600S200-68 <sup>1</sup>	0.0713	33	1.477	5.03	41.918	4.431	87.559	125.519	2062	2062	45.310	5.664	5.538	0.506	0.585	2.503	27.155	-0.862	0.584	5.635	0.977	45.7
1600S200-68 <sup>1</sup>	0.0713	50	1.477	5.03	40.526	4.045	121.112	160.876	2062	2062	45.310	5.664	5.538	0.506	0.585	2.503	27.155	-0.862	0.584	5.635	0.977	37.1
1600S200-97	0.1017	33	2.084	7.09	61.760	6.938	137.104	211.867	6043	6043	63.076	7.885	5.501	0.671	0.567	7.186	36.744	-0.835	0.569	5.593	0.978	44.9
1600S200-97	0.1017	50	2.084	7.09	59.936	6.500	194.617	275.719	6043	6043	63.076	7.885	5.501	0.671	0.567	7.186	36.744	-0.835	0.569	5.593	0.978	36.4
1600S200-118	0.1242	33	2.525	8.59	75.603	8.859	175.061	281.396	11088	11088	75.633	9.454	5.473	0.774	0.554	12.981	43.132	-0.815	0.558	5.561	0.979	44.3
1600S200-118	0.1242	50	2.525	8.59	74.087	8.332	249.451	370.763	11088	11088	75.633	9.454	5.473	0.774	0.554	12.981	43.132	-0.815	0.558	5.561	0.979	35.9
1600S250-68 <sup>1</sup>	0.0713	33	1.549	5.27	46.610	4.793	94.704	136.505	2062	2062	49.832	6.229	5.673	0.889	0.758	2.624	46.230	-1.167	0.778	5.841	0.960	57.3
1600S250-68 <sup>1</sup>	0.0713	50	1.549	5.27	45.551	4.092	122.523	174.836	2062	2062	49.832	6.229	5.673	0.889	0.758	2.624	46.230	-1.167	0.778	5.841	0.960	46.5
1600S250-97	0.1017	33	2.186	7.44	68.162	7.729	152.724	229.712	6043	6043	69.503	8.688	5.639	1.193	0.739	7.536	63.082	-1.138	0.762	5.800	0.962	56.5
1600S250-97	0.1017	50	2.186	7.44	66.581	6.983	209.073	298.464	6043	6043	69.503	8.688	5.639	1.193	0.739	7.536	63.082	-1.138	0.762	5.800	0.962	45.9
1600S250-118	0.1242	33	2.649	9.01	83.429	9.828	194.202	305.220	11088	11088	83.459	10.432	5.613	1.390	0.724	13.620	74.524	-1.116	0.750	5.769	0.963	56.0
1600S250-118	0.1242	50	2.649	9.01	81.927	9.223	276.132	401.187	11088	11088	83.459	10.432	5.613	1.390	0.724	13.620	74.524	-1.116	0.750	5.769	0.963	45.4
1600S300-68 <sup>1</sup>	0.0713	33	1.620	5.51	51.472	4.893	96.684	144.464	2062	2062	54.355	6.794	5.793	1.411	0.933	2.745	71.608	-1.494	0.981	6.055	0.939	68.7
1600S300-68 <sup>1</sup>	0.0713	50	1.620	5.51	49.116	4.210	126.047	184.703	2062	2062	54.355	6.794	5.793	1.411	0.933	2.745	71.608	-1.494	0.981	6.055	0.939	55.8
1600S300-97	0.1017	33	2.288	7.78	74.744	8.203	162.100	242.930	6043	6043	75.929	9.491	5.761	1.910	0.914	7.887	98.275	-1.463	0.964	6.014	0.941	67.9
1600S300-97	0.1017	50	2.288	7.78	72.678	7.391	221.299	314.690	6043	6043	75.929	9.491	5.761	1.910	0.914	7.887	98.275	-1.463	0.964	6.014	0.941	55.1
1600S300-118	0.1242	33	2.773	9.43	91.255	10.638	210.205	323.281	11088	11088	91.284	11.411	5.738	2.240	0.899	14.258	116.606	-1.439	0.951	5.983	0.942	67.4
1600S300-118	0.1242	50	2.773	9.43	89.916	9.836	294.492	423.184	11088	11088	91.284	11.411	5.738	2.240	0.899	14.258	116.606	-1.439	0.951	5.983	0.942	54.7
1600S350-68 <sup>1</sup>	0.0713	33	1.745	5.94	58.539	6.042	119.387	180.517	2062	2062	61.641	7.705	5.944	2.490	1.195	2.957	127.370	-2.055	1.322	6.402	0.897	85.8
1600S350-68 <sup>1</sup>	0.0713	50	1.745	5.94	57.446	5.180	155.096	232.216	2062	2062	61.641	7.705	5.944	2.490	1.195	2.957	127.370	-2.055	1.322	6.402	0.897	69.7
1600S350-97	0.1017	33	2.466	8.39	84.932	9.772	193.097	295.153	6043	6043	86.296	10.787	5.916	3.410	1.176	8.501	175.895	-2.022	1.304	6.362	0.899	85.2
1600S350-97	0.1017	50	2.466	8.39	83.695	8.383	250.974	384.833	6043	6043	86.296	10.787	5.916	3.410	1.176	8.501	175.895	-2.022	1.304	6.362	0.899	69.1
1600S350-118	0.1242	33	2.990	10.17	103.894	12.368	244.390	386.287	11088	11088	103.924	12.990	5.895	4.039	1.162	15.376	209.692	-1.998	1.291	6.332	0.900	84.8
1600S350-118	0.1242	50	2.990	10.17	102.539	11.306	338.489	508.897	11088	11088	103.924	12.990	5.895	4.039	1.162	15.376	209.692	-1.998	1.291	6.332	0.900	68.8



# Section Properties

## (T) Track Section Properties

Member	Design Thickness (in)	F <sub>y</sub> (ksi)	Area (in <sup>2</sup> )	Weight (lb/ft)	Effective Properties				Gross Properties					Torsional Properties					
					I <sub>x</sub> (in <sup>4</sup> )	S <sub>x</sub> (in <sup>3</sup> )	M <sub>a</sub> (in-k)	V <sub>a</sub> (lb)	I <sub>x</sub> (in <sup>4</sup> )	S <sub>x</sub> (in <sup>3</sup> )	R <sub>x</sub> (in)	I <sub>y</sub> (in <sup>4</sup> )	R <sub>y</sub> (in)	J x 1000 (in <sup>6</sup> )	C <sub>w</sub> (in <sup>6</sup> )	X <sub>0</sub> (in)	m (in)	R <sub>0</sub> (in)	b
162T125-18	0.0188	33	0.078	0.26	0.030	0.025	0.497	302	0.042	0.048	0.733	0.013	0.411	0.0091	0.007	-0.876	0.503	1.215	0.479
162T125-27	0.0283	33	0.117	0.40	0.051	0.044	0.869	541	0.063	0.072	0.735	0.020	0.410	0.0312	0.010	-0.872	0.501	1.211	0.482
162T125-30	0.0312	33	0.129	0.44	0.057	0.050	0.996	597	0.070	0.079	0.735	0.022	0.409	0.0417	0.012	-0.870	0.500	1.210	0.483
162T125-33	0.0346	33	0.143	0.49	0.066	0.058	1.152	663	0.077	0.087	0.736	0.024	0.408	0.0569	0.013	-0.868	0.499	1.209	0.484
250T125-18	0.0188	33	0.094	0.32	0.078	0.044	0.875	245	0.104	0.079	1.052	0.015	0.400	0.0111	0.018	-0.767	0.460	1.362	0.682
250T125-27	0.0283	33	0.141	0.48	0.129	0.079	1.557	685	0.157	0.119	1.053	0.022	0.398	0.0378	0.027	-0.763	0.457	1.360	0.685
250T125-30	0.0312	33	0.156	0.53	0.145	0.090	1.771	832	0.173	0.131	1.053	0.025	0.397	0.0506	0.030	-0.762	0.456	1.359	0.686
250T125-33	0.0346	33	0.173	0.59	0.166	0.103	2.034	1024	0.192	0.145	1.054	0.027	0.397	0.0690	0.033	-0.760	0.456	1.358	0.687
250T125-43	0.0451	33	0.225	0.77	0.231	0.147	2.909	1356	0.250	0.188	1.055	0.035	0.395	0.1526	0.042	-0.755	0.453	1.356	0.690
250T125-54	0.0566	33	0.282	0.96	0.310	0.203	4.014	1692	0.318	0.236	1.062	0.043	0.392	0.3015	0.054	-0.749	0.449	1.357	0.696
250T125-54	0.0566	50	0.282	0.96	0.297	0.188	5.642	2563	0.318	0.236	1.062	0.043	0.392	0.3015	0.054	-0.749	0.449	1.357	0.696
250T125-68	0.0713	33	0.355	1.21	0.409	0.281	5.558	2112	0.409	0.297	1.072	0.054	0.389	0.6022	0.069	-0.740	0.444	1.360	0.704
250T125-68	0.0713	50	0.355	1.21	0.403	0.262	7.849	3199	0.409	0.297	1.072	0.054	0.389	0.6022	0.069	-0.740	0.444	1.360	0.704
250T150-27	0.0283	33	0.156	0.53	0.139	0.082	1.611	685	0.181	0.137	1.078	0.037	0.486	0.0415	0.044	-0.976	0.575	1.534	0.595
250T150-30	0.0312	33	0.172	0.58	0.157	0.093	1.835	832	0.200	0.151	1.078	0.040	0.486	0.0557	0.049	-0.975	0.574	1.533	0.595
250T150-33	0.0346	33	0.190	0.65	0.180	0.107	2.110	1024	0.221	0.167	1.079	0.045	0.485	0.0759	0.054	-0.973	0.573	1.532	0.596
250T150-43	0.0451	33	0.248	0.84	0.252	0.154	3.035	1356	0.289	0.217	1.080	0.058	0.483	0.1679	0.070	-0.968	0.570	1.529	0.599
250T150-54	0.0566	33	0.311	1.06	0.342	0.214	4.220	1692	0.368	0.273	1.088	0.072	0.481	0.3317	0.089	-0.961	0.566	1.530	0.605
250T150-54	0.0566	50	0.311	1.06	0.325	0.197	5.893	2563	0.368	0.273	1.088	0.072	0.481	0.3317	0.089	-0.961	0.566	1.530	0.605
250T150-68	0.0713	33	0.391	1.33	0.465	0.299	5.917	2112	0.472	0.344	1.099	0.089	0.478	0.6627	0.114	-0.953	0.561	1.531	0.613
250T150-68	0.0713	50	0.391	1.33	0.445	0.276	8.274	3199	0.472	0.344	1.099	0.089	0.478	0.6627	0.114	-0.953	0.561	1.531	0.613
250T200-33	0.0346	33	0.225	0.76	0.203	0.112	2.221	1024	0.280	0.212	1.117	0.097	0.658	0.0897	0.118	-1.418	0.813	1.922	0.455
250T200-43	0.0451	33	0.293	1.00	0.288	0.163	3.214	1356	0.366	0.275	1.119	0.126	0.656	0.1985	0.153	-1.413	0.810	1.918	0.457
250T200-54	0.0566	33	0.367	1.25	0.396	0.228	4.509	1692	0.466	0.346	1.127	0.157	0.654	0.3921	0.195	-1.405	0.806	1.917	0.462
250T200-54	0.0566	50	0.367	1.25	0.372	0.209	6.253	2563	0.466	0.346	1.127	0.157	0.654	0.3921	0.195	-1.405	0.806	1.917	0.462
250T200-68	0.0713	33	0.462	1.57	0.548	0.324	6.410	2112	0.600	0.437	1.139	0.196	0.652	0.7835	0.251	-1.396	0.800	1.916	0.469
250T200-68	0.0713	50	0.462	1.57	0.517	0.296	8.867	3199	0.600	0.437	1.139	0.196	0.652	0.7835	0.251	-1.396	0.800	1.916	0.469
350T125-18	0.0188	33	0.113	0.38	0.174	0.062	1.215	173	0.220	0.121	1.395	0.017	0.382	0.0133	0.038	-0.675	0.418	1.596	0.821
350T125-27	0.0283	33	0.170	0.58	0.277	0.128	2.529	590	0.331	0.182	1.396	0.025	0.381	0.0453	0.057	-0.670	0.416	1.595	0.823
350T125-30	0.0312	33	0.187	0.64	0.312	0.145	2.862	790	0.365	0.200	1.396	0.027	0.380	0.0607	0.063	-0.669	0.415	1.594	0.824
350T125-33	0.0346	33	0.207	0.71	0.355	0.165	3.267	1024	0.405	0.222	1.397	0.030	0.379	0.0828	0.070	-0.668	0.414	1.594	0.824
350T125-43	0.0451	33	0.270	0.92	0.490	0.233	4.606	1739	0.528	0.288	1.398	0.038	0.377	0.1832	0.090	-0.663	0.412	1.592	0.826
350T125-54	0.0566	33	0.339	1.15	0.651	0.317	6.262	2392	0.668	0.361	1.404	0.048	0.375	0.3619	0.114	-0.658	0.408	1.595	0.830
350T125-54	0.0566	50	0.339	1.15	0.626	0.297	8.896	3372	0.668	0.361	1.404	0.048	0.375	0.3619	0.114	-0.658	0.408	1.595	0.830
350T125-68	0.0713	33	0.427	1.45	0.851	0.433	8.549	2994	0.851	0.454	1.412	0.059	0.372	0.7231	0.144	-0.650	0.403	1.599	0.835
350T125-68	0.0713	50	0.427	1.45	0.839	0.407	12.186	4536	0.851	0.454	1.412	0.059	0.372	0.7231	0.144	-0.650	0.403	1.599	0.835
350T125-97	0.1017	33	0.608	2.07	1.243	0.645	14.566	4213	1.243	0.645	1.430	0.081	0.366	2.0960	0.209	-0.636	0.394	1.607	0.844
350T125-97	0.1017	50	0.608	2.07	1.243	0.645	21.689	6383	1.243	0.645	1.430	0.081	0.366	2.0960	0.209	-0.636	0.394	1.607	0.844
350T150-27	0.0283	33	0.184	0.63	0.298	0.132	2.617	590	0.377	0.207	1.432	0.041	0.470	0.0491	0.094	-0.869	0.529	1.739	0.751
350T150-30	0.0312	33	0.203	0.69	0.336	0.150	2.965	790	0.416	0.228	1.432	0.045	0.470	0.0658	0.103	-0.867	0.528	1.739	0.751
350T150-33	0.0346	33	0.225	0.76	0.382	0.171	3.388	1024	0.461	0.253	1.432	0.049	0.469	0.0897	0.114	-0.866	0.527	1.738	0.752
350T150-43	0.0451	33	0.293	1.00	0.531	0.243	4.799	1739	0.601	0.329	1.433	0.064	0.467	0.1985	0.148	-0.861	0.525	1.736	0.754
350T150-54	0.0566	33	0.367	1.25	0.712	0.332	6.568	2392	0.762	0.412	1.440	0.079	0.465	0.3921	0.187	-0.855	0.521	1.738	0.758
350T150-54	0.0566	50	0.367	1.25	0.679	0.310	9.280	3372	0.762	0.412	1.440	0.079	0.465	0.3921	0.187	-0.855	0.521	1.738	0.758
350T150-68	0.0713	33	0.462	1.57	0.957	0.459	9.068	2994	0.972	0.518	1.450	0.099	0.462	0.7835	0.238	-0.847	0.516	1.742	0.763
350T150-68	0.0713	50	0.462	1.57	0.919	0.428	12.812	4536	0.972	0.518	1.450	0.099	0.462	0.7835	0.238	-0.847	0.516	1.742	0.763
350T150-97	0.1017	33	0.659	2.24	1.422	0.738	16.333	4213	1.423	0.738	1.469	0.137	0.456	2.2713	0.346	-0.831	0.506	1.749	0.774
350T150-97	0.1017	50	0.659	2.24	1.422	0.701	20.983	6383	1.423	0.738	1.469	0.137	0.456	2.2713	0.346	-0.831	0.506	1.749	0.774
350T200-33	0.0346	33	0.259	0.88	0.428	0.181	3.573	1024	0.574	0.315	1.488	0.108	0.646	0.1035	0.249	-1.285	0.761	2.069	0.614
350T200-43	0.0451	33	0.338	1.15	0.601	0.257	5.086	1739	0.749	0.409	1.489	0.140	0.645	0.2291	0.323	-1.280	0.758	2.067	0.616
350T200-54	0.0566	33	0.424	1.44	0.814	0.355	7.014	2392	0.949	0.513	1.497	0.175	0.642	0.4526	0.409	-1.273	0.754	2.067	0.621
350T200-54	0.0566	50	0.424	1.44	0.770	0.329	9.850	3372	0.949	0.513	1.497	0.175	0.642	0.4526	0.409	-1.273	0.754	2.067	0.621
350T200-68	0.0713	33	0.534	1.82	1.112	0.496	9.801	2994	1.213	0.647	1.508	0.218	0.639	0.9043	0.522	-1.264	0.749	2.069	0.627
350T200-68	0.0713	50	0.534	1.82	1.054	0.458	13.716	4536	1.213	0.647	1.508	0.218	0.639	0.9043	0.522	-1.264	0.749	2.069	0.627
350T200-97	0.1017	33	0.761	2.59	1.779	0.831	16.418	4213	1.781	0.924	1.530	0.305	0.633	2.6219	0.765	-1.247	0.738	2.073	0.638
350T200-97	0.1017	50	0.761	2.59	1.708	0.769	23.022	6383	1.781	0.924	1.530	0.305	0.633	2.6219	0.765	-1.247	0.738	2.073	0.638
362T125-18	0.0188	33	0.115	0.39	0.189	0.064	1.258	167	0.238	0.127	1.437	0.017	0.380	0.0136	0.042	-0.665	0.413	1.628	0.833
362T125-27	0.0283	33	0.173</																

# Section Properties

## (T) Track Section Properties

Member	Design Thickness (in)	F <sub>y</sub> (ksi)	Area (in <sup>2</sup> )	Weight (lb/ft)	Effective Properties				Gross Properties					Torsional Properties					
					I <sub>x</sub> (in <sup>4</sup> )	S <sub>x</sub> (in <sup>3</sup> )	M <sub>s</sub> (in-k)	V <sub>a</sub> (lb)	I <sub>x</sub> (in <sup>4</sup> )	S <sub>x</sub> (in <sup>3</sup> )	R <sub>x</sub> (in)	I <sub>y</sub> (in <sup>4</sup> )	R <sub>y</sub> (in)	J x 1000 (in <sup>6</sup> )	C <sub>w</sub> (in <sup>6</sup> )	X <sub>0</sub> (in)	m (in)	R <sub>0</sub> (in)	b (in)
362T125-54	0.0566	50	0.346	1.18	0.678	0.312	9.343	3372	0.723	0.378	1.445	0.048	0.373	0.3695	0.123	-0.648	0.404	1.627	0.841
362T125-68	0.0713	33	0.436	1.48	0.921	0.453	8.956	3104	0.921	0.475	1.454	0.060	0.370	0.7382	0.156	-0.641	0.399	1.631	0.846
362T125-68	0.0713	50	0.436	1.48	0.908	0.427	12.778	4703	0.921	0.475	1.454	0.060	0.370	0.7382	0.156	-0.641	0.399	1.631	0.846
362T125-97	0.1017	33	0.621	2.11	1.343	0.675	15.245	4339	1.344	0.675	1.471	0.082	0.364	2.1398	0.226	-0.626	0.390	1.640	0.854
362T125-97	0.1017	50	0.621	2.11	1.343	0.675	22.700	6574	1.344	0.675	1.471	0.082	0.364	2.1398	0.226	-0.626	0.390	1.640	0.854
362T150-27	0.0283	33	0.187	0.64	0.323	0.140	2.757	569	0.408	0.217	1.475	0.041	0.468	0.0500	0.102	-0.857	0.524	1.769	0.765
362T150-30	0.0312	33	0.207	0.70	0.364	0.158	3.121	762	0.450	0.239	1.475	0.045	0.467	0.0670	0.112	-0.856	0.523	1.768	0.766
362T150-33	0.0346	33	0.229	0.78	0.414	0.180	3.565	1024	0.499	0.264	1.475	0.050	0.467	0.0914	0.124	-0.854	0.522	1.768	0.766
362T150-43	0.0451	33	0.298	1.02	0.575	0.255	5.041	1739	0.650	0.344	1.476	0.064	0.465	0.2023	0.160	-0.850	0.519	1.766	0.768
362T150-54	0.0566	33	0.374	1.27	0.770	0.349	6.889	2480	0.823	0.431	1.483	0.080	0.462	0.3997	0.202	-0.844	0.516	1.768	0.772
362T150-54	0.0566	50	0.374	1.27	0.735	0.325	9.744	3372	0.823	0.431	1.483	0.080	0.462	0.3997	0.202	-0.844	0.516	1.768	0.772
362T150-68	0.0713	33	0.471	1.60	1.034	0.481	9.496	3104	1.050	0.542	1.493	0.100	0.460	0.7986	0.257	-0.836	0.511	1.771	0.777
362T150-68	0.0713	50	0.471	1.60	0.993	0.449	13.431	4703	1.050	0.542	1.493	0.100	0.460	0.7986	0.257	-0.836	0.511	1.771	0.777
362T150-97	0.1017	33	0.672	2.28	1.535	0.771	17.069	4339	1.535	0.771	1.512	0.138	0.453	2.3152	0.374	-0.820	0.501	1.779	0.787
362T150-97	0.1017	50	0.672	2.28	1.535	0.733	21.944	6574	1.535	0.771	1.512	0.138	0.453	2.3152	0.374	-0.820	0.501	1.779	0.787
362T200-33	0.0346	33	0.264	0.90	0.464	0.190	3.760	1024	0.619	0.329	1.533	0.110	0.645	0.1052	0.269	-1.270	0.754	2.092	0.631
362T200-43	0.0451	33	0.343	1.17	0.650	0.270	5.343	1739	0.808	0.427	1.534	0.142	0.643	0.2329	0.350	-1.265	0.752	2.090	0.633
362T200-54	0.0566	33	0.431	1.47	0.879	0.372	7.356	2480	1.024	0.536	1.542	0.177	0.640	0.4601	0.442	-1.259	0.748	2.091	0.638
362T200-54	0.0566	50	0.431	1.47	0.832	0.345	10.342	3372	1.024	0.536	1.542	0.177	0.640	0.4601	0.442	-1.259	0.748	2.091	0.638
362T200-68	0.0713	33	0.543	1.85	1.199	0.519	10.260	3104	1.308	0.675	1.552	0.221	0.638	0.9194	0.564	-1.250	0.743	2.093	0.643
362T200-68	0.0713	50	0.543	1.85	1.138	0.480	14.376	4703	1.308	0.675	1.552	0.221	0.638	0.9194	0.564	-1.250	0.743	2.093	0.643
362T200-97	0.1017	33	0.773	2.63	1.916	0.868	17.144	4339	1.917	0.963	1.575	0.308	0.632	2.6658	0.825	-1.232	0.732	2.097	0.655
362T200-97	0.1017	50	0.773	2.63	1.840	0.804	24.064	6574	1.917	0.963	1.575	0.308	0.632	2.6658	0.825	-1.232	0.732	2.097	0.655
400T125-18 <sup>1</sup>	0.0188	33	0.122	0.42	0.241	0.070	1.386	151	0.298	0.145	1.562	0.017	0.374	0.0144	0.052	-0.637	0.400	1.727	0.864
400T125-27	0.0283	33	0.184	0.63	0.380	0.156	3.079	515	0.449	0.217	1.562	0.025	0.372	0.0491	0.078	-0.633	0.398	1.726	0.866
400T125-30	0.0312	33	0.203	0.69	0.427	0.176	3.487	689	0.495	0.239	1.563	0.028	0.371	0.0658	0.085	-0.632	0.397	1.726	0.866
400T125-33	0.0346	33	0.225	0.76	0.484	0.201	3.972	940	0.549	0.265	1.563	0.031	0.371	0.0897	0.095	-0.630	0.396	1.725	0.867
400T125-43	0.0451	33	0.293	1.00	0.666	0.282	5.569	1739	0.716	0.344	1.564	0.040	0.369	0.1985	0.122	-0.626	0.394	1.724	0.868
400T125-54	0.0566	33	0.367	1.25	0.883	0.381	7.528	2739	0.904	0.431	1.569	0.049	0.366	0.3921	0.154	-0.621	0.390	1.727	0.871
400T125-54	0.0566	50	0.367	1.25	0.850	0.359	10.740	3372	0.904	0.431	1.569	0.049	0.366	0.3921	0.154	-0.621	0.390	1.727	0.871
400T125-68	0.0713	33	0.462	1.57	1.150	0.517	10.222	3435	1.151	0.541	1.577	0.061	0.364	0.7835	0.194	-0.614	0.386	1.731	0.874
400T125-68	0.0713	50	0.462	1.57	1.134	0.488	14.624	5205	1.151	0.541	1.577	0.061	0.364	0.7835	0.194	-0.614	0.386	1.731	0.874
400T125-97	0.1017	33	0.659	2.24	1.673	0.768	17.356	4842	1.674	0.768	1.594	0.084	0.358	2.2713	0.280	-0.600	0.377	1.740	0.881
400T125-97	0.1017	50	0.659	2.24	1.673	0.768	25.842	7337	1.674	0.768	1.594	0.084	0.358	2.2713	0.280	-0.600	0.377	1.740	0.881
400T150-27	0.0283	33	0.198	0.67	0.409	0.154	3.043	515	0.509	0.246	1.602	0.042	0.461	0.0529	0.127	-0.824	0.509	1.860	0.804
400T150-30	0.0312	33	0.218	0.74	0.458	0.183	3.611	689	0.561	0.271	1.603	0.046	0.461	0.0708	0.140	-0.823	0.508	1.860	0.804
400T150-33	0.0346	33	0.242	0.82	0.519	0.208	4.118	940	0.622	0.300	1.603	0.051	0.460	0.0966	0.155	-0.821	0.507	1.859	0.805
400T150-43	0.0451	33	0.315	1.07	0.719	0.293	5.797	1739	0.811	0.390	1.604	0.066	0.458	0.2138	0.200	-0.817	0.504	1.857	0.807
400T150-54	0.0566	33	0.396	1.35	0.960	0.399	7.887	2739	1.026	0.489	1.610	0.082	0.456	0.4223	0.252	-0.811	0.501	1.860	0.810
400T150-54	0.0566	50	0.396	1.35	0.918	0.374	11.194	3372	1.026	0.489	1.610	0.082	0.456	0.4223	0.252	-0.811	0.501	1.860	0.810
400T150-68	0.0713	33	0.498	1.69	1.286	0.548	10.824	3435	1.306	0.615	1.619	0.102	0.453	0.8439	0.320	-0.804	0.496	1.864	0.814
400T150-68	0.0713	50	0.498	1.69	1.237	0.513	15.356	5205	1.306	0.615	1.619	0.102	0.453	0.8439	0.320	-0.804	0.496	1.864	0.814
400T150-97	0.1017	33	0.710	2.41	1.904	0.874	19.347	4842	1.904	0.874	1.638	0.142	0.447	2.4466	0.463	-0.788	0.487	1.872	0.823
400T150-97	0.1017	50	0.710	2.41	1.904	0.832	24.923	7337	1.904	0.874	1.638	0.142	0.447	2.4466	0.463	-0.788	0.487	1.872	0.823
400T200-33	0.0346	33	0.277	0.94	0.581	0.220	4.343	940	0.768	0.371	1.666	0.113	0.639	0.1104	0.336	-1.229	0.737	2.167	0.678
400T200-43	0.0451	33	0.360	1.23	0.811	0.311	6.144	1739	1.002	0.482	1.668	0.146	0.637	0.2443	0.436	-1.224	0.734	2.164	0.680
400T200-54	0.0566	33	0.452	1.54	1.093	0.426	8.417	2739	1.268	0.604	1.675	0.182	0.635	0.4828	0.551	-1.217	0.730	2.166	0.684
400T200-54	0.0566	50	0.452	1.54	1.037	0.397	11.878	3372	1.268	0.604	1.675	0.182	0.635	0.4828	0.551	-1.217	0.730	2.166	0.684
400T200-68	0.0713	33	0.569	1.94	1.486	0.591	11.683	3435	1.617	0.761	1.685	0.227	0.632	0.9647	0.702	-1.209	0.725	2.168	0.689
400T200-68	0.0713	50	0.569	1.94	1.412	0.549	16.426	5205	1.617	0.761	1.685	0.227	0.632	0.9647	0.702	-1.209	0.725	2.168	0.689
400T200-97	0.1017	33	0.811	2.76	2.361	0.981	19.384	4842	2.364	1.085	1.707	0.318	0.626	2.7973	1.022	-1.192	0.715	2.174	0.699
400T200-97	0.1017	50	0.811	2.76	2.269	0.911	27.287	7337	2.364	1.085	1.707	0.318	0.626	2.7973	1.022	-1.192	0.715	2.174	0.699
550T125-27	0.0283	33	0.226	0.77	0.786	0.192	3.786	372	0.948	0.336	2.046	0.027	0.348	0.0604	0.160	-0.543	0.352	2.146	0.936
550T125-30	0.0312	33	0.250	0.85	0.897	0.226	4.473	499	1.045	0.371	2.047	0.030	0.347	0.0810	0.176	-0.542	0.351	2.145	0.936
550T125-33	0.0346	33	0.277	0.94	1.029	0.270	5.327	680	1.159	0.411	2.047	0.033	0.346	0.1104	0.195	-0.541	0.350	2.145	0.936
550T125-43	0.0451	33	0.360	1.23	1.428	0.417	8.230	1504	1.510	0.534	2.047	0.043	0.344	0.2443	0.252	-0.537	0.348	2.144	0.937
550T125-54	0.0566	33	0.452	1.54	1.862	0.597	11.805	2739	1.904	0.668	2.052	0.053	0.342	0.4828	0.315	-0.532	0.345	2.147	0.939
550T12																			

# Section Properties

## (T) Track Section Properties

Member	Design Thickness (in)	F <sub>y</sub> (ksi)	Area (in <sup>2</sup> )	Weight (lb/ft)	Effective Properties				Gross Properties					Torsional Properties					
					I <sub>x</sub> (in <sup>4</sup> )	S <sub>x</sub> (in <sup>3</sup> )	M <sub>a</sub> (in-k)	V <sub>a</sub> (lb)	I <sub>x</sub> (in <sup>4</sup> )	S <sub>x</sub> (in <sup>3</sup> )	R <sub>x</sub> (in)	I <sub>y</sub> (in <sup>4</sup> )	R <sub>y</sub> (in)	J x 1000 (in <sup>6</sup> )	C <sub>w</sub> (in <sup>6</sup> )	X <sub>0</sub> (in)	m (in)	R <sub>0</sub> (in)	b (in)
550T150-27	0.0283	33	0.241	0.82	0.893	0.207	4.100	372	1.059	0.376	2.099	0.046	0.436	0.0642	0.263	-0.716	0.456	2.260	0.900
550T150-30	0.0312	33	0.265	0.90	0.995	0.251	4.964	499	1.168	0.414	2.099	0.050	0.435	0.0860	0.289	-0.715	0.455	2.259	0.900
550T150-33	0.0346	33	0.294	1.00	1.115	0.310	6.120	680	1.295	0.459	2.099	0.055	0.434	0.1173	0.320	-0.714	0.455	2.259	0.900
550T150-43	0.0451	33	0.383	1.30	1.516	0.468	9.251	1504	1.688	0.596	2.100	0.072	0.432	0.2596	0.414	-0.709	0.452	2.258	0.901
550T150-54	0.0566	33	0.480	1.63	2.005	0.628	12.415	2739	2.129	0.747	2.105	0.089	0.430	0.5130	0.519	-0.704	0.449	2.261	0.903
550T150-54	0.0566	50	0.480	1.63	1.928	0.595	17.806	2980	2.129	0.747	2.105	0.089	0.430	0.5130	0.519	-0.704	0.449	2.261	0.903
550T150-68	0.0713	33	0.605	2.06	2.661	0.850	16.803	4347	2.700	0.939	2.113	0.111	0.427	1.0251	0.655	-0.698	0.445	2.266	0.905
550T150-68	0.0713	50	0.605	2.06	2.569	0.804	24.075	5350	2.700	0.939	2.113	0.111	0.427	1.0251	0.655	-0.698	0.445	2.266	0.905
550T150-97	0.1017	33	0.862	2.93	3.905	1.334	29.519	6730	3.905	1.334	2.128	0.153	0.421	2.9726	0.937	-0.684	0.436	2.275	0.909
550T150-97	0.1017	50	0.862	2.93	3.905	1.278	38.276	10197	3.905	1.334	2.128	0.153	0.421	2.9726	0.937	-0.684	0.436	2.275	0.909
550T200-33	0.0346	33	0.329	1.12	1.246	0.307	6.061	680	1.567	0.555	2.184	0.123	0.613	0.1311	0.694	-1.088	0.674	2.516	0.813
550T200-43	0.0451	33	0.428	1.46	1.690	0.495	9.788	1504	2.044	0.722	2.185	0.160	0.611	0.2902	0.900	-1.083	0.671	2.514	0.814
550T200-54	0.0566	33	0.537	1.83	2.254	0.669	13.213	2739	2.579	0.905	2.191	0.199	0.609	0.5734	1.133	-1.077	0.668	2.517	0.817
550T200-54	0.0566	50	0.537	1.83	2.153	0.630	18.859	2980	2.579	0.905	2.191	0.199	0.609	0.5734	1.133	-1.077	0.668	2.517	0.817
550T200-68	0.0713	33	0.676	2.30	3.027	0.914	18.058	4347	3.275	1.139	2.201	0.248	0.606	1.1459	1.434	-1.070	0.663	2.521	0.820
550T200-68	0.0713	50	0.676	2.30	2.895	0.857	25.672	5350	3.275	1.139	2.201	0.248	0.606	1.1459	1.434	-1.070	0.663	2.521	0.820
550T200-97	0.1017	33	0.964	3.28	4.736	1.483	29.304	6730	4.747	1.621	2.219	0.347	0.600	3.3232	2.067	-1.055	0.653	2.529	0.826
550T200-97	0.1017	50	0.964	3.28	4.567	1.391	41.645	10197	4.747	1.621	2.219	0.347	0.600	3.3232	2.067	-1.055	0.653	2.529	0.826
600T125-27 <sup>1</sup>	0.0283	33	0.241	0.82	0.958	0.211	4.160	341	1.169	0.381	2.204	0.028	0.340	0.0642	0.196	-0.519	0.339	2.290	0.949
600T125-30	0.0312	33	0.265	0.90	1.095	0.249	4.920	456	1.288	0.420	2.204	0.031	0.340	0.0860	0.215	-0.518	0.338	2.290	0.949
600T125-33	0.0346	33	0.294	1.00	1.258	0.297	5.869	622	1.429	0.465	2.205	0.034	0.339	0.1173	0.238	-0.516	0.337	2.289	0.949
600T125-43	0.0451	33	0.383	1.30	1.768	0.461	9.114	1377	1.862	0.604	2.205	0.044	0.337	0.2596	0.307	-0.513	0.335	2.289	0.950
600T125-54	0.0566	33	0.480	1.63	2.299	0.666	13.152	2728	2.345	0.757	2.209	0.054	0.335	0.5130	0.384	-0.508	0.332	2.292	0.951
600T125-54	0.0566	50	0.480	1.63	2.241	0.592	17.737	2728	2.345	0.757	2.209	0.054	0.335	0.5130	0.384	-0.508	0.332	2.292	0.951
600T125-68	0.0713	33	0.605	2.06	2.969	0.916	18.093	4347	2.970	0.951	2.216	0.067	0.332	1.0251	0.483	-0.503	0.329	2.296	0.952
600T125-68	0.0713	50	0.605	2.06	2.934	0.858	25.694	5350	2.970	0.951	2.216	0.067	0.332	1.0251	0.483	-0.503	0.329	2.296	0.952
600T125-97	0.1017	33	0.862	2.93	4.281	1.347	30.430	7359	4.282	1.348	2.229	0.092	0.327	2.9726	0.685	-0.491	0.321	2.305	0.955
600T125-97	0.1017	50	0.862	2.93	4.281	1.347	45.309	10885	4.282	1.348	2.229	0.092	0.327	2.9726	0.685	-0.491	0.321	2.305	0.955
600T150-27 <sup>1</sup>	0.0283	33	0.255	0.87	1.012	0.214	4.227	341	1.301	0.424	2.260	0.047	0.427	0.0680	0.320	-0.686	0.441	2.400	0.918
600T150-30	0.0312	33	0.281	0.96	1.159	0.253	5.008	456	1.434	0.467	2.260	0.051	0.427	0.0911	0.352	-0.685	0.440	2.400	0.918
600T150-33	0.0346	33	0.311	1.06	1.335	0.303	5.986	622	1.590	0.517	2.260	0.057	0.426	0.1242	0.390	-0.684	0.439	2.400	0.919
600T150-43	0.0451	33	0.405	1.38	1.890	0.474	9.359	1377	2.073	0.673	2.261	0.073	0.424	0.2749	0.504	-0.680	0.437	2.399	0.920
600T150-54	0.0566	33	0.509	1.73	2.473	0.689	13.623	2728	2.612	0.843	2.266	0.091	0.422	0.5432	0.632	-0.675	0.434	2.402	0.921
600T150-54	0.0566	50	0.509	1.73	2.400	0.609	18.239	2728	2.612	0.843	2.266	0.091	0.422	0.5432	0.632	-0.675	0.434	2.402	0.921
600T150-68	0.0713	33	0.641	2.18	3.262	0.963	19.033	4347	3.310	1.059	2.273	0.113	0.419	1.0855	0.797	-0.669	0.430	2.406	0.923
600T150-68	0.0713	50	0.641	2.18	3.162	0.891	26.678	5350	3.310	1.059	2.273	0.113	0.419	1.0855	0.797	-0.669	0.430	2.406	0.923
600T150-97	0.1017	33	0.913	3.11	4.779	1.504	33.285	7359	4.780	1.504	2.288	0.156	0.414	3.1479	1.138	-0.656	0.421	2.416	0.926
600T150-97	0.1017	50	0.913	3.11	4.779	1.444	43.237	10885	4.780	1.504	2.288	0.156	0.414	3.1479	1.138	-0.656	0.421	2.416	0.926
600T200-33	0.0346	33	0.346	1.18	1.542	0.333	6.586	622	1.913	0.623	2.352	0.126	0.604	0.1380	0.847	-1.048	0.655	2.645	0.843
600T200-43	0.0451	33	0.451	1.53	2.076	0.565	11.158	1377	2.494	0.810	2.353	0.163	0.602	0.3055	1.098	-1.044	0.652	2.644	0.844
600T200-54	0.0566	33	0.565	1.92	2.760	0.759	15.004	2728	3.146	1.015	2.359	0.203	0.600	0.6037	1.381	-1.038	0.649	2.646	0.846
600T200-54	0.0566	50	0.565	1.92	2.641	0.717	21.481	2728	3.146	1.015	2.359	0.203	0.600	0.6037	1.381	-1.038	0.649	2.646	0.846
600T200-68	0.0713	33	0.712	2.42	3.696	1.034	20.425	4347	3.991	1.277	2.368	0.254	0.597	1.2064	1.746	-1.031	0.644	2.651	0.849
600T200-68	0.0713	50	0.712	2.42	3.540	0.973	29.122	5350	3.991	1.277	2.368	0.254	0.597	1.2064	1.746	-1.031	0.644	2.651	0.849
600T200-97	0.1017	33	1.015	3.45	5.759	1.667	32.950	7359	5.774	1.817	2.385	0.355	0.591	3.4985	2.510	-1.016	0.635	2.659	0.854
600T200-97	0.1017	50	1.015	3.45	5.559	1.568	46.949	10885	5.774	1.817	2.385	0.355	0.591	3.4985	2.510	-1.016	0.635	2.659	0.854
800T125-33 <sup>1</sup>	0.0346	33	0.363	1.24	2.442	0.407	8.034	465	2.897	0.711	2.824	0.036	0.313	0.1449	0.456	-0.439	0.294	2.875	0.977
800T125-43	0.0451	33	0.473	1.61	3.484	0.640	12.653	1030	3.774	0.925	2.824	0.046	0.311	0.3208	0.589	-0.436	0.292	2.875	0.977
800T125-54	0.0566	33	0.594	2.02	4.668	0.940	18.580	2039	4.747	1.158	2.828	0.057	0.309	0.6339	0.735	-0.432	0.289	2.877	0.977
800T125-54	0.0566	50	0.594	2.02	4.427	0.824	24.664	2039	4.747	1.158	2.828	0.057	0.309	0.6339	0.735	-0.432	0.289	2.877	0.977
800T125-68	0.0713	33	0.748	2.54	5.998	1.357	26.807	4087	6.000	1.455	2.833	0.070	0.307	1.2668	0.920	-0.427	0.286	2.881	0.978
800T125-68	0.0713	50	0.748	2.54	5.956	1.216	36.397	4087	6.000	1.455	2.833	0.070	0.307	1.2668	0.920	-0.427	0.286	2.881	0.978
800T125-97	0.1017	33	1.066	3.63	8.614	2.062	46.568	8843	8.617	2.062	2.844	0.097	0.301	3.6738	1.296	-0.417	0.279	2.890	0.979
800T125-97	0.1017	50	1.066	3.63	8.614	2.062	69.339	10885	8.617	2.062	2.844	0.097	0.301	3.6738	1.296	-0.417	0.279	2.890	0.979
800T150-33 <sup>1</sup>	0.0346	33	0.380	1.29	2.570	0.414	8.177	465	3.181	0.781	2.892	0.060	0.397	0.1518	0.751	-0.588	0.388	2.977	0.961
800T150-43	0.0451	33	0.496	1.69	3.690	0.655	12.948	1030	4.145	1.016	2.892	0.077	0.395	0.3361	0.972	-0.584	0.386	2.977	0.961
800T150-54	0.0566	33	0.622	2.12	4.977	0.969	19.147	2039	5.216	1.272	2.896	0.096	0.393	0.6641	1.215	-0.580	0.383		

# Section Properties

## (T) Track Section Properties

Member	Design Thickness (in)	F <sub>y</sub> (ksi)	Area (in <sup>2</sup> )	Weight (lb/ft)	Effective Properties				Gross Properties					Torsional Properties					
					I <sub>x</sub> (in <sup>4</sup> )	S <sub>x</sub> (in <sup>3</sup> )	M <sub>s</sub> (in-k)	V <sub>a</sub> (lb)	I <sub>x</sub> (in <sup>4</sup> )	S <sub>x</sub> (in <sup>3</sup> )	R <sub>x</sub> (in)	I <sub>y</sub> (in <sup>4</sup> )	R <sub>y</sub> (in)	J x 1000 (in <sup>6</sup> )	C <sub>w</sub> (in <sup>6</sup> )	X <sub>0</sub> (in)	m (in)	R <sub>0</sub> (in)	b (in)
800T200-33 <sup>1</sup>	0.0346	33	0.415	1.41	2.789	0.424	8.370	465	3.750	0.921	3.006	0.135	0.571	0.1656	1.638	-0.917	0.589	3.194	0.918
800T200-43	0.0451	33	0.541	1.84	4.044	0.676	13.354	1030	4.888	1.198	3.006	0.175	0.569	0.3667	2.124	-0.913	0.587	3.193	0.918
800T200-54	0.0566	33	0.679	2.31	5.506	1.009	19.934	2039	6.154	1.501	3.012	0.218	0.567	0.7245	2.664	-0.908	0.584	3.196	0.919
800T200-54	0.0566	50	0.679	2.31	5.151	0.872	26.095	2039	6.154	1.501	3.012	0.218	0.567	0.7245	2.664	-0.908	0.584	3.196	0.919
800T200-68	0.0713	33	0.854	2.91	7.306	1.490	29.449	4087	7.789	1.888	3.019	0.272	0.564	1.4480	3.357	-0.902	0.580	3.201	0.921
800T200-68	0.0713	50	0.854	2.91	7.053	1.310	39.223	4087	7.789	1.888	3.019	0.272	0.564	1.4480	3.357	-0.902	0.580	3.201	0.921
800T200-97	0.1017	33	1.218	4.14	11.177	2.491	49.221	8843	11.215	2.684	3.034	0.379	0.558	4.1998	4.792	-0.889	0.571	3.211	0.923
800T200-97	0.1017	50	1.218	4.14	10.834	2.347	70.280	10885	11.215	2.684	3.034	0.379	0.558	4.1998	4.792	-0.889	0.571	3.211	0.923
1000T125-43 <sup>1</sup>	0.0451	33	0.563	1.92	5.887	0.819	16.192	822	6.633	1.306	3.431	0.047	0.290	0.3819	0.973	-0.379	0.259	3.465	0.988
1000T125-54	0.0566	33	0.707	2.40	7.961	1.216	24.027	1628	8.337	1.635	3.434	0.059	0.288	0.7548	1.212	-0.376	0.256	3.467	0.988
1000T125-54	0.0566	50	0.707	2.40	7.480	1.055	31.593	1628	8.337	1.635	3.434	0.059	0.288	0.7548	1.212	-0.376	0.256	3.467	0.988
1000T125-68	0.0713	33	0.890	3.03	10.453	1.781	35.188	3261	10.526	2.054	3.439	0.073	0.286	1.5084	1.515	-0.372	0.253	3.471	0.989
1000T125-68	0.0713	50	0.890	3.03	10.156	1.575	47.150	3261	10.526	2.054	3.439	0.073	0.286	1.5084	1.515	-0.372	0.253	3.471	0.989
1000T125-97	0.1017	33	1.269	4.32	15.077	2.907	57.444	8843	15.083	2.913	3.448	0.100	0.281	4.3751	2.123	-0.363	0.247	3.478	0.989
1000T125-97	0.1017	50	1.269	4.32	15.077	2.753	82.423	9507	15.083	2.913	3.448	0.100	0.281	4.3751	2.123	-0.363	0.247	3.478	0.989
1000T150-43 <sup>1</sup>	0.0451	33	0.586	1.99	6.197	0.837	16.537	822	7.210	1.419	3.508	0.080	0.370	0.3972	1.612	-0.513	0.345	3.565	0.979
1000T150-54	0.0566	33	0.735	2.50	8.433	1.249	24.689	1628	9.065	1.778	3.512	0.100	0.368	0.7850	2.013	-0.509	0.342	3.567	0.980
1000T150-54	0.0566	50	0.735	2.50	7.881	1.079	32.297	1628	9.065	1.778	3.512	0.100	0.368	0.7850	2.013	-0.509	0.342	3.567	0.980
1000T150-68	0.0713	33	0.926	3.15	11.343	1.846	36.484	3261	11.450	2.234	3.517	0.124	0.366	1.5688	2.522	-0.505	0.339	3.572	0.980
1000T150-68	0.0713	50	0.926	3.15	10.776	1.621	48.534	3261	11.450	2.234	3.517	0.124	0.366	1.5688	2.522	-0.505	0.339	3.572	0.980
1000T150-97	0.1017	33	1.320	4.49	16.414	3.165	62.544	8843	16.420	3.171	3.527	0.172	0.361	4.5504	3.557	-0.495	0.332	3.580	0.981
1000T150-97	0.1017	50	1.320	4.49	16.414	2.903	86.903	9507	16.420	3.171	3.527	0.172	0.361	4.5504	3.557	-0.495	0.332	3.580	0.981
1000T200-43 <sup>1</sup>	0.0451	33	0.631	2.15	6.724	0.861	17.010	822	8.364	1.646	3.641	0.183	0.539	0.4278	3.540	-0.813	0.534	3.769	0.953
1000T200-54	0.0566	33	0.792	2.69	9.232	1.295	25.599	1628	10.520	2.063	3.645	0.228	0.537	0.8454	4.434	-0.809	0.531	3.772	0.954
1000T200-54	0.0566	50	0.792	2.69	8.563	1.111	33.261	1628	10.520	2.063	3.645	0.228	0.537	0.8454	4.434	-0.809	0.531	3.772	0.954
1000T200-68	0.0713	33	0.997	3.39	12.553	1.936	38.263	3261	13.296	2.595	3.652	0.284	0.534	1.6896	5.576	-0.803	0.527	3.777	0.955
1000T200-68	0.0713	50	0.997	3.39	11.821	1.684	50.425	3261	13.296	2.595	3.652	0.284	0.534	1.6896	5.576	-0.803	0.527	3.777	0.955
1000T200-97	0.1017	33	1.422	4.84	19.032	3.427	67.722	8843	19.093	3.687	3.665	0.397	0.528	4.9010	7.924	-0.791	0.519	3.786	0.956
1000T200-97	0.1017	50	1.422	4.84	18.584	3.081	92.256	9507	19.093	3.687	3.665	0.397	0.528	4.9010	7.924	-0.791	0.519	3.786	0.956
1200T125-54 <sup>1</sup>	0.0566	33	0.820	2.79	12.297	1.492	29.474	1354	13.341	2.187	4.034	0.060	0.271	0.8756	1.820	-0.333	0.230	4.056	0.993
1200T125-54 <sup>1</sup>	0.0566	50	0.820	2.79	11.463	1.286	38.512	1354	13.341	2.187	4.034	0.060	0.271	0.8756	1.820	-0.333	0.230	4.056	0.993
1200T125-68	0.0713	33	1.033	3.51	16.247	2.206	43.600	2713	16.834	2.749	4.037	0.074	0.268	1.7501	2.270	-0.329	0.227	4.060	0.993
1200T125-68	0.0713	50	1.033	3.51	15.689	1.934	57.903	2713	16.834	2.749	4.037	0.074	0.268	1.7501	2.270	-0.329	0.227	4.060	0.993
1200T125-97	0.1017	33	1.472	5.01	24.078	3.690	72.922	7902	24.090	3.899	4.045	0.102	0.264	5.0763	3.171	-0.322	0.222	4.066	0.994
1200T125-97	0.1017	50	1.472	5.01	23.752	3.443	103.069	7902	24.090	3.899	4.045	0.102	0.264	5.0763	3.171	-0.322	0.222	4.066	0.994
1200T150-54 <sup>1</sup>	0.0566	33	0.848	2.89	12.964	1.530	30.229	1354	14.384	2.358	4.118	0.103	0.348	0.9059	3.033	-0.454	0.310	4.157	0.988
1200T150-54 <sup>1</sup>	0.0566	50	0.848	2.89	12.023	1.313	39.318	1354	14.384	2.358	4.118	0.103	0.348	0.9059	3.033	-0.454	0.310	4.157	0.988
1200T150-68	0.0713	33	1.068	3.63	17.570	2.281	45.083	2713	18.156	2.964	4.122	0.127	0.345	1.8105	3.795	-0.450	0.307	4.161	0.988
1200T150-68	0.0713	50	1.068	3.63	16.568	1.987	59.483	2713	18.156	2.964	4.122	0.127	0.345	1.8105	3.795	-0.450	0.307	4.161	0.988
1200T150-97	0.1017	33	1.523	5.18	25.987	3.996	78.972	7902	25.999	4.208	4.131	0.176	0.340	5.2516	5.335	-0.441	0.301	4.169	0.989
1200T150-97	0.1017	50	1.523	5.18	25.720	3.616	108.274	7902	25.999	4.208	4.131	0.176	0.340	5.2516	5.335	-0.441	0.301	4.169	0.989
1200T200-54 <sup>1</sup>	0.0566	33	0.905	3.08	14.081	1.582	31.262	1354	16.470	2.700	4.266	0.236	0.510	0.9663	6.714	-0.730	0.487	4.358	0.972
1200T200-54 <sup>1</sup>	0.0566	50	0.905	3.08	12.965	1.350	40.418	1354	16.470	2.700	4.266	0.236	0.510	0.9663	6.714	-0.730	0.487	4.358	0.972
1200T200-68	0.0713	33	1.140	3.88	19.282	2.383	47.098	2713	20.799	3.396	4.272	0.294	0.508	1.9313	8.431	-0.725	0.483	4.363	0.972
1200T200-68	0.0713	50	1.140	3.88	18.029	2.058	61.626	2713	20.799	3.396	4.272	0.294	0.508	1.9313	8.431	-0.725	0.483	4.363	0.972
1200T200-97	0.1017	33	1.625	5.53	29.806	4.298	84.933	7902	29.816	4.826	4.284	0.410	0.502	5.6022	11.945	-0.714	0.476	4.372	0.973
1200T200-97	0.1017	50	1.625	5.53	28.962	3.819	114.355	7902	29.816	4.826	4.284	0.410	0.502	5.6022	11.945	-0.714	0.476	4.372	0.973
1200T200-118	0.1242	33	1.984	6.75	36.531	5.795	114.503	13189	36.544	5.878	4.292	0.492	0.498	10.2007	14.513	-0.706	0.471	4.378	0.974
1200T200-118	0.1242	50	1.984	6.75	36.531	5.278	158.031	14434	36.544	5.878	4.292	0.492	0.498	10.2007	14.513	-0.706	0.471	4.378	0.974
1400T125-54	0.0566	33	0.933	3.17	17.728	1.767	34.915	1160	19.987	2.815	4.628	0.061	0.256	0.9965	2.559	-0.299	0.209	4.645	0.996
1400T125-54	0.0566	50	0.933	3.17	16.412	1.517	45.425	1160	19.987	2.815	4.628	0.061	0.256	0.9965	2.559	-0.299	0.209	4.645	0.996
1400T125-68	0.0713	33	1.175	4.00	23.556	2.632	52.015	2322	25.208	3.538	4.631	0.076	0.254	1.9917	3.189	-0.296	0.206	4.648	0.996
1400T125-68	0.0713	50	1.175	4.00	22.623	2.293	68.646	2322	25.208	3.538	4.631	0.076	0.254	1.9917	3.189	-0.296	0.206	4.648	0.996
1400T125-97	0.1017	33	1.676	5.70	35.776	4.480	88.533	6761	36.043	5.021	4.638	0.104	0.249	5.7776	4.444	-0.289	0.201	4.653	0.996
1400T125-97	0.1017	50	1.676	5.70	34.591	4.134	123.771	6761	36.043	5.021	4.638	0.104	0.249	5.7776	4.444	-0.289	0.201	4.653	0.996
1400T125-118	0.1242	33	2.046	6.96	44.068	5.854	115.673	12344	44.090	6.109	4.642	0.124	0.246	10.5201	5.334	-0.284	0.		

# Section Properties

## (T) Track Section Properties

Member	Design Thickness (in)	Fy (ksi)	Area (in <sup>2</sup> )	Weight (lb/ft)	Effective Properties				Gross Properties					Torsional Properties					
					I <sub>x</sub> (in <sup>4</sup> )	S <sub>x</sub> (in <sup>3</sup> )	M <sub>a</sub> (in-k)	V <sub>a</sub> (lb)	I <sub>x</sub> (in <sup>4</sup> )	S <sub>x</sub> (in <sup>3</sup> )	R <sub>x</sub> (in)	I <sub>y</sub> (in <sup>4</sup> )	R <sub>y</sub> (in)	J x 1000 (in <sup>6</sup> )	C <sub>w</sub> (in <sup>6</sup> )	X <sub>0</sub> (in)	m (in)	R <sub>0</sub> (in)	b
1400T200-54	0.0566	33	1.018	3.46	20.105	1.868	36.919	1160	24.232	3.413	4.879	0.242	0.487	1.0872	9.520	-0.665	0.449	4.948	0.982
1400T200-54	0.0566	50	1.018	3.46	18.392	1.589	47.568	1160	24.232	3.413	4.879	0.242	0.487	1.0872	9.520	-0.665	0.449	4.948	0.982
1400T200-68	0.0713	33	1.282	4.36	27.710	2.831	55.933	2322	30.583	4.293	4.884	0.301	0.485	2.1729	11.942	-0.661	0.446	4.952	0.982
1400T200-68	0.0713	50	1.282	4.36	25.745	2.432	72.817	2322	30.583	4.293	4.884	0.301	0.485	2.1729	11.942	-0.661	0.446	4.952	0.982
1400T200-97	0.1017	33	1.828	6.22	43.681	5.174	102.248	6761	43.791	6.101	4.894	0.420	0.479	6.3035	16.883	-0.651	0.439	4.960	0.983
1400T200-97	0.1017	50	1.828	6.22	41.756	4.559	136.495	6761	43.791	6.101	4.894	0.420	0.479	6.3035	16.883	-0.651	0.439	4.960	0.983
1400T200-118	0.1242	33	2.232	7.59	53.607	7.062	139.552	12344	53.628	7.430	4.901	0.505	0.476	11.4780	20.479	-0.644	0.434	4.966	0.983
1400T200-118	0.1242	50	2.232	7.59	53.456	6.354	190.251	12344	53.628	7.430	4.901	0.505	0.476	11.4780	20.479	-0.644	0.434	4.966	0.983
1600T125-54	0.0566	33	1.046	3.56	24.292	2.042	40.351	1014	28.500	3.519	5.219	0.062	0.243	1.1174	3.432	-0.272	0.191	5.232	0.997
1600T125-54	0.0566	50	1.046	3.56	22.355	1.748	52.334	1014	28.500	3.519	5.219	0.062	0.243	1.1174	3.432	-0.272	0.191	5.232	0.997
1600T125-68	0.0713	33	1.318	4.48	32.445	3.058	60.423	2030	35.935	4.423	5.222	0.077	0.241	2.2333	4.273	-0.268	0.189	5.234	0.997
1600T125-68	0.0713	50	1.318	4.48	31.009	2.651	79.378	2030	35.935	4.423	5.222	0.077	0.241	2.2333	4.273	-0.268	0.189	5.234	0.997
1600T125-97	0.1017	33	1.879	6.39	49.848	5.273	104.198	5908	51.349	6.279	5.227	0.105	0.237	6.4788	5.945	-0.262	0.184	5.239	0.997
1600T125-97	0.1017	50	1.879	6.39	47.837	4.826	144.478	5908	51.349	6.279	5.227	0.105	0.237	6.4788	5.945	-0.262	0.184	5.239	0.997
1600T125-118	0.1242	33	2.294	7.81	62.756	6.965	137.632	10783	62.789	7.641	5.231	0.125	0.234	11.7973	7.126	-0.257	0.181	5.243	0.998
1600T125-118	0.1242	50	2.294	7.81	60.935	6.420	192.221	10783	62.789	7.641	5.231	0.125	0.234	11.7973	7.126	-0.257	0.181	5.243	0.998
1600T150-54	0.0566	33	1.075	3.66	25.453	2.090	41.293	1014	30.343	3.747	5.314	0.106	0.314	1.1476	5.757	-0.374	0.260	5.336	0.995
1600T150-54	0.0566	50	1.075	3.66	23.309	1.782	53.340	1014	30.343	3.747	5.314	0.106	0.314	1.1476	5.757	-0.374	0.260	5.336	0.995
1600T150-68	0.0713	33	1.354	4.60	34.949	3.152	62.280	2030	38.268	4.710	5.317	0.132	0.312	2.2938	7.188	-0.371	0.258	5.339	0.995
1600T150-68	0.0713	50	1.354	4.60	32.544	2.717	81.349	2030	38.268	4.710	5.317	0.132	0.312	2.2938	7.188	-0.371	0.258	5.339	0.995
1600T150-97	0.1017	33	1.930	6.57	53.176	5.674	112.130	5908	54.708	6.690	5.324	0.183	0.308	6.6541	10.066	-0.363	0.253	5.345	0.995
1600T150-97	0.1017	50	1.930	6.57	51.389	5.047	151.121	5908	54.708	6.690	5.324	0.183	0.308	6.6541	10.066	-0.363	0.253	5.345	0.995
1600T150-118	0.1242	33	2.356	8.02	66.886	7.460	147.420	10783	66.919	8.144	5.329	0.218	0.304	12.1166	12.124	-0.358	0.249	5.350	0.996
1600T150-118	0.1242	50	2.356	8.02	65.028	6.911	206.927	10783	66.919	8.144	5.329	0.218	0.304	12.1166	12.124	-0.358	0.249	5.350	0.996
1600T200-54	0.0566	33	1.131	3.85	27.343	2.154	42.571	1014	34.030	4.202	5.485	0.246	0.467	1.2081	12.864	-0.612	0.417	5.538	0.988
1600T200-54	0.0566	50	1.131	3.85	24.873	1.827	54.712	1014	34.030	4.202	5.485	0.246	0.467	1.2081	12.864	-0.612	0.417	5.538	0.988
1600T200-68	0.0713	33	1.425	4.85	37.912	3.277	64.762	2030	42.933	5.284	5.489	0.307	0.464	2.4146	16.123	-0.607	0.414	5.542	0.988
1600T200-68	0.0713	50	1.425	4.85	35.022	2.806	83.998	2030	42.933	5.284	5.489	0.307	0.464	2.4146	16.123	-0.607	0.414	5.542	0.988
1600T200-97	0.1017	33	2.032	6.91	60.203	6.053	119.607	5908	61.425	7.511	5.498	0.428	0.459	7.0047	22.755	-0.598	0.408	5.550	0.988
1600T200-97	0.1017	50	2.032	6.91	57.306	5.298	158.636	5908	61.425	7.511	5.498	0.428	0.459	7.0047	22.755	-0.598	0.408	5.550	0.988
1600T200-118	0.1242	33	2.481	8.44	75.147	8.332	164.638	10783	75.179	9.149	5.505	0.515	0.455	12.7552	27.568	-0.592	0.403	5.556	0.989
1600T200-118	0.1242	50	2.481	8.44	73.619	7.433	222.552	10783	75.179	9.149	5.505	0.515	0.455	12.7552	27.568	-0.592	0.403	5.556	0.989

<sup>1</sup> Web-height-to-thickness ratio exceeds 200. Web stiffeners are required at all support points and concentrated loads.

Suitability of web holes must be evaluated independently.

See Section Properties Table Notes on page 5.

## Web Depth-to-Thickness Ratios for Stud and Joist Members <sup>2, 3</sup>

Member Depth	Web Depth (in)	18Mil 0.0188	27Mil 0.0283	30Mil 0.0312	33Mil 0.0346	43Mil 0.0451	54Mil 0.0566	68Mil 0.0713	97Mil 0.1017	118Mil 0.1242
162S	1.625	75	50	45	41	31	24	18	11	8
250S	2.500	122	81	73	66	50	39	30	20	15
350S	3.500	175	116	105	95	72	57	44	29	23
362S	3.625	182	120	109	98	75	59	46	31	24
400S	4.000	202 <sup>1</sup>	134	121	109	84	66	51	34	27
550S	5.500	-	187	169	153	117	92	72	49	39
600S	6.000	-	204 <sup>1</sup>	185	167	128	101	79	54	43
800S	8.000	-	-	249 <sup>1</sup>	225 <sup>1</sup>	172	136	107	74	59
1000S	10.000	-	-	-	-	217 <sup>1</sup>	172	135	93	76
1200S	12.000	-	-	-	-	-	207	163	113	92
1400S	14.000	-	-	-	-	-	242 <sup>1</sup>	191	133	108
1600S	16.000	-	-	-	-	-	-	219 <sup>1</sup>	152	124

<sup>1</sup> h/t exceeds 200

<sup>2</sup> h value used for h/t calculations is the flat width of the web. For Stud members, this is the out-to-out member size, minus twice the thickness, minus twice the inside bend radius.

<sup>3</sup> h/t values exceeding 260 are marked with a dash (-)



## Interior Non-Structural Non-Composite Table Notes

1. Lateral loads of 5 psf, 7.5 psf, and 10 psf loads have NOT been reduced for strength or deflection checks. Full lateral load is applied.
2. Calculated properties are based upon AISI S100-07, North American Specification for the Design of Cold-Formed Steel Structural Members.
3. Limiting heights are based upon continuous support of each flange over the full length of the stud.
4. Limiting heights are based upon steel properties only (non-composite).
5. Web crippling checks are based upon end-one flange loading condition using 1-inch end bearing.
6. Where limiting heights are followed by "e", web stiffeners are required.

Interior Non-Structural Non-Composite											
Stud Member	Spacing in, oc	Fy, ksi	5 psf			7.5 psf			10 psf		
			L/120	L/240	L/360	L/120	L/240	L/360	L/120	L/240	L/360
162S125-18	12	33	9' 1"	7' 7"	6' 8"	7' 5"	6' 8"	5' 10"	6' 5"	6' 1"	5' 3"
162S125-18	16	33	7' 10"	6' 11"	6' 1"	6' 5"	6' 1"	5' 3"	5' 7"	5' 6"	4' 10"
162S125-18	24	33	6' 5"	6' 1"	5' 3"	5' 3"	5' 3"	4' 7"	4' 6"	4' 6"	4' 2"
162S125-27	12	33	11' 3"	8' 11"	7' 10"	9' 8"	7' 10"	6' 10"	8' 4"	7' 1"	6' 3"
162S125-27	16	33	10' 3"	8' 2"	7' 1"	8' 4"	7' 1"	6' 3"	7' 3"	6' 5"	5' 8"
162S125-27	24	33	8' 4"	7' 1"	6' 3"	6' 10"	6' 3"	5' 5"	5' 11"	5' 8"	4' 11"
162S125-30	12	33	11' 8"	9' 3"	8' 1"	10' 2"	8' 1"	7' 1"	8' 11"	7' 4"	6' 5"
162S125-30	16	33	10' 7"	8' 5"	7' 4"	8' 11"	7' 4"	6' 5"	7' 9"	6' 8"	5' 10"
162S125-30	24	33	8' 11"	7' 4"	6' 5"	7' 3"	6' 5"	5' 7"	6' 4"	5' 10"	5' 1"
162S125-33	12	33	12' 0"	9' 6"	8' 4"	10' 6"	8' 4"	7' 3"	9' 6"	7' 7"	6' 7"
162S125-33	16	33	10' 11"	8' 8"	7' 7"	9' 6"	7' 7"	6' 7"	8' 3"	6' 11"	6' 0"
162S125-33	24	33	9' 6"	7' 7"	6' 7"	7' 10"	6' 7"	5' 9"	6' 9"	6' 0"	5' 3"
250S125-18	12	33	11' 9"	10' 6"	9' 3"	9' 7"	9' 3"	8' 1"	8' 3"	8' 3"	7' 4"
250S125-18	16	33	10' 2"	9' 7"	8' 4"	8' 3"	8' 3"	7' 4"	7' 2"	7' 2"	6' 8"
250S125-18	24	33	8' 3"	8' 3"	7' 4"	6' 9"	6' 9"	6' 5"	5' 10" e	5' 10" e	5' 10" e
250S125-27	12	33	15' 7"	12' 4"	10' 10"	12' 9"	10' 10"	9' 5"	11' 0"	9' 10"	8' 7"
250S125-27	16	33	13' 6"	11' 3"	9' 10"	11' 0"	9' 10"	8' 7"	9' 7"	8' 11"	7' 10"
250S125-27	24	33	11' 0"	9' 10"	8' 7"	9' 0"	8' 7"	7' 6"	7' 10"	7' 10"	6' 10"
250S125-30	12	33	16' 1"	12' 9"	11' 2"	13' 8"	11' 2"	9' 9"	11' 10"	10' 2"	8' 10"
250S125-30	16	33	14' 5"	11' 7"	10' 2"	11' 10"	10' 2"	8' 10"	10' 3"	9' 2"	8' 1"
250S125-30	24	33	11' 10"	10' 2"	8' 10"	9' 8"	8' 10"	7' 9"	8' 4"	8' 1"	7' 0"
250S125-33	12	33	16' 7"	13' 2"	11' 6"	14' 6"	11' 6"	10' 1"	12' 8"	10' 6"	9' 2"
250S125-33	16	33	15' 1"	12' 0"	10' 6"	12' 8"	10' 6"	9' 2"	11' 0"	9' 6"	8' 4"
250S125-33	24	33	12' 8"	10' 6"	9' 2"	10' 4"	9' 2"	8' 0"	9' 0"	8' 4"	7' 3"
250S125-43	12	33	18' 1"	14' 4"	12' 6"	15' 10"	12' 6"	10' 11"	14' 4"	11' 5"	9' 11"
250S125-43	16	33	16' 5"	13' 0"	11' 5"	14' 4"	11' 5"	9' 11"	13' 0"	10' 4"	9' 1"
250S125-43	24	33	14' 4"	11' 5"	9' 11"	12' 4"	9' 11"	8' 8"	10' 8"	9' 1"	7' 11"
250S125-54	12	33	19' 4"	15' 4"	13' 5"	16' 11"	13' 5"	11' 9"	15' 4"	12' 2"	10' 8"
250S125-54	16	33	17' 7"	14' 0"	12' 2"	15' 4"	12' 2"	10' 8"	14' 0"	11' 1"	9' 8"
250S125-54	24	33	15' 4"	12' 2"	10' 8"	13' 5"	10' 8"	9' 4"	12' 1"	9' 8"	8' 6"
250S125-54	12	50	19' 4"	15' 4"	13' 5"	16' 10"	13' 5"	11' 8"	15' 4"	12' 2"	10' 8"
250S125-54	16	50	17' 7"	13' 11"	12' 2"	15' 4"	12' 2"	10' 8"	13' 11"	11' 1"	9' 8"
250S125-54	24	50	15' 4"	12' 2"	10' 8"	13' 5"	10' 8"	9' 3"	12' 2"	9' 8"	8' 5"
250S125-68	12	33	20' 7"	16' 4"	14' 4"	18' 0"	14' 4"	12' 6"	16' 4"	13' 0"	11' 4"
250S125-68	16	33	18' 9"	14' 10"	13' 0"	16' 4"	13' 0"	11' 4"	14' 10"	11' 10"	10' 4"
250S125-68	24	33	16' 4"	13' 0"	11' 4"	14' 4"	11' 4"	9' 11"	13' 0"	10' 4"	9' 0"
250S125-68	12	50	20' 7"	16' 4"	14' 4"	18' 0"	14' 4"	12' 6"	16' 4"	13' 0"	11' 4"
250S125-68	16	50	18' 9"	14' 10"	13' 0"	16' 4"	13' 0"	11' 4"	14' 10"	11' 10"	10' 4"
250S125-68	24	50	16' 4"	13' 0"	11' 4"	14' 4"	11' 4"	9' 11"	13' 0"	10' 4"	9' 0"
350S125-18	12	33	14' 0"	13' 9"	12' 0"	11' 5"	11' 5"	10' 6"	9' 11" e	9' 11" e	9' 6"
350S125-18	16	33	12' 1"	12' 1"	10' 11"	9' 11" e	9' 11" e	9' 6"	8' 7" e	8' 7" e	8' 7" e
350S125-18	24	33	9' 11" e	9' 11" e	9' 6"	8' 1" e	8' 1" e	8' 1" e	7' 0" e	7' 0" e	7' 0" e
350S125-27	12	33	18' 10"	16' 0"	14' 0"	15' 4"	14' 0"	12' 3"	13' 4"	12' 9"	11' 1"
350S125-27	16	33	16' 3"	14' 7"	12' 9"	13' 4"	12' 9"	11' 1"	11' 6"	11' 6"	10' 1"
350S125-27	24	33	13' 4"	12' 9"	11' 1"	10' 10"	10' 10"	9' 8"	9' 5"	9' 5"	8' 10"
350S125-30	12	33	20' 2"	16' 7"	14' 5"	16' 6"	14' 5"	12' 8"	14' 3"	13' 2"	11' 6"
350S125-30	16	33	17' 6"	15' 0"	13' 2"	14' 3"	13' 2"	11' 6"	12' 4"	11' 11"	10' 5"
350S125-30	24	33	14' 3"	13' 2"	11' 6"	11' 8"	11' 6"	10' 0"	10' 1"	10' 1"	9' 1"

See Interior Non-Structural Non-Composite Table Notes

# Limiting Wall Heights - Non-Composite



Interior Non-Structural Non-Composite											
Stud Member	Spacing in, oc	F <sub>y</sub> , ksi	5 psf			7.5 psf			10 psf		
			L/120	L/240	L/360	L/120	L/240	L/360	L/120	L/240	L/360
350S125-33	12	33	21' 7"	17' 1"	14' 11"	17' 9"	14' 11"	13' 1"	15' 4"	13' 7"	11' 10"
350S125-33	16	33	18' 10"	15' 7"	13' 7"	15' 4"	13' 7"	11' 10"	13' 3"	12' 4"	10' 9"
350S125-33	24	33	15' 4"	13' 7"	11' 10"	12' 6"	11' 10"	10' 4"	10' 10"	10' 9"	9' 5"
350S125-43	12	33	23' 6"	18' 8"	16' 3"	20' 6"	16' 3"	14' 3"	18' 6"	14' 9"	12' 11"
350S125-43	16	33	21' 4"	16' 11"	14' 9"	18' 6"	14' 9"	12' 11"	16' 0"	13' 5"	11' 9"
350S125-43	24	33	18' 6"	14' 9"	12' 11"	15' 1"	12' 11"	11' 3"	13' 1"	11' 9"	10' 3"
350S125-54	12	33	25' 2"	20' 0"	17' 5"	22' 0"	17' 5"	15' 3"	20' 0"	15' 10"	13' 10"
350S125-54	16	33	22' 10"	18' 2"	15' 10"	20' 0"	15' 10"	13' 10"	18' 2"	14' 5"	12' 7"
350S125-54	24	33	20' 0"	15' 10"	13' 10"	17' 5"	13' 10"	12' 1"	15' 2"	12' 7"	11' 0"
350S125-54	12	50	25' 1"	19' 11"	17' 5"	21' 11"	17' 5"	15' 2"	19' 11"	15' 10"	13' 10"
350S125-54	16	50	22' 10"	18' 1"	15' 10"	19' 11"	15' 10"	13' 10"	18' 1"	14' 4"	12' 7"
350S125-54	24	50	19' 11"	15' 10"	13' 10"	17' 5"	13' 10"	12' 1"	15' 10"	12' 7"	11' 0"
350S125-68	12	33	26' 10"	21' 4"	18' 8"	23' 6"	18' 8"	16' 3"	21' 4"	16' 11"	14' 9"
350S125-68	16	33	24' 5"	19' 4"	16' 11"	21' 4"	16' 11"	14' 9"	19' 4"	15' 5"	13' 5"
350S125-68	24	33	21' 4"	16' 11"	14' 9"	18' 8"	14' 9"	12' 11"	16' 8"	13' 5"	11' 9"
350S125-68	12	50	26' 10"	21' 4"	18' 8"	23' 6"	18' 8"	16' 3"	21' 4"	16' 11"	14' 9"
350S125-68	16	50	24' 5"	19' 4"	16' 11"	21' 4"	16' 11"	14' 9"	19' 4"	15' 5"	13' 5"
350S125-68	24	50	21' 4"	16' 11"	14' 9"	18' 8"	14' 9"	12' 11"	16' 11"	13' 5"	11' 9"
362S125-18	12	33	14' 3"	14' 1"	12' 4"	11' 8"	11' 8"	10' 9"	10' 1" e	10' 1" e	9' 10" e
362S125-18	16	33	12' 4"	12' 4"	11' 3"	10' 1" e	10' 1" e	9' 10" e	8' 9" e	8' 9" e	8' 9" e
362S125-18	24	33	10' 1" e	10' 1" e	9' 10" e	8' 3" e	8' 3" e	8' 3" e	7' 2" e	7' 2" e	7' 2" e
362S125-27	12	33	19' 2"	16' 5"	14' 5"	15' 8"	14' 5"	12' 7"	13' 7"	13' 1"	11' 5"
362S125-27	16	33	16' 7"	14' 11"	13' 1"	13' 7"	13' 1"	11' 5"	11' 9"	11' 9"	10' 4"
362S125-27	24	33	13' 7"	13' 1"	11' 5"	11' 1"	11' 1"	10' 0"	9' 7"	9' 7"	9' 1"
362S125-30	12	33	20' 7"	17' 0"	14' 10"	16' 9"	14' 10"	13' 0"	14' 6"	13' 6"	11' 10"
362S125-30	16	33	17' 10"	15' 5"	13' 6"	14' 6"	13' 6"	11' 10"	12' 7"	12' 3"	10' 9"
362S125-30	24	33	14' 6"	13' 6"	11' 10"	11' 10"	11' 10"	10' 4"	10' 3"	10' 3"	9' 4"
362S125-33	12	33	22' 2"	17' 7"	15' 4"	18' 1"	15' 4"	13' 5"	15' 8"	13' 11"	12' 2"
362S125-33	16	33	19' 2"	16' 0"	13' 11"	15' 8"	13' 11"	12' 2"	13' 7"	12' 8"	11' 1"
362S125-33	24	33	15' 8"	13' 11"	12' 2"	12' 9"	12' 2"	10' 8"	11' 1"	11' 1"	9' 8"
362S125-43	12	33	24' 2"	19' 2"	16' 9"	21' 1"	16' 9"	14' 7"	18' 10"	15' 2"	13' 3"
362S125-43	16	33	21' 11"	17' 5"	15' 2"	18' 10"	15' 2"	13' 3"	16' 4"	13' 10"	12' 1"
362S125-43	24	33	18' 10"	15' 2"	13' 3"	15' 5"	13' 3"	11' 7"	13' 4"	12' 1"	10' 6"
362S125-54	12	33	25' 11"	20' 7"	17' 11"	22' 7"	17' 11"	15' 8"	20' 7"	16' 4"	14' 3"
362S125-54	16	33	23' 6"	18' 8"	16' 4"	20' 7"	16' 4"	14' 3"	18' 8"	14' 10"	12' 11"
362S125-54	24	33	20' 7"	16' 4"	14' 3"	17' 11"	14' 3"	12' 5"	15' 6"	12' 11"	11' 4"
362S125-54	12	50	25' 10"	20' 6"	17' 11"	22' 7"	17' 11"	15' 8"	20' 6"	16' 3"	14' 2"
362S125-54	16	50	23' 5"	18' 7"	16' 3"	20' 6"	16' 3"	14' 2"	18' 7"	14' 9"	12' 11"
362S125-54	24	50	20' 6"	16' 3"	14' 2"	17' 11"	14' 2"	12' 5"	16' 3"	12' 11"	11' 3"
362S125-68	12	33	27' 7"	21' 11"	19' 2"	24' 2"	19' 2"	16' 9"	21' 11"	17' 5"	15' 2"
362S125-68	16	33	25' 1"	19' 11"	17' 5"	21' 11"	17' 5"	15' 2"	19' 11"	15' 10"	13' 10"
362S125-68	24	33	21' 11"	17' 5"	15' 2"	19' 2"	15' 2"	13' 3"	17' 1"	13' 10"	12' 1"
362S125-68	12	50	27' 7"	21' 11"	19' 2"	24' 2"	19' 2"	16' 9"	21' 11"	17' 5"	15' 2"
362S125-68	16	50	25' 1"	19' 11"	17' 5"	21' 11"	17' 5"	15' 2"	19' 11"	15' 10"	13' 10"
362S125-68	24	50	21' 11"	17' 5"	15' 2"	19' 2"	15' 2"	13' 3"	17' 5"	13' 10"	12' 1"
400S125-18	12	33	15' 0"	15' 0"	13' 4"	12' 3"	12' 3"	11' 8"	10' 7" e	10' 7" e	10' 7" e
400S125-18	16	33	13' 0"	13' 0"	12' 2"	10' 7" e	10' 7" e	10' 7" e	9' 2" e	9' 2" e	9' 2" e
400S125-18	24	33	10' 7" e	10' 7" e	10' 7" e	8' 8" e	8' 8" e	8' 8" e	7' 6" e	7' 6" e	7' 6" e
400S125-27	12	33	20' 3"	17' 9"	15' 6"	16' 6"	15' 6"	13' 7"	14' 4"	14' 1"	12' 4"
400S125-27	16	33	17' 6"	16' 2"	14' 1"	14' 4"	14' 1"	12' 4"	12' 5"	12' 5"	11' 2"
400S125-27	24	33	14' 4"	14' 1"	12' 4"	11' 8"	11' 8"	10' 9"	10' 1"	10' 1"	9' 9"
400S125-30	12	33	21' 9"	18' 5"	16' 1"	17' 9"	16' 1"	14' 0"	15' 4"	14' 7"	12' 9"
400S125-30	16	33	18' 10"	16' 8"	14' 7"	15' 4"	14' 7"	12' 9"	13' 4"	13' 3"	11' 7"
400S125-30	24	33	15' 4"	14' 7"	12' 9"	12' 6"	12' 6"	11' 2"	10' 10"	10' 10"	10' 1"
400S125-33	12	33	23' 5"	19' 0"	16' 7"	19' 1"	16' 7"	14' 6"	16' 7"	15' 1"	13' 2"
400S125-33	16	33	20' 3"	17' 3"	15' 1"	16' 7"	15' 1"	13' 2"	14' 4"	13' 8"	12' 0"
400S125-33	24	33	16' 7"	15' 1"	13' 2"	13' 6"	13' 2"	11' 6"	11' 8"	11' 8"	10' 5"
400S125-43	12	33	26' 1"	20' 8"	18' 1"	22' 9"	18' 1"	15' 10"	20' 0"	16' 5"	14' 4"
400S125-43	16	33	23' 8"	18' 10"	16' 5"	20' 0"	16' 5"	14' 4"	17' 4"	14' 11"	13' 0"

See Interior Non-Structural Non-Composite Table Notes

# Limiting Wall Heights - Non-Composite

Interior Non-Structural Non-Composite											
Stud Member	Spacing in, oc	Fy, ksi	5 psf			7.5 psf			10 psf		
			L/120	L/240	L/360	L/120	L/240	L/360	L/120	L/240	L/360
400S125-43	24	33	20' 0"	16' 5"	14' 4"	16' 4"	14' 4"	12' 6"	14' 2"	13' 0"	11' 5"
400S125-54	12	33	28' 0"	22' 3"	19' 5"	24' 5"	19' 5"	16' 11"	22' 3"	17' 8"	15' 5"
400S125-54	16	33	25' 5"	20' 2"	17' 8"	22' 3"	17' 8"	15' 5"	19' 10"	16' 0"	14' 0"
400S125-54	24	33	22' 3"	17' 8"	15' 5"	18' 9"	15' 5"	13' 5"	16' 3"	14' 0"	12' 3"
400S125-54	12	50	27' 11"	22' 2"	19' 4"	24' 4"	19' 4"	16' 11"	22' 2"	17' 7"	15' 4"
400S125-54	16	50	25' 4"	20' 1"	17' 7"	22' 2"	17' 7"	15' 4"	20' 1"	16' 0"	13' 11"
400S125-54	24	50	22' 2"	17' 7"	15' 4"	19' 4"	15' 4"	13' 5"	17' 7"	13' 11"	12' 2"
400S125-68	12	33	29' 11"	23' 9"	20' 9"	26' 1"	20' 9"	18' 1"	23' 9"	18' 10"	16' 5"
400S125-68	16	33	27' 2"	21' 7"	18' 10"	23' 9"	18' 10"	16' 5"	21' 7"	17' 1"	14' 11"
400S125-68	24	33	23' 9"	18' 10"	16' 5"	20' 9"	16' 5"	14' 4"	18' 4"	14' 11"	13' 1"
400S125-68	12	50	29' 11"	23' 9"	20' 9"	26' 1"	20' 9"	18' 1"	23' 9"	18' 10"	16' 5"
400S125-68	16	50	27' 2"	21' 7"	18' 10"	23' 9"	18' 10"	16' 5"	21' 7"	17' 1"	14' 11"
400S125-68	24	50	23' 9"	18' 10"	16' 5"	20' 9"	16' 5"	14' 4"	18' 10"	14' 11"	13' 1"
550S125-18	12	33	17' 6"	17' 6"	16' 9"	14' 3" e	14' 3" e	14' 3" e	12' 4" e	12' 4" e	12' 4" e
550S125-18	16	33	15' 2" e	15' 2" e	15' 2" e	12' 4" e	12' 4" e	12' 4" e	10' 9" e	10' 9" e	10' 9" e
550S125-18	24	33	12' 4" e	12' 4" e	12' 4" e	10' 1" e	10' 1" e	10' 1" e	8' 9" e	8' 9" e	8' 9" e
550S125-27	12	33	23' 10"	22' 9"	19' 10"	19' 6"	19' 6"	17' 4"	16' 11"	16' 11"	15' 9"
550S125-27	16	33	20' 8"	20' 8"	18' 1"	16' 11"	16' 11"	15' 9"	14' 7"	14' 7"	14' 4"
550S125-27	24	33	16' 11"	16' 11"	15' 9"	13' 9"	13' 9"	13' 9"	11' 11" e	11' 11" e	11' 11" e
550S125-30	12	33	25' 8"	23' 7"	20' 7"	21' 0"	20' 7"	18' 0"	18' 2"	18' 2"	16' 4"
550S125-30	16	33	22' 3"	21' 5"	18' 8"	18' 2"	18' 2"	16' 4"	15' 9"	15' 9"	14' 10"
550S125-30	24	33	18' 2"	18' 2"	16' 4"	14' 10"	14' 10"	14' 3"	12' 10" e	12' 10" e	12' 10" e
550S125-33	12	33	27' 9"	24' 5"	21' 4"	22' 8"	21' 4"	18' 8"	19' 8"	19' 5"	16' 11"
550S125-33	16	33	24' 1"	22' 2"	19' 5"	19' 8"	19' 5"	16' 11"	17' 0"	17' 0"	15' 5"
550S125-33	24	33	19' 8"	19' 5"	16' 11"	16' 1"	16' 1"	14' 10"	13' 11"	13' 11"	13' 5"
550S125-43	12	33	33' 8"	26' 9"	23' 4"	27' 8"	23' 4"	20' 5"	24' 0"	21' 3"	18' 6"
550S125-43	16	33	29' 4"	24' 4"	21' 3"	24' 0"	21' 3"	18' 6"	20' 9"	19' 3"	16' 10"
550S125-43	24	33	24' 0"	21' 3"	18' 6"	19' 7"	18' 6"	16' 2"	16' 11"	16' 10"	14' 9"
550S125-54	12	33	36' 2"	28' 9"	25' 1"	31' 7"	25' 1"	21' 11"	28' 3"	22' 9"	19' 11"
550S125-54	16	33	32' 10"	26' 1"	22' 9"	28' 3"	22' 9"	19' 11"	24' 5"	20' 8"	18' 1"
550S125-54	24	33	28' 3"	22' 9"	19' 11"	23' 0"	19' 11"	17' 5"	19' 11"	18' 1"	15' 10"
550S125-54	12	50	36' 1"	28' 8"	25' 0"	31' 6"	25' 0"	21' 10"	28' 8"	22' 9"	19' 10"
550S125-54	16	50	32' 9"	26' 0"	22' 9"	28' 8"	22' 9"	19' 10"	26' 0"	20' 8"	18' 0"
550S125-54	24	50	28' 8"	22' 9"	19' 10"	25' 0"	19' 10"	17' 4"	22' 9"	18' 0"	15' 9"
550S125-68	12	33	38' 8"	30' 9"	26' 10"	33' 10"	26' 10"	23' 5"	30' 9"	24' 5"	21' 4"
550S125-68	16	33	35' 2"	27' 11"	24' 5"	30' 9"	24' 5"	21' 4"	27' 11"	22' 2"	19' 4"
550S125-68	24	33	30' 9"	24' 5"	21' 4"	26' 7"	21' 4"	18' 7"	23' 0"	19' 4"	16' 11"
550S125-68	12	50	38' 8"	30' 9"	26' 10"	33' 10"	26' 10"	23' 5"	30' 9"	24' 5"	21' 4"
550S125-68	16	50	35' 2"	27' 11"	24' 5"	30' 9"	24' 5"	21' 4"	27' 11"	22' 2"	19' 4"
550S125-68	24	50	30' 9"	24' 5"	21' 4"	26' 10"	21' 4"	18' 7"	24' 5"	19' 4"	16' 11"
600S125-18	12	33	18' 2" e	18' 2" e	17' 10" e	14' 10" e	14' 10" e	14' 10" e	12' 10" e	12' 10" e	12' 10" e
600S125-18	16	33	15' 9" e	15' 9" e	15' 9" e	12' 10" e	12' 10" e	12' 10" e	11' 2" e	11' 2" e	11' 2" e
600S125-18	24	33	12' 10" e	12' 10" e	12' 10" e	10' 6" e	10' 6" e	10' 6" e	9' 1" e	9' 1" e	9' 1" e
600S125-27	12	33	24' 11"	24' 4"	21' 3"	20' 4"	20' 4"	18' 7"	17' 7"	17' 7"	16' 10"
600S125-27	16	33	21' 7"	21' 7"	19' 4"	17' 7"	17' 7"	16' 10"	15' 3"	15' 3"	15' 3"
600S125-27	24	33	17' 7"	17' 7"	16' 10"	14' 4" e	14' 4" e	14' 4" e	12' 5" e	12' 5" e	12' 5" e
600S125-30	12	33	26' 10"	25' 2"	22' 0"	21' 11"	21' 11"	19' 3"	19' 0"	19' 0"	17' 6"
600S125-30	16	33	23' 3"	22' 11"	20' 0"	19' 0"	19' 0"	17' 6"	16' 5"	16' 5"	15' 10"
600S125-30	24	33	19' 0"	19' 0"	17' 6"	15' 6"	15' 6"	15' 3"	13' 5" e	13' 5" e	13' 5" e
600S125-33	12	33	29' 0"	26' 2"	22' 10"	23' 9"	22' 10"	19' 11"	20' 6"	20' 6"	18' 1"
600S125-33	16	33	25' 2"	23' 9"	20' 9"	20' 6"	20' 6"	18' 1"	17' 9"	17' 9"	16' 6"
600S125-33	24	33	20' 6"	20' 6"	18' 1"	16' 9"	16' 9"	15' 10"	14' 6"	14' 6"	14' 5"
600S125-43	12	33	35' 6"	28' 9"	25' 1"	29' 0"	25' 1"	21' 11"	25' 2"	22' 10"	19' 11"
600S125-43	16	33	30' 9"	26' 1"	22' 10"	25' 2"	22' 10"	19' 11"	21' 9"	20' 9"	18' 1"
600S125-43	24	33	25' 2"	22' 10"	19' 11"	20' 6"	19' 11"	17' 5"	17' 9"	17' 9"	15' 10"

See Interior Non-Structural Non-Composite Table Notes

# Limiting Wall Heights - Non-Composite

## Interior Non-Structural Non-Composite

Stud Member	Spacing in, oc	F <sub>y</sub> , ksi	5 psf			7.5 psf			10 psf		
			L/120	L/240	L/360	L/120	L/240	L/360	L/120	L/240	L/360
600S125-54	12	33	38' 10"	30' 10"	26' 11"	33' 11"	26' 11"	23' 6"	29' 8"	24' 6"	21' 5"
600S125-54	16	33	35' 4"	28' 0"	24' 6"	29' 8"	24' 6"	21' 5"	25' 8"	22' 3"	19' 5"
600S125-54	24	33	29' 8"	24' 6"	21' 5"	24' 3"	21' 5"	18' 8"	21' 0"	19' 5"	17' 0"
600S125-54	12	50	38' 9"	30' 9"	26' 10"	33' 10"	26' 10"	23' 6"	30' 9"	24' 5"	21' 4"
600S125-54	16	50	35' 3"	27' 11"	24' 5"	30' 9"	24' 5"	21' 4"	27' 11"	22' 2"	19' 5"
600S125-54	24	50	30' 9"	24' 5"	21' 4"	26' 10"	21' 4"	18' 8"	24' 1"	19' 5"	16' 11"
600S125-68	12	33	41' 7"	33' 0"	28' 10"	36' 4"	28' 10"	25' 2"	33' 0"	26' 2"	22' 11"
600S125-68	16	33	37' 9"	30' 0"	26' 2"	33' 0"	26' 2"	22' 11"	30' 0"	23' 10"	20' 9"
600S125-68	24	33	33' 0"	26' 2"	22' 11"	28' 4"	22' 11"	20' 0"	24' 6"	20' 9"	18' 2"
600S125-68	12	50	41' 7"	33' 0"	28' 10"	36' 4"	28' 10"	25' 2"	33' 0"	26' 2"	22' 11"
600S125-68	16	50	37' 9"	30' 0"	26' 2"	33' 0"	26' 2"	22' 11"	30' 0"	23' 10"	20' 9"
600S125-68	24	50	33' 0"	26' 2"	22' 11"	28' 10"	22' 11"	20' 0"	26' 2"	20' 9"	18' 2"
800S125-33	12	33	33' 1"	32' 8"	28' 6"	27' 0"	27' 0"	24' 11"	23' 5"	23' 5"	22' 8"
800S125-33	16	33	28' 8"	28' 8"	25' 11"	23' 5"	23' 5"	22' 8"	20' 3"	20' 3"	20' 3"
800S125-33	24	33	23' 5"	23' 5"	22' 8"	19' 1"	19' 1"	19' 1"	16' 7" e	16' 7" e	16' 7" e
800S125-43	12	33	40' 11"	36' 1"	31' 6"	33' 5"	31' 6"	27' 6"	28' 11"	28' 8"	25' 0"
800S125-43	16	33	35' 6"	32' 9"	28' 8"	28' 11"	28' 8"	25' 0"	25' 1"	25' 1"	22' 9"
800S125-43	24	33	28' 11"	28' 8"	25' 0"	23' 8"	23' 8"	21' 10"	20' 6"	20' 6"	19' 10"
800S125-54	12	33	48' 10"	39' 1"	34' 2"	39' 11"	34' 2"	29' 10"	34' 6"	31' 1"	27' 2"
800S125-54	16	33	42' 4"	35' 7"	31' 1"	34' 6"	31' 1"	27' 2"	29' 11"	28' 3"	24' 8"
800S125-54	24	33	34' 6"	31' 1"	27' 2"	28' 2"	27' 2"	23' 8"	24' 5"	24' 5"	21' 6"
800S125-54	12	50	48' 10"	38' 9"	33' 10"	42' 8"	33' 10"	29' 7"	38' 9"	30' 9"	26' 10"
800S125-54	16	50	44' 4"	35' 2"	30' 9"	38' 9"	30' 9"	26' 10"	34' 1"	27' 11"	24' 5"
800S125-54	24	50	38' 9"	30' 9"	26' 10"	32' 1"	26' 10"	23' 6"	27' 10"	24' 5"	21' 4"
800S125-68	12	33	52' 11"	42' 0"	36' 8"	46' 3"	36' 8"	32' 1"	41' 0"	33' 4"	29' 2"
800S125-68	16	33	48' 1"	38' 2"	33' 4"	41' 0"	33' 4"	29' 2"	35' 6"	30' 4"	26' 6"
800S125-68	24	33	41' 0"	33' 4"	29' 2"	33' 6"	29' 2"	25' 5"	29' 0"	26' 6"	23' 1"
800S125-68	12	50	52' 11"	42' 0"	36' 8"	46' 2"	36' 8"	32' 0"	42' 0"	33' 4"	29' 1"
800S125-68	16	50	48' 1"	38' 2"	33' 4"	42' 0"	33' 4"	29' 1"	38' 2"	30' 3"	26' 5"
800S125-68	24	50	42' 0"	33' 4"	29' 1"	36' 8"	29' 1"	25' 5"	33' 4"	26' 5"	23' 1"

See Interior Non-Structural Non-Composite Table Notes

## Wall Height Table Notes

1. Lateral loads have not been modified for strength checks: full loads have been applied.
2. Calculated properties are based on AISI S100-07, North American Specification for the Design of Cold-Formed Steel Structural Members.
3. Lateral loads of 10 psf and higher wind pressures have been multiplied by 0.7 for deflection determination, in accordance with footnote "f" of IBC table 1604.3. The 5 psf live load has not been reduced.
4. Limiting heights are based upon continuous support of each flange over the full length of the stud.
5. Limiting heights are based upon steel properties alone (non-composite).
6. Web crippling checks are based upon end-one flange loading condition using 1-inch end bearing.
7. End shear and web crippling capacity have not been reduced for punchouts. Punchouts are assumed to be at least 10-inches from the end of members, in accordance with ASTM C955, section 4.6.
8. Where limiting heights are followed by "e", web stiffeners are required.
9. Curtain Wall 1-span (simple span) is a stud member that is attached to structure only at the top and bottom of the stud.

# Limiting Wall Heights - Curtain Wall 1-span



Stud Member	Spacing, in, oc	Fy, ksi	5 psf			15 psf			20 psf			25 psf			30 psf			35 psf			40 psf		
			L/120	L/240	L/360	L/240	L/360	L/600	L/240	L/360	L/600	L/240	L/360	L/600	L/240	L/360	L/600	L/240	L/360	L/600	L/240	L/360	L/600
250S137-33	12	33	17'6"	13'10"	12'11"	10'10"	9'5"	8'0"	9'10"	8'7"	7'3"	9'1"	8'0"	6'9"	8'4"	7'6"	6'4"	7'8"	7'2"	6'0"	7'2"	6'10"	5'9"
250S137-33	16	33	15'10"	12'7"	11'0"	9'10"	8'7"	7'3"	8'10"	7'10"	6'7"	7'10"	7'3"	6'1"	7'2"	6'10"	5'9"	6'8"	6'6"	5'6"	6'3"	6'2"	5'3"
250S137-33	24	33	13'10"	11'0"	9'7"	8'4"	7'6"	6'4"	7'2"	6'10"	5'9"	6'5"	6'4"	5'4"	5'10"	5'10"	5'0"	5'5"	5'5"	4'9"	5'1"	5'1"	4'7"
250S137-43	12	33	19'0"	15'1"	13'2"	11'9"	10'3"	8'8"	10'8"	9'4"	7'10"	9'11"	8'8"	7'4"	9'4"	8'2"	6'11"	8'10"	7'9"	6'6"	8'3"	7'5"	6'3"
250S137-43	16	33	17'3"	13'8"	11'11"	10'8"	9'4"	7'10"	9'9"	8'6"	7'2"	9'0"	7'10"	6'8"	8'3"	7'5"	6'3"	7'8"	7'0"	5'11"	7'2"	6'9"	5'8"
250S137-43	24	33	15'1"	11'11"	10'5"	9'4"	8'2"	6'11"	8'3"	7'5"	6'3"	7'5"	6'11"	5'10"	6'9"	6'6"	5'6"	6'3"	6'2"	5'2"	5'10"	5'10"	5'0"
250S137-54	12	33	20'3"	16'1"	14'1"	12'7"	11'0"	9'3"	11'5"	10'0"	8'5"	10'7"	9'3"	7'10"	10'0"	8'9"	7'4"	9'6"	8'3"	7'0"	9'1"	7'11"	6'8"
250S137-54	16	33	18'5"	14'8"	12'9"	11'5"	10'0"	8'5"	10'5"	9'1"	7'8"	9'8"	8'5"	7'1"	9'1"	7'11"	6'8"	8'6"	7'6"	6'4"	7'11"	7'2"	6'1"
250S137-54	24	33	16'1"	12'9"	11'2"	10'0"	8'9"	7'4"	9'1"	7'11"	6'8"	8'2"	7'4"	6'2"	7'6"	6'11"	5'10"	6'11"	6'7"	5'7"	6'6"	6'3"	5'4"
250S137-54	12	50	20'3"	16'1"	14'1"	12'7"	11'0"	9'3"	11'5"	10'0"	8'5"	10'7"	9'3"	7'10"	10'0"	8'9"	7'4"	9'6"	8'3"	7'0"	9'1"	7'11"	6'8"
250S137-54	16	50	18'5"	14'8"	12'9"	11'5"	10'0"	8'5"	10'5"	9'1"	7'8"	9'8"	8'5"	7'1"	9'1"	7'11"	6'8"	8'7"	7'6"	6'4"	8'3"	7'2"	6'1"
250S137-54	24	50	16'1"	12'9"	11'2"	10'0"	8'9"	7'4"	9'1"	7'11"	6'8"	8'5"	7'4"	6'2"	7'11"	6'11"	5'10"	7'6"	6'5"	5'7"	7'2"	6'3"	5'4"
250S137-68	12	33	21'8"	17'2"	15'0"	13'5"	11'9"	9'11"	12'2"	10'8"	9'0"	11'4"	9'11"	8'4"	10'8"	9'4"	7'10"	10'1"	8'10"	7'5"	9'8"	8'5"	7'1"
250S137-68	16	33	19'8"	15'7"	13'8"	12'2"	10'8"	9'0"	11'1"	9'8"	8'2"	10'3"	9'0"	7'7"	9'8"	8'5"	7'1"	9'2"	8'0"	6'9"	8'9"	7'8"	6'6"
250S137-68	24	33	17'2"	13'8"	11'11"	10'8"	9'4"	7'10"	9'8"	8'5"	7'1"	9'0"	7'10"	6'7"	8'3"	7'5"	6'3"	7'7"	7'0"	5'11"	7'2"	6'8"	5'8"
250S137-68	12	50	21'8"	17'2"	15'0"	13'5"	11'9"	9'11"	12'2"	10'8"	9'0"	11'4"	9'11"	8'4"	10'8"	9'4"	7'10"	10'1"	8'10"	7'5"	9'8"	8'5"	7'1"
250S137-68	16	50	19'8"	15'7"	13'8"	12'2"	10'8"	9'0"	11'1"	9'8"	8'2"	10'3"	9'0"	7'7"	9'8"	8'5"	7'1"	9'2"	8'0"	6'9"	8'9"	7'8"	6'6"
250S137-68	24	50	17'2"	13'8"	11'11"	10'8"	9'4"	7'10"	9'8"	8'5"	7'1"	9'0"	7'10"	6'7"	8'5"	7'5"	6'3"	8'0"	7'0"	5'11"	7'8"	6'8"	5'8"
250S162-33	12	33	18'4"	14'7"	12'9"	11'4"	9'11"	8'5"	10'4"	9'0"	7'7"	9'7"	8'5"	7'1"	8'11"	7'11"	6'8"	8'3"	7'6"	6'4"	7'8"	7'2"	6'0"
250S162-33	16	33	16'8"	13'3"	11'7"	10'4"	9'0"	7'7"	9'5"	8'2"	6'11"	8'5"	7'7"	6'5"	7'8"	7'2"	6'0"	7'2"	6'10"	5'9"	6'8"	6'6"	5'6"
250S162-33	24	33	14'7"	11'7"	10'1"	8'11"	7'11"	6'8"	7'8"	7'2"	6'0"	6'11"	6'8"	5'7"	6'3"	e 6'3"	e 5'3"	5'10"	e 5'10"	e 5'0"	5'5"	e 5'5"	e 4'10"
250S162-43	12	33	19'11"	15'10"	13'10"	12'4"	10'10"	9'1"	11'3"	9'10"	8'3"	10'5"	9'1"	7'8"	9'10"	8'7"	7'3"	9'4"	8'2"	6'10"	8'11"	7'9"	6'7"
250S162-43	16	33	18'1"	14'4"	12'7"	11'3"	9'10"	8'3"	10'2"	8'11"	7'6"	9'6"	8'3"	7'0"	8'11"	7'9"	6'7"	8'3"	7'5"	6'3"	7'9"	7'1"	6'0"
250S162-43	24	33	15'10"	12'7"	11'0"	9'10"	8'7"	7'3"	8'11"	7'9"	6'7"	8'0"	7'3"	6'1"	7'3"	6'10"	5'9"	6'9"	6'6"	5'5"	6'4"	6'2"	5'3"
250S162-54	12	33	21'4"	16'11"	14'9"	13'3"	11'7"	9'9"	12'0"	10'6"	8'10"	11'2"	9'9"	8'3"	10'6"	9'2"	7'9"	10'0"	8'8"	7'4"	9'6"	8'4"	7'0"
250S162-54	16	33	19'4"	15'5"	13'5"	12'0"	10'6"	8'10"	10'11"	9'6"	8'0"	10'2"	8'10"	7'6"	9'6"	8'4"	7'0"	9'1"	7'11"	6'8"	8'7"	7'7"	6'5"
250S162-54	24	33	16'11"	13'5"	11'9"	10'6"	9'2"	7'9"	9'6"	8'4"	7'0"	8'10"	7'9"	6'6"	8'1"	7'3"	6'2"	7'6"	6'11"	5'10"	7'0"	6'7"	5'7"
250S162-54	12	50	21'4"	16'11"	14'9"	13'3"	11'7"	9'9"	12'0"	10'6"	8'10"	11'2"	9'9"	8'3"	10'6"	9'2"	7'9"	10'0"	8'8"	7'4"	9'6"	8'4"	7'0"
250S162-54	16	50	19'4"	15'5"	13'5"	12'0"	10'6"	8'10"	10'11"	9'6"	8'0"	10'2"	8'10"	7'6"	9'6"	8'4"	7'0"	9'1"	7'11"	6'8"	8'8"	7'7"	6'5"
250S162-54	24	50	16'11"	13'5"	11'9"	10'6"	9'2"	7'9"	9'6"	8'4"	7'0"	8'10"	7'9"	6'6"	8'4"	7'3"	6'2"	7'11"	6'11"	5'10"	7'7"	6'7"	5'7"
250S162-68	12	33	22'9"	18'1"	15'9"	14'1"	12'4"	10'5"	12'10"	11'2"	9'5"	11'11"	10'5"	8'9"	11'2"	9'9"	8'3"	10'8"	9'4"	7'10"	10'2"	8'11"	7'6"
250S162-68	16	33	20'8"	16'5"	14'4"	12'10"	11'2"	9'5"	11'8"	10'2"	8'7"	10'10"	9'5"	8'0"	10'2"	8'11"	7'6"	9'8"	8'5"	7'1"	9'3"	8'1"	6'10"
250S162-68	24	33	18'1"	14'4"	12'6"	11'2"	9'9"	8'3"	10'2"	8'11"	7'6"	9'5"	8'3"	7'0"	8'11"	7'9"	6'7"	8'3"	7'5"	6'3"	7'8"	7'1"	5'11"
250S162-68	12	50	22'9"	18'1"	15'9"	14'1"	12'4"	10'5"	12'10"	11'2"	9'5"	11'11"	10'5"	8'9"	11'2"	9'9"	8'3"	10'8"	9'4"	7'10"	10'2"	8'11"	7'6"
250S162-68	16	50	20'8"	16'5"	14'4"	12'10"	11'2"	9'5"	11'8"	10'2"	8'7"	10'10"	9'5"	8'0"	10'2"	8'11"	7'6"	9'8"	8'5"	7'1"	9'3"	8'1"	6'10"
250S162-68	24	50	18'1"	14'4"	12'6"	11'2"	9'9"	8'3"	10'2"	8'11"	7'6"	9'5"	8'3"	7'0"	8'11"	7'9"	6'7"	8'5"	7'5"	6'3"	8'1"	7'1"	5'11"
350S162-33	12	33	23'9"	18'10"	16'5"	14'8"	12'10"	10'10"	13'2"	11'8"	9'10"	11'9"	10'10"	9'2"	10'9"	10'2"	8'7"	9'11"	e 9'8"	e 8'2"	9'4"	e 9'3"	e 7'10"
350S162-33	16	33	21'7"	17'1"	14'11"	13'2"	11'8"	9'10"	11'5"	10'7"	8'11"	10'2"	e 9'10"	8'4"	9'4"	e 9'3"	e 7'10"	8'7"	e 8'7"	e 7'5"	8'1"	e 8'1"	e 7'1"
350S162-33	24	33	18'8"	14'11"	13'1"	10'9"	10'2"	8'7"	9'4"	e 9'3"	e 7'10"	8'4"	e 8'4"	e 7'3"	e 7'7"	e 7'7"	e 6'10"	7'0"	e 7'0"	e 6'6"	6'7"	e 6'7"	e 6'2"
350S162-43	12	33	25'10"	20'6"	17'11"	16'0"	14'0"	11'9"	14'6"	12'8"	10'8"	13'6"	11'9"	9'11"	12'8"	11'1"	9'4"	11'8"	10'6"	8'11"	10'11"	10'1"	8'6"
350S162-43	16	33	23'5"	18'7"	16'3"	14'6"	12'8"	10'8"	13'2"	11'6"	9'9"	12'0"	10'8"	9'0"	10'11"	10'1"	8'6"	10'2"	9'7"	8'1"	9'6"	9'2"	7'9"
350S162-43	24	33	20'6"	16'3"	14'2"	12'8"	11'1"	9'4"	10'11"	10'1"	8'6"	9'9"	9'4"	7'11"	8'11"	8'10"	7'5"	8'3"	e 8'3"	e 7'1"	7'9"	e 7'9"	e 6'9"
350S162-54	12	33	27'8"	21'11"	19'2"	17'2"	15'0"	12'7"	15'7"	13'7"	11'6"	14'5"	12'7"	10'8"	13'7"	11'10"	10'0"	12'11"	11'3"	9'6"	12'4"	10'9"	9'1"
350S162-54	16	33	25'1"	19'11"	17'5"	15'7"	13'7"	11'6"	14'2"	12'4"	10'5"	13'1"	11'6"	9'8"	12'4"	10'9"	9'1"	11'5"	10'3"	8'8"	10'8"	9'10"	8'3"
350S162-54	24	33	21'11"	17'5"	15'2"	13'7"	11'10"	10'0"	12'4"	10'9"	9'1"	11'0"	10'0"	8'5"	10'1"	9'5"	7'11"	9'4"	8'11"	7'7"	8'8"	8'7"	7'3"
350S162-54	12	50	27'8"	21'11"	19'2"	17'2"	15'0"	12'7"	15'7"	13'7"	11'6"	14'5"	12'7"	10'8"	13'7"	11'10"	10'0"	12'11"	11'3"	9'6"	12'4"	10'9"	9'1"
350S162-54	16	50	25'1"	19'11"	17'5"	15'7"	13'7"	11'6"	14'2"	12'4"	10'5"	13'1"	11'6"	9'8"	12'4"	10'9"	9'1"	11'9"	10'3"	8'8"	11'3"	9'10"	8'3"
350S162-54	24	50	21'11"	17'5"	15'2"	13'7"	11'10"	10'0"	12'4"	10'9"	9'1"	11'6"	10'0"	8'5"	10'9"	9'5"	7'11"	10'3"	8'11"	7'7"	9'10"	8'7"	7'3"
350S162-68	12	33	29'7"	23'6"	20'6"	18'4"	16'0"	13'6"	16'8"	14'6"	12'3"	15'5"	13'6"	11'5"	14'6"	12'8"	10'9"	13'10"	12'1"	10'2"	13'3"	11'6"	9'9"
350S162-68	16	33	26'10"	21'4"	18'7"	16'8"	14'6"	12'3"	15'1"	13'3"	11'2"	14'0"	12'3"	10'4"	13'3"	11'6"	9'9"	12'7"	11'0"	9'3"	11'9"	10'6"	8'10"
350S162-68	24	33	23'6"	18'7"	16'3"	14'6"	12'8"	10'9"	13'3"	11'6"	9'9"	12'2"	10'9"	9'0"	11'1"	10'1"	8'6"	10'3"	9'7"	8'1"	9'8"	9'2"	7'9"
350S162-68	12	50	29'7"	23'6"	20'6"	18'4"	16'0"	13'6"	16'8"	14'6"	12'3"	15'5"	13'6"	11'5"	14'6"	12'8"	10'9"	13'10"	12'1"	10'2"	13'3"	11'6"	9'9"
350S162-68	16	50	26'10"	21'4"	18'7"	16'8"	14'6"	12'3"	15'1"	13'3"	11'2"	14'0"	12'3"	10'4"	13'3"	11'6"	9'9"	12'7"	11'0"	9'3"	12'0"	10'6"	8'10"
350S162-68	24	50	23'6"	18'7"	16'3"	14'6"	12'8"	10'9"	13'3"	11'6"	9'9"	12'3"	10'9"	9'0"	11'6"	10'1"	8'6"	11'0"	9'7"	8'1"	10'6"	9'2"	7'9"
350S162-97	12	33	32'7"	25'10"	22'7"	20'2"	17'8"	14'11"	18'4"	16'0"	13'6"	17'0"	14'11"	12'7"	16'0"	14'0"	11'10"	15'3"	13'4"	11'3"	14'7"	12'9"	10'9"
350S162-97	16	33	29'7"	23'6"	20'6"																		



# Limiting Wall Heights - Curtain Wall 1-span



Stud Member	Spacing, in, oc	Fy, ksi	5 psf			15 psf			20 psf			25 psf			30 psf			35 psf			40 psf		
			L/120	L/240	L/360	L/240	L/360	L/600	L/240	L/360	L/600	L/240	L/360	L/600	L/240	L/360	L/600	L/240	L/360	L/600	L/240	L/360	L/600
350S200-54	12	33	29'3"	23'2"	20'3"	18'1"	15'10"	13'4"	16'5"	14'4"	12'1"	15'3"	13'4"	11'3"	14'4"	12'7"	10'7"	13'8"	11'11"	10'1"	13'1"	11'5"	9'7"
350S200-54	16	33	26'6"	21'1"	18'5"	16'5"	14'4"	12'1"	14'11"	13'1"	11'0"	13'10"	12'1"	10'3"	13'1"	11'5"	9'7"	12'5"	10'10"	9'2"	11'7"	10'4"	8'9"
350S200-54	24	33	23'2"	18'5"	16'1"	14'4"	12'7"	10'7"	13'1"	11'5"	9'7"	12'0"	10'7"	8'11"	10'11"	10'0"	8'5"	10'1"	9'6"	8'0"	9'5"	9'1"	7'8"
350S200-54	12	50	29'3"	23'2"	20'3"	18'1"	15'10"	13'4"	16'5"	14'4"	12'1"	15'3"	13'4"	11'3"	14'4"	12'7"	10'7"	13'8"	11'11"	10'1"	13'1"	11'5"	9'7"
350S200-54	16	50	26'6"	21'1"	18'5"	16'5"	14'4"	12'1"	14'11"	13'1"	11'0"	13'10"	12'1"	10'3"	13'1"	11'5"	9'7"	12'5"	10'10"	9'2"	11'10"	10'4"	8'9"
350S200-54	24	50	23'2"	18'5"	16'1"	14'4"	12'7"	10'7"	13'1"	11'5"	9'7"	12'1"	10'7"	8'11"	11'5"	10'0"	8'5"	10'10"	9'6"	8'0"	10'4"	9'1"	7'8"
350S200-68	12	33	31'3"	24'10"	21'8"	19'5"	16'11"	14'3"	17'7"	15'5"	13'0"	16'4"	14'3"	12'1"	15'5"	13'5"	11'4"	14'7"	12'9"	10'9"	14'0"	12'3"	10'4"
350S200-68	16	33	28'5"	22'7"	19'8"	17'7"	15'5"	13'0"	16'0"	14'0"	11'9"	14'10"	13'0"	10'11"	14'0"	12'3"	10'4"	13'3"	11'7"	9'9"	12'8"	11'1"	9'4"
350S200-68	24	33	24'10"	19'8"	17'3"	15'5"	13'5"	11'4"	14'0"	12'3"	10'4"	13'0"	11'4"	9'7"	12'1"	10'8"	9'0"	11'2"	10'2"	8'7"	10'6"	9'8"	8'2"
350S200-68	12	50	31'3"	24'10"	21'8"	19'5"	16'11"	14'3"	17'7"	15'5"	13'0"	16'4"	14'3"	12'1"	15'5"	13'5"	11'4"	14'7"	12'9"	10'9"	14'0"	12'3"	10'4"
350S200-68	16	50	28'5"	22'7"	19'8"	17'7"	15'5"	13'0"	16'0"	14'0"	11'9"	14'10"	13'0"	10'11"	14'0"	12'3"	10'4"	13'3"	11'7"	9'9"	12'8"	11'1"	9'4"
350S200-68	24	50	24'10"	19'8"	17'3"	15'5"	13'5"	11'4"	14'0"	12'3"	10'4"	13'0"	11'4"	9'7"	12'3"	10'8"	9'0"	11'7"	10'2"	8'7"	11'1"	9'8"	8'2"
350S200-97	12	33	34'7"	27'5"	24'0"	21'5"	18'9"	15'10"	19'6"	17'0"	14'4"	18'1"	15'10"	13'4"	17'0"	14'10"	12'6"	16'2"	14'1"	11'11"	15'5"	13'6"	11'5"
350S200-97	16	33	31'5"	24'11"	21'9"	19'6"	17'0"	14'4"	17'8"	15'5"	13'0"	16'5"	14'4"	12'1"	15'5"	13'6"	11'5"	14'8"	12'10"	10'10"	14'1"	12'3"	10'4"
350S200-97	24	33	27'5"	21'9"	19'0"	17'0"	14'10"	12'6"	15'5"	13'6"	11'5"	14'4"	12'6"	10'7"	13'6"	11'10"	9'11"	12'10"	11'2"	9'5"	12'2"	10'9"	9'0"
350S200-97	12	50	34'7"	27'5"	24'0"	21'5"	18'9"	15'10"	19'6"	17'0"	14'4"	18'1"	15'10"	13'4"	17'0"	14'10"	12'6"	16'2"	14'1"	11'11"	15'5"	13'6"	11'5"
350S200-97	16	50	31'5"	24'11"	21'9"	19'6"	17'0"	14'4"	17'8"	15'5"	13'0"	16'5"	14'4"	12'1"	15'5"	13'6"	11'5"	14'8"	12'10"	10'10"	14'1"	12'3"	10'4"
350S200-97	24	50	27'5"	21'9"	19'0"	17'0"	14'10"	12'6"	15'5"	13'6"	11'5"	14'4"	12'6"	10'7"	13'6"	11'10"	9'11"	12'10"	11'2"	9'5"	12'2"	10'9"	9'0"
362S137-33	12	33	23'3"	18'5"	16'1"	14'5"	12'7"	10'7"	12'7"	11'5"	9'8"	11'3"	10'7"	8'11"	10'3"	10'0"	8'5"	9'6"	9'6"	8'0"	8'10"	8'10"	7'8"
362S137-33	16	33	21'1"	16'9"	14'8"	12'7"	11'5"	9'8"	10'10"	10'5"	8'9"	9'9"	9'8"	8'2"	8'10"	8'10"	7'8"	8'3"	8'3"	7'3"	7'8"	7'8"	6'11"
362S137-33	24	33	17'9"	14'8"	12'10"	10'3"	10'0"	8'5"	8'10"	8'10"	7'8"	7'11"	7'11"	7'1"	7'3"	7'3"	6'8"	6'8"	6'8"	6'4"	6'3"	6'3"	6'1"
362S137-43	12	33	25'3"	20'1"	17'6"	15'8"	13'8"	11'7"	14'3"	12'5"	10'6"	13'2"	11'7"	9'9"	12'0"	10'10"	9'2"	11'1"	10'4"	8'8"	10'5"	9'10"	8'4"
362S137-43	16	33	23'0"	18'3"	15'11"	14'3"	12'5"	10'6"	12'9"	11'4"	9'6"	11'5"	10'6"	8'10"	10'5"	9'10"	8'4"	9'7"	9'5"	7'11"	9'0"	9'0"	7'7"
362S137-43	24	33	20'1"	15'11"	13'11"	12'0"	10'10"	9'2"	10'5"	9'10"	8'4"	9'4"	9'2"	7'9"	8'6"	8'6"	7'3"	7'10"	7'10"	6'11"	7'4"	7'4"	6'7"
362S137-54	12	33	27'1"	21'6"	18'9"	16'9"	14'8"	12'4"	15'3"	13'4"	11'3"	14'2"	12'4"	10'5"	13'4"	11'8"	9'10"	12'6"	11'1"	9'4"	11'9"	10'7"	8'11"
362S137-54	16	33	24'7"	19'6"	17'1"	15'3"	13'4"	11'3"	13'10"	12'1"	10'2"	12'10"	11'3"	9'6"	11'9"	10'7"	8'11"	10'10"	10'0"	8'6"	10'2"	9'7"	8'1"
362S137-54	24	33	21'6"	17'1"	14'11"	13'4"	11'8"	9'10"	11'9"	10'7"	8'11"	10'6"	9'10"	8'3"	9'7"	9'3"	7'9"	8'10"	8'9"	7'5"	8'3"	8'3"	7'1"
362S137-54	12	50	27'1"	21'6"	18'9"	16'9"	14'8"	12'4"	15'3"	13'4"	11'3"	14'2"	12'4"	10'5"	13'4"	11'8"	9'10"	12'8"	11'1"	9'4"	12'1"	10'7"	8'11"
362S137-54	16	50	24'7"	19'6"	17'1"	15'3"	13'4"	11'3"	13'10"	12'1"	10'2"	12'10"	11'3"	9'6"	12'1"	10'7"	8'11"	11'6"	10'0"	8'6"	11'0"	9'7"	8'1"
362S137-54	24	50	21'6"	17'1"	14'11"	13'4"	11'8"	9'10"	12'1"	10'7"	8'11"	11'3"	9'10"	8'3"	10'7"	9'3"	7'9"	10'0"	8'9"	7'5"	9'7"	8'5"	7'1"
362S137-68	12	33	28'11"	22'11"	20'1"	17'11"	15'8"	13'2"	16'3"	14'3"	12'0"	15'1"	13'2"	11'2"	14'3"	12'5"	10'6"	13'6"	11'10"	9'11"	12'11"	11'4"	9'6"
362S137-68	16	33	26'3"	20'10"	18'3"	16'3"	14'3"	12'0"	14'10"	12'11"	10'11"	13'9"	12'0"	10'1"	12'11"	11'4"	9'6"	12'0"	10'9"	9'1"	11'3"	10'3"	8'8"
362S137-68	24	33	22'11"	18'3"	15'11"	14'3"	12'5"	10'6"	12'11"	11'4"	9'6"	11'7"	10'6"	8'10"	10'7"	9'10"	8'4"	9'9"	9'4"	7'11"	9'2"	9'0"	7'7"
362S137-68	12	50	28'11"	22'11"	20'1"	17'11"	15'8"	13'2"	16'3"	14'3"	12'0"	15'1"	13'2"	11'2"	14'3"	12'5"	10'6"	13'6"	11'10"	9'11"	12'11"	11'4"	9'6"
362S137-68	16	50	26'3"	20'10"	18'3"	16'3"	14'3"	12'0"	14'10"	12'11"	10'11"	13'9"	12'0"	10'1"	12'11"	11'4"	9'6"	12'3"	10'9"	9'1"	11'9"	10'3"	8'8"
362S137-68	24	50	22'11"	18'3"	15'11"	14'3"	12'5"	10'6"	12'11"	11'4"	9'6"	12'0"	10'6"	8'10"	11'4"	9'10"	8'4"	10'9"	9'4"	7'11"	10'3"	9'0"	7'7"
362S162-33	12	33	24'4"	19'4"	16'11"	15'1"	13'2"	11'1"	13'5"	12'0"	10'1"	12'0"	11'1"	9'5"	11'0"	10'6"	8'10"	10'2"	9'4"	8'5"	9'6"	9'6"	8'0"
362S162-33	16	33	22'2"	17'7"	15'4"	13'5"	12'0"	10'1"	11'8"	10'11"	9'2"	10'5"	10'1"	8'6"	9'6"	9'6"	8'0"	8'10"	8'10"	7'7"	8'3"	8'3"	7'3"
362S162-33	24	33	19'0"	15'4"	13'5"	11'0"	10'6"	8'10"	9'6"	9'6"	8'0"	8'6"	8'6"	7'5"	7'9"	7'9"	7'0"	7'2"	7'2"	6'8"	6'9"	6'9"	6'4"
362S162-43	12	33	26'6"	21'0"	18'5"	16'5"	14'4"	12'1"	14'11"	13'0"	11'0"	13'10"	12'1"	10'2"	12'11"	11'5"	9'7"	11'11"	10'10"	9'1"	11'2"	10'4"	8'9"
362S162-43	16	33	24'1"	19'1"	16'8"	14'11"	13'0"	11'0"	13'7"	11'10"	10'0"	12'3"	11'0"	9'3"	11'2"	10'4"	8'9"	10'4"	9'10"	8'3"	9'8"	9'5"	7'11"
362S162-43	24	33	21'0"	16'8"	14'7"	12'11"	11'5"	9'7"	11'2"	10'4"	8'9"	10'0"	9'7"	8'11"	9'2"	9'0"	7'9"	8'5"	8'5"	7'3"	7'11"	7'11"	6'11"
362S162-54	12	33	28'5"	22'6"	19'8"	17'7"	15'4"	13'0"	16'0"	14'0"	11'9"	14'10"	13'0"	10'11"	14'0"	12'2"	10'3"	13'3"	11'7"	9'9"	12'7"	11'1"	9'4"
362S162-54	16	33	25'10"	20'6"	17'11"	16'0"	14'0"	11'9"	14'6"	12'8"	10'8"	13'6"	11'9"	9'11"	12'7"	11'1"	9'4"	11'8"	10'6"	8'11"	10'11"	10'1"	8'6"
362S162-54	24	33	22'6"	17'11"	15'7"	14'0"	12'2"	10'3"	12'7"	11'1"	9'4"	11'3"	10'3"	8'8"	10'3"	9'8"	8'2"	9'6"	9'2"	7'9"	8'11"	8'10"	7'5"
362S162-54	12	50	28'5"	22'6"	19'8"	17'7"	15'4"	13'0"	16'0"	14'0"	11'9"	14'10"	13'0"	10'11"	14'0"	12'2"	10'3"	13'3"	11'7"	9'9"	12'8"	11'1"	9'4"
362S162-54	16	50	25'10"	20'6"	17'11"	16'0"	14'0"	11'9"	14'6"	12'8"	10'8"	13'6"	11'9"	9'11"	12'8"	11'1"	9'4"	12'1"	10'6"	8'11"	11'6"	10'1"	8'6"
362S162-54	24	50	22'6"	17'11"	15'7"	14'0"	12'2"	10'3"	12'8"	11'1"	9'4"	11'9"	10'3"	8'8"	11'1"	9'8"	8'2"	10'6"	9'2"	7'9"	10'1"	8'10"	7'5"
362S162-68	12	33	30'5"	24'1"	21'1"	18'10"	16'5"	13'10"	17'1"	14'11"	12'7"	15'11"	13'10"	11'8"	14'11"	13'1"	11'0"	14'2"	12'5"	10'6"	13'7"	11'10"	10'0"
362S162-68	16	33	27'7"	21'11"	19'2"	17'1"	14'11"	12'7"	15'6"	13'7"	11'5"	14'5"	12'7"	10'8"	13'7"	11'10"	10'0"	12'11"	11'3"	9'6"	12'1"	10'9"	9'1"
362S162-68	24	33	24'1"	19'2"	16'9"	14'11"	13'1"	11'0"	13'7"	11'10"	10'0"	12'6"	11'0"	9'3"	11'5"	10'4"	8'9"	10'6"	9'10"	8'4"	9'10"	9'5"	7'11"
362S162-68	12	50	30'5"	24'1"	21'1"	18'10"	16'5"	13'10"	17'1"	14'11"	12'7"	15'11"	13'10"	11'8"	14'11"	13'1"	11'0"	14'2"	12'5"	10'6"	13'7"	11'10"	10'0"
362S162-68	16	50	27'7"	21'11"	19'2"	17'1"	14'11"	12'7"	15'6"	13'7"	11'5"	14'5"	12'7"	10'8"	13'7"	11'10"	10'0"	12'11"	11'3"	9'6"	12'4"	10'9"	9'1"
362S162-68	24	50	24'1"	19'2"	16'9"	14'11"	13'1"	11'0"	13'7"	11'10"	10'0"	12'7"	11'0"	9'3"	11'10"	10'4"</							

# Limiting Wall Heights - Curtain Wall 1-span



Stud Member	Spacing, in, oc	Fy, ksi	5 psf			15 psf			20 psf			25 psf			30 psf			35 psf			40 psf		
			L/120	L/240	L/360	L/240	L/360	L/600	L/240	L/360	L/600	L/240	L/360	L/600	L/240	L/360	L/600	L/240	L/360	L/600	L/240	L/360	L/600
362S200-43	12	33	28 0"	22 3"	19 5"	17 4"	15 2"	12 9"	15 9"	13 9"	11 7"	14 8"	12 9"	10 9"	13 9"	12 0"	10 2"	12 10"	11 5"	9 8"	12 0"	10 11"	9 3"
362S200-43	16	33	25 5"	20 2"	17 8"	15 9"	13 9"	11 7"	14 4"	12 6"	10 7"	13 1"	11 7"	9 10"	12 0"	10 11"	9 3"	11 1"	10 5"	8 9"	10 4"	9 11"	8 4"
362S200-43	24	33	22 3"	17 8"	15 5"	13 9"	12 0"	10 2"	12 0"	10 11"	9 3"	10 8"	10 2"	8 7"	9 9"	9 7"	8 1"	9 1"	9 1"	8 7"	8 6"	8 6"	7 4"
362S200-54	12	33	30 0"	23 10"	20 10"	18 7"	16 3"	13 8"	16 11"	14 9"	12 5"	15 8"	13 8"	11 7"	14 9"	12 11"	10 11"	14 0"	12 3"	10 4"	13 5"	11 9"	9 11"
362S200-54	16	33	27 3"	21 8"	18 11"	16 11"	14 9"	12 5"	15 4"	13 5"	11 4"	14 3"	12 5"	10 6"	13 5"	11 9"	9 11"	12 8"	11 2"	9 5"	11 10"	10 8"	9 0"
362S200-54	24	33	23 10"	18 11"	16 6"	14 9"	12 11"	10 11"	13 5"	11 9"	9 11"	12 3"	10 11"	9 2"	11 2"	10 3"	8 8"	10 4"	9 9"	8 2"	9 8"	9 4"	7 10"
362S200-54	12	50	30 0"	23 10"	20 10"	18 7"	16 3"	13 8"	16 11"	14 9"	12 5"	15 8"	13 8"	11 7"	14 9"	12 11"	10 11"	14 0"	12 3"	10 4"	13 5"	11 9"	9 11"
362S200-54	16	50	27 3"	21 8"	18 11"	16 11"	14 9"	12 5"	15 4"	13 5"	11 4"	14 3"	12 5"	10 6"	13 5"	11 9"	9 11"	12 9"	11 2"	9 5"	12 2"	10 8"	9 0"
362S200-54	24	50	23 10"	18 11"	16 6"	14 9"	12 11"	10 11"	13 5"	11 9"	9 11"	12 5"	10 11"	9 2"	11 9"	10 3"	8 8"	11 2"	9 9"	8 2"	10 8"	9 4"	7 10"
362S200-68	12	33	32 2"	25 6"	22 3"	19 11"	17 5"	14 8"	18 1"	15 10"	13 4"	16 10"	14 8"	12 5"	15 10"	13 10"	11 8"	15 0"	13 1"	11 1"	14 4"	12 7"	10 7"
362S200-68	16	33	29 2"	23 2"	20 3"	18 1"	15 10"	13 4"	16 5"	14 4"	12 1"	15 3"	13 4"	11 3"	14 4"	12 7"	10 7"	13 8"	11 11"	10 1"	13 1"	11 5"	9 7"
362S200-68	24	33	25 6"	20 3"	17 8"	15 10"	13 10"	11 8"	14 4"	12 7"	10 7"	13 4"	11 8"	9 10"	12 5"	11 0"	9 3"	11 6"	10 5"	8 9"	10 9"	10 0"	8 5"
362S200-68	12	50	32 2"	25 6"	22 3"	19 11"	17 5"	14 8"	18 1"	15 10"	13 4"	16 10"	14 8"	12 5"	15 10"	13 10"	11 8"	15 0"	13 1"	11 1"	14 4"	12 7"	10 7"
362S200-68	16	50	29 2"	23 2"	20 3"	18 1"	15 10"	13 4"	16 5"	14 4"	12 1"	15 3"	13 4"	11 3"	14 4"	12 7"	10 7"	13 8"	11 11"	10 1"	13 1"	11 5"	9 7"
362S200-68	24	50	25 6"	20 3"	17 8"	15 10"	13 10"	11 8"	14 4"	12 7"	10 7"	13 4"	11 8"	9 10"	12 7"	11 0"	9 3"	11 11"	10 5"	8 9"	11 5"	10 0"	8 5"
362S200-97	12	33	35 6"	28 3"	24 8"	22 0"	19 3"	16 3"	18 7"	16 3"	14 9"	18 7"	16 3"	13 8"	17 6"	15 3"	12 11"	16 7"	14 6"	12 3"	15 11"	13 11"	11 8"
362S200-97	16	33	32 3"	25 8"	22 5"	20 0"	17 6"	14 9"	18 2"	15 11"	13 5"	16 11"	14 9"	12 5"	15 11"	13 11"	11 8"	15 1"	13 2"	11 1"	14 5"	12 7"	10 8"
362S200-97	24	33	28 3"	22 5"	19 7"	17 6"	15 3"	12 11"	15 11"	13 11"	11 8"	14 9"	12 11"	10 10"	13 11"	12 1"	10 3"	13 2"	11 6"	9 9"	12 6"	11 0"	9 3"
362S200-97	12	50	35 6"	28 3"	24 8"	22 0"	19 3"	16 3"	18 7"	16 3"	14 9"	18 7"	16 3"	13 8"	17 6"	15 3"	12 11"	16 7"	14 6"	12 3"	15 11"	13 11"	11 8"
362S200-97	16	50	32 3"	25 8"	22 5"	20 0"	17 6"	14 9"	18 2"	15 11"	13 5"	16 11"	14 9"	12 5"	15 11"	13 11"	11 8"	15 1"	13 2"	11 1"	14 5"	12 7"	10 8"
362S200-97	24	50	28 3"	22 5"	19 7"	17 6"	15 3"	12 11"	15 11"	13 11"	11 8"	14 9"	12 11"	10 10"	13 11"	12 1"	10 3"	13 2"	11 6"	9 9"	12 7"	11 0"	9 3"
362S250-33	12	33	26 8"	21 2"	18 6"	16 6"	14 5"	12 2"	14 7"	13 2"	11 1"	13 0"	12 2"	10 3"	11 11"	11 6"	9 8"	11 0"	10 11"	9 2"	10 4"	10 4"	8 9"
362S250-33	16	33	24 3"	19 3"	16 10"	14 7"	13 2"	11 1"	12 7"	11 11"	10 1"	11 3"	11 1"	9 4"	10 4"	10 4"	8 9"	9 6"	9 6"	8 4"	8 11"	8 11"	8 0"
362S250-33	24	33	20 7"	16 10"	14 8"	11 11"	11 6"	9 8"	10 4"	10 4"	8 9"	9 3"	9 3"	8 2"	8 5"	8 5"	7 8"	7 9"	7 9"	7 4"	7 3"	7 3"	7 0"
362S250-43	12	33	29 6"	23 5"	20 6"	18 4"	16 0"	13 6"	16 7"	14 6"	12 3"	15 5"	13 6"	11 4"	14 2"	12 8"	10 8"	13 1"	12 1"	10 2"	12 3"	11 6"	9 9"
362S250-43	16	33	26 10"	21 3"	18 7"	16 7"	14 6"	12 3"	15 0"	13 2"	11 2"	13 5"	12 3"	10 4"	12 3"	11 6"	9 9"	11 4"	10 11"	9 3"	10 8"	10 6"	8 10"
362S250-43	24	33	23 5"	18 7"	16 3"	14 2"	12 8"	10 8"	12 3"	11 6"	9 9"	11 0"	10 8"	9 0"	10 0"	10 0"	8 6"	9 3"	9 3"	8 1"	8 8"	8 8"	7 9"
362S250-54	12	33	31 8"	25 2"	21 11"	19 7"	17 2"	14 6"	17 10"	15 7"	13 2"	16 7"	14 6"	12 2"	15 7"	13 7"	11 6"	14 10"	12 11"	10 11"	13 11"	12 4"	10 5"
362S250-54	16	33	28 9"	22 10"	19 11"	17 10"	15 7"	13 2"	17 10"	14 2"	11 11"	15 0"	13 2"	11 1"	13 11"	12 4"	10 5"	12 11"	11 9"	9 11"	12 1"	11 3"	9 6"
362S250-54	24	33	25 2"	19 11"	17 5"	15 7"	13 7"	11 6"	13 11"	12 4"	10 5"	12 6"	11 6"	9 8"	11 4"	10 10"	9 1"	10 6"	10 3"	8 8"	9 10"	9 10"	8 3"
362S250-54	12	50	31 7"	25 1"	21 11"	19 7"	17 1"	14 5"	17 9"	15 6"	13 1"	16 6"	14 5"	12 2"	15 6"	13 7"	11 5"	14 9"	12 11"	10 10"	14 1"	12 4"	10 5"
362S250-54	16	50	28 8"	22 9"	19 11"	17 9"	15 6"	13 1"	16 2"	14 1"	11 11"	15 0"	13 1"	11 1"	14 1"	12 4"	10 5"	13 5"	11 8"	9 10"	12 10"	11 2"	9 5"
362S250-54	24	50	25 1"	19 11"	17 4"	15 6"	13 7"	11 5"	14 1"	12 4"	10 5"	13 1"	11 5"	9 8"	12 4"	10 9"	9 1"	11 8"	10 3"	8 7"	11 2"	9 9"	8 3"
362S250-68	12	33	33 11"	26 11"	23 6"	21 0"	18 5"	15 6"	19 1"	16 8"	14 1"	17 9"	15 6"	13 1"	16 8"	14 7"	12 4"	15 10"	13 10"	11 8"	15 2"	13 3"	11 2"
362S250-68	16	33	30 10"	24 6"	21 5"	19 1"	16 8"	14 1"	17 4"	15 2"	12 10"	16 1"	14 1"	11 11"	15 2"	13 3"	11 2"	14 5"	12 7"	10 7"	13 9"	12 0"	10 2"
362S250-68	24	33	26 11"	21 5"	18 8"	16 8"	14 7"	12 4"	15 2"	13 3"	11 2"	14 1"	12 4"	10 5"	13 3"	11 7"	9 9"	12 5"	11 0"	9 3"	11 8"	10 6"	8 10"
362S250-68	12	50	33 11"	26 11"	23 6"	21 0"	18 5"	15 6"	19 1"	16 8"	14 1"	17 9"	15 6"	13 1"	16 8"	14 7"	12 4"	15 10"	13 10"	11 8"	15 2"	13 3"	11 2"
362S250-68	16	50	30 10"	24 6"	21 5"	19 1"	16 8"	14 1"	17 4"	15 2"	12 10"	16 1"	14 1"	11 11"	15 2"	13 3"	11 2"	14 5"	12 7"	10 7"	13 9"	12 0"	10 2"
362S250-68	24	50	26 11"	21 5"	18 8"	16 8"	14 7"	12 4"	15 2"	13 3"	11 2"	14 1"	12 4"	10 5"	13 3"	11 7"	9 9"	12 7"	11 0"	9 3"	12 0"	10 6"	8 10"
362S250-97	12	33	37 7"	29 10"	26 1"	23 4"	20 4"	17 2"	21 2"	18 6"	15 7"	19 8"	17 2"	14 6"	18 6"	16 2"	13 8"	17 7"	15 4"	12 11"	16 10"	14 8"	12 5"
362S250-97	16	33	34 2"	27 1"	23 8"	21 2"	18 6"	15 7"	19 3"	16 10"	14 2"	17 10"	15 7"	13 2"	16 10"	14 8"	12 5"	16 0"	13 11"	11 9"	15 3"	13 4"	11 3"
362S250-97	24	33	29 10"	23 8"	20 8"	18 6"	16 2"	13 8"	16 10"	14 8"	12 5"	15 7"	13 8"	11 6"	14 8"	12 10"	10 10"	13 11"	12 2"	10 3"	13 4"	11 8"	9 10"
362S250-97	12	50	37 7"	29 10"	26 1"	23 4"	20 4"	17 2"	21 2"	18 6"	15 7"	19 8"	17 2"	14 6"	18 6"	16 2"	13 8"	17 7"	15 4"	12 11"	16 10"	14 8"	12 5"
362S250-97	16	50	34 2"	27 1"	23 8"	21 2"	18 6"	15 7"	19 3"	16 10"	14 2"	17 10"	15 7"	13 2"	16 10"	14 8"	12 5"	16 0"	13 11"	11 9"	15 3"	13 4"	11 3"
362S250-97	24	50	29 10"	23 8"	20 8"	18 6"	16 2"	13 8"	16 10"	14 8"	12 5"	15 7"	13 8"	11 6"	14 8"	12 10"	10 10"	13 11"	12 2"	10 3"	13 4"	11 8"	9 10"
362S300-33	12	33	27 6"	21 10"	19 1"	17 1"	14 11"	12 7"	14 10"	13 6"	11 5"	13 3"	12 7"	10 7"	12 1"	11 10"	10 0"	11 3"	11 3"	9 6"	10 6"	10 6"	9 1"
362S300-33	16	33	25 0"	19 10"	17 4"	14 10"	13 6"	11 5"	12 10"	12 4"	10 4"	11 6"	11 5"	9 8"	10 6"	10 6"	9 1"	9 9"	9 9"	8 7"	9 1"	9 1"	8 3"
362S300-33	24	33	21 0"	17 4"	15 2"	12 1"	11 10"	10 0"	10 6"	10 6"	9 1"	9 5"	9 5"	8 5"	8 7"	8 7"	7 11"	7 11"	7 11"	7 6"	7 5"	7 5"	7 2"
362S300-43	12	33	30 7"	24 3"	21 2"	18 11"	16 7"	13 11"	17 3"	15 0"	12 8"	15 8"	13 11"	11 9"	14 4"	13 2"	11 1"	13 3"	12 6"	10 6"	12 5"	11 11"	10 1"
362S300-43	16	33	27 9"	22 0"	19 3"	17 3"	15 0"	12 8"	15 2"	13 8"	11 6"	13 7"	12 8"	10 8"	12 5"	11 11"	10 1"	11 6"	11 4"	9 7"	10 9"	10 9"	9 2"
362S300-43	24	33	24 3"	19 3"	16 10"	14 4"	13 2"	11 1"	12 5"	11 11"	10 1"	11 1"	11 1"	9 4"	10 2"	10 2"	8 10"	9 5"	9 5"	8 4"	8 9"	8 9"	8 0"
362S300-54	12	33	33 1"	26 3"	22 11"	20 6"	17 11"	15 1"	18 7"	16 3"	13 9"	17 3"	15 1"	12 9"	16 3"	14 3"	12 0"	15 2"	13 6"	11 5"	14 3"	12 11"	10 11"
362S300-54	16	33	30 1"	23 10"	20 10"	18 7"	16 3"	13 9"	16 11"	14 9"	12 6"	15 7"	13 9"	11 7"	14 3"	12 11"	10 11"	13 2"	12 3"	10 4"	12 4"	11 9"	9 11"
362S300-54	24																						

# Limiting Wall Heights - Curtain Wall 1-span



Stud Member	Spacing, in, oc	Fy, ksi	5 psf			15 psf			20 psf			25 psf			30 psf			35 psf			40 psf		
			L/120	L/240	L/360	L/240	L/360	L/600	L/240	L/360	L/600	L/240	L/360	L/600	L/240	L/360	L/600	L/240	L/360	L/600	L/240	L/360	L/600
362S300-97	12	50	39' 4"	31' 2"	27' 3"	24' 4"	21' 3"	17' 11"	22' 2"	19' 4"	16' 4"	20' 7"	17' 11"	15' 2"	19' 4"	16' 11"	14' 3"	18' 4"	16' 1"	13' 6"	17' 7"	15' 4"	12' 11"
362S300-97	16	50	35' 9"	28' 4"	24' 9"	22' 2"	19' 4"	16' 4"	20' 1"	17' 7"	14' 10"	18' 8"	16' 4"	13' 9"	17' 7"	15' 4"	12' 11"	16' 8"	14' 7"	12' 4"	16' 0"	13' 11"	11' 9"
362S300-97	24	50	31' 2"	24' 9"	21' 8"	19' 4"	16' 11"	14' 3"	17' 7"	15' 4"	12' 11"	16' 4"	14' 3"	12' 0"	15' 4"	13' 5"	11' 4"	14' 7"	12' 9"	10' 9"	13' 11"	12' 2"	10' 3"
400S137-33	12	33	25' 1"	19' 11"	17' 5"	15' 4"	13' 7"	11' 6"	13' 3"	12' 4"	10' 5"	11' 10"	11' 6"	9' 8"	10' 10"	10' 9"	9' 1"	10' 0"	10' 0"	8' 8"	9' 5"	9' 5"	8' 3"
400S137-33	16	33	22' 10"	18' 1"	15' 10"	13' 3"	12' 4"	10' 5"	11' 6"	11' 3"	9' 6"	10' 3"	10' 3"	8' 9"	9' 5"	9' 5"	8' 3"	8' 8"	8' 8"	7' 10"	8' 2"	8' 2"	7' 6"
400S137-33	24	33	18' 9"	15' 10"	13' 10"	10' 10"	10' 9"	9' 1"	9' 5"	9' 5"	8' 3"	8' 5"	8' 5"	7' 8"	7' 8"	7' 8"	7' 3"	7' 1"	7' 1"	6' 10"	6' 8"	6' 8"	6' 7"
400S137-43	12	33	27' 4"	21' 8"	18' 11"	16' 11"	14' 9"	12' 6"	15' 5"	13' 5"	11' 4"	14' 0"	12' 6"	10' 6"	12' 9"	11' 9"	9' 11"	11' 10"	11' 2"	9' 5"	11' 1"	10' 8"	9' 0"
400S137-43	16	33	24' 10"	19' 8"	17' 2"	15' 5"	13' 5"	11' 4"	13' 6"	12' 2"	10' 4"	12' 1"	11' 4"	9' 7"	11' 1"	10' 8"	9' 0"	10' 3"	10' 2"	8' 6"	9' 7"	9' 7"	8' 2"
400S137-43	24	33	21' 8"	17' 2"	15' 0"	12' 9"	11' 9"	9' 11"	11' 1"	10' 8"	9' 0"	9' 11"	9' 11"	8' 4"	9' 0"	9' 0"	7' 10"	8' 4"	8' 4"	7' 6"	7' 10"	7' 10"	7' 2"
400S137-54	12	33	29' 3"	23' 2"	20' 3"	18' 1"	15' 10"	13' 4"	16' 6"	14' 5"	12' 2"	15' 3"	13' 4"	11' 3"	14' 4"	12' 7"	10' 7"	13' 3"	11' 11"	10' 1"	12' 5"	11' 5"	9' 8"
400S137-54	16	33	26' 7"	21' 1"	18' 5"	16' 6"	14' 5"	12' 2"	15' 0"	13' 1"	11' 0"	13' 7"	12' 2"	10' 3"	12' 5"	11' 5"	9' 8"	11' 6"	10' 10"	9' 2"	10' 9"	10' 4"	8' 9"
400S137-54	24	33	23' 2"	18' 5"	16' 1"	14' 4"	12' 7"	10' 7"	12' 5"	11' 5"	9' 8"	11' 1"	10' 7"	8' 11"	10' 1"	10' 0"	8' 5"	9' 4"	9' 4"	8' 0"	8' 9"	8' 9"	7' 8"
400S137-54	12	50	29' 3"	23' 2"	20' 3"	18' 1"	15' 10"	13' 4"	16' 6"	14' 5"	12' 2"	15' 3"	13' 4"	11' 3"	14' 5"	12' 7"	10' 7"	13' 8"	11' 11"	10' 1"	13' 1"	11' 5"	9' 8"
400S137-54	16	50	26' 7"	21' 1"	18' 5"	16' 6"	14' 5"	12' 2"	15' 0"	13' 1"	11' 0"	13' 11"	12' 2"	10' 3"	13' 1"	11' 5"	9' 8"	12' 5"	10' 10"	9' 2"	11' 10"	10' 4"	8' 9"
400S137-54	24	50	23' 2"	18' 5"	16' 1"	14' 5"	12' 7"	10' 7"	13' 1"	11' 5"	9' 8"	12' 2"	10' 7"	8' 11"	11' 5"	10' 0"	8' 5"	10' 10"	10' 6"	8' 0"	10' 4"	9' 1"	7' 8"
400S137-68	12	33	31' 3"	24' 10"	21' 8"	19' 5"	16' 11"	14' 3"	17' 7"	15' 5"	13' 0"	16' 4"	14' 3"	12' 0"	15' 5"	13' 5"	11' 4"	14' 7"	12' 9"	10' 9"	13' 10"	12' 2"	10' 4"
400S137-68	16	33	28' 5"	22' 7"	19' 8"	17' 7"	15' 5"	13' 0"	16' 0"	14' 0"	11' 9"	14' 10"	13' 0"	10' 11"	13' 10"	12' 2"	10' 4"	12' 10"	11' 7"	9' 9"	12' 0"	11' 1"	9' 4"
400S137-68	24	33	24' 10"	19' 8"	17' 2"	15' 5"	13' 5"	11' 4"	13' 10"	12' 2"	10' 4"	12' 5"	11' 4"	9' 7"	11' 4"	10' 8"	9' 0"	10' 6"	10' 2"	8' 7"	9' 10"	9' 8"	8' 2"
400S137-68	12	50	31' 3"	24' 10"	21' 8"	19' 5"	16' 11"	14' 3"	17' 7"	15' 5"	13' 0"	16' 4"	14' 3"	12' 0"	15' 5"	13' 5"	11' 4"	14' 7"	12' 9"	10' 9"	14' 0"	12' 2"	10' 4"
400S137-68	16	50	28' 5"	22' 7"	19' 8"	17' 7"	15' 5"	13' 0"	16' 0"	14' 0"	11' 9"	14' 10"	13' 0"	10' 11"	14' 0"	12' 2"	10' 4"	14' 0"	12' 2"	10' 3"	12' 8"	11' 1"	9' 4"
400S137-68	24	50	24' 10"	19' 8"	17' 2"	15' 5"	13' 5"	11' 4"	14' 0"	12' 2"	10' 4"	13' 0"	11' 4"	9' 7"	12' 2"	10' 8"	9' 0"	11' 7"	10' 2"	8' 7"	11' 1"	9' 8"	8' 2"
400S162-33	12	33	26' 3"	20' 10"	18' 3"	16' 3"	14' 3"	12' 0"	14' 3"	12' 11"	10' 11"	12' 9"	12' 0"	10' 1"	11' 7"	11' 4"	9' 6"	10' 9"	10' 9"	9' 1"	10' 1"	10' 1"	8' 8"
400S162-33	16	33	23' 11"	18' 11"	16' 7"	14' 3"	12' 11"	10' 11"	12' 4"	11' 9"	9' 11"	11' 0"	10' 11"	9' 2"	10' 1"	10' 1"	8' 8"	9' 4"	9' 4"	8' 3"	8' 9"	8' 9"	7' 10"
400S162-33	24	33	20' 1"	16' 7"	14' 6"	11' 7"	11' 4"	9' 6"	10' 1"	10' 1"	8' 8"	9' 0"	9' 0"	8' 0"	8' 3"	8' 3"	7' 7"	7' 7"	7' 2"	7' 2"	7' 1"	7' 1"	6' 10"
400S162-43	12	33	28' 7"	22' 8"	19' 10"	17' 9"	15' 6"	13' 1"	16' 1"	14' 1"	11' 10"	14' 11"	13' 1"	11' 0"	13' 9"	12' 3"	10' 4"	12' 8"	11' 8"	9' 10"	11' 11"	11' 2"	9' 5"
400S162-43	16	33	26' 0"	20' 7"	18' 0"	16' 1"	14' 1"	11' 10"	14' 7"	12' 9"	10' 9"	13' 0"	11' 10"	10' 0"	11' 11"	11' 2"	9' 5"	11' 0"	10' 7"	8' 11"	10' 3"	10' 2"	8' 7"
400S162-43	24	33	22' 8"	18' 0"	15' 9"	13' 9"	12' 3"	10' 4"	11' 11"	11' 2"	9' 5"	10' 7"	10' 4"	8' 9"	9' 8"	9' 8"	8' 3"	9' 0"	9' 0"	7' 10"	8' 5"	8' 5"	7' 6"
400S162-54	12	33	30' 8"	24' 4"	21' 3"	19' 0"	16' 7"	14' 0"	17' 3"	15' 1"	12' 9"	16' 0"	14' 0"	11' 10"	15' 1"	13' 2"	11' 1"	14' 3"	12' 6"	10' 7"	13' 4"	12' 0"	10' 1"
400S162-54	16	33	27' 10"	22' 1"	19' 4"	17' 3"	15' 1"	12' 9"	15' 8"	13' 8"	11' 7"	14' 7"	12' 9"	10' 9"	13' 4"	12' 0"	11' 4"	12' 4"	11' 4"	9' 7"	11' 6"	10' 10"	9' 2"
400S162-54	24	33	24' 4"	19' 4"	16' 10"	15' 1"	13' 2"	11' 1"	13' 4"	12' 0"	10' 1"	11' 11"	11' 1"	9' 4"	10' 10"	10' 5"	8' 10"	10' 1"	9' 11"	8' 5"	9' 5"	9' 5"	8' 0"
400S162-54	12	50	30' 8"	24' 4"	21' 3"	19' 0"	16' 7"	14' 0"	17' 3"	15' 1"	12' 9"	16' 0"	14' 0"	11' 10"	15' 1"	13' 2"	11' 1"	14' 4"	12' 6"	10' 7"	13' 8"	12' 0"	10' 1"
400S162-54	16	50	27' 10"	22' 1"	19' 4"	17' 3"	15' 1"	12' 9"	15' 8"	13' 8"	11' 7"	14' 7"	12' 9"	10' 9"	13' 8"	12' 0"	10' 1"	13' 0"	11' 4"	9' 7"	12' 5"	10' 10"	9' 2"
400S162-54	24	50	24' 4"	19' 4"	16' 10"	15' 1"	13' 2"	11' 1"	13' 8"	12' 0"	10' 1"	12' 9"	11' 1"	9' 4"	12' 0"	10' 5"	8' 10"	11' 4"	9' 11"	8' 5"	10' 10"	9' 6"	8' 0"
400S162-68	12	33	32' 10"	26' 0"	22' 9"	20' 4"	17' 9"	15' 0"	18' 6"	16' 2"	13' 7"	17' 2"	15' 0"	12' 8"	16' 2"	14' 1"	11' 11"	15' 4"	13' 5"	11' 4"	14' 8"	12' 10"	10' 10"
400S162-68	16	33	29' 10"	23' 8"	20' 8"	18' 6"	16' 2"	13' 7"	16' 9"	14' 8"	12' 4"	15' 7"	13' 7"	11' 6"	14' 8"	12' 10"	10' 10"	13' 9"	12' 2"	10' 3"	12' 11"	11' 8"	9' 10"
400S162-68	24	33	26' 0"	20' 8"	18' 1"	16' 2"	14' 1"	11' 11"	14' 8"	12' 10"	10' 10"	13' 4"	11' 11"	10' 0"	12' 2"	11' 2"	9' 5"	11' 3"	10' 8"	9' 0"	10' 6"	10' 2"	8' 7"
400S162-68	12	50	32' 10"	26' 0"	22' 9"	20' 4"	17' 9"	15' 0"	18' 6"	16' 2"	13' 7"	17' 2"	15' 0"	12' 8"	16' 2"	14' 1"	11' 11"	15' 4"	13' 5"	11' 4"	14' 8"	12' 10"	10' 10"
400S162-68	16	50	29' 10"	23' 8"	20' 8"	18' 6"	16' 2"	13' 7"	16' 9"	14' 8"	12' 4"	15' 7"	13' 7"	11' 6"	14' 8"	12' 10"	10' 10"	13' 11"	12' 2"	10' 3"	14' 8"	11' 8"	9' 10"
400S162-68	24	50	26' 0"	20' 8"	18' 1"	16' 2"	14' 1"	11' 11"	14' 8"	12' 10"	10' 10"	13' 7"	11' 11"	10' 0"	12' 10"	11' 2"	9' 5"	12' 2"	10' 8"	9' 0"	11' 8"	10' 2"	8' 7"
400S162-97	12	33	36' 3"	28' 9"	25' 1"	22' 5"	19' 7"	16' 7"	20' 5"	17' 10"	15' 0"	18' 11"	16' 7"	13' 11"	17' 10"	15' 7"	13' 2"	16' 11"	14' 9"	12' 6"	16' 2"	14' 2"	11' 11"
400S162-97	16	33	32' 11"	26' 1"	22' 10"	20' 5"	17' 10"	15' 0"	18' 6"	16' 2"	13' 8"	17' 2"	15' 0"	12' 8"	16' 2"	14' 2"	11' 11"	15' 5"	13' 5"	11' 4"	14' 9"	12' 10"	10' 10"
400S162-97	24	33	28' 9"	22' 10"	19' 11"	17' 10"	15' 7"	13' 2"	16' 2"	14' 2"	11' 11"	15' 0"	13' 2"	11' 1"	14' 1"	12' 4"	10' 5"	13' 1"	11' 9"	9' 11"	12' 10"	11' 3"	9' 6"
400S162-97	12	50	36' 3"	28' 9"	25' 1"	22' 5"	19' 7"	16' 7"	20' 5"	17' 10"	15' 0"	18' 11"	16' 7"	13' 11"	17' 10"	15' 7"	13' 2"	16' 11"	14' 9"	12' 6"	16' 2"	14' 2"	11' 11"
400S162-97	16	50	32' 11"	26' 1"	22' 10"	20' 5"	17' 10"	15' 0"	18' 6"	16' 2"	13' 8"	17' 2"	15' 0"	12' 8"	16' 2"	14' 2"	11' 11"	15' 5"	13' 5"	11' 4"	14' 9"	12' 10"	10' 10"
400S162-97	24	50	28' 9"	22' 10"	19' 11"	17' 10"	15' 7"	13' 2"	16' 2"	14' 2"	11' 11"	15' 0"	13' 2"	11' 1"	14' 2"	12' 4"	10' 5"	13' 5"	11' 9"	9' 11"	12' 10"	11' 3"	9' 6"
400S200-33	12	33	27' 8"	21' 11"	19' 2"	17' 1"	15' 0"	12' 7"	14' 11"	13' 7"	11' 6"	13' 4"	12' 7"	10' 8"	12' 2"	11' 10"	10' 0"	11' 3"	11' 3"	9' 6"	10' 7"	10' 7"	9' 1"
400S200-33	16	33	25' 1"	19' 11"	17' 5"	14' 11"	13' 7"	11' 6"	12' 11"	12' 4"	10' 5"	11' 7"	11' 6"	9' 8"	10' 7"	10' 7"	9' 1"	9' 9"	9' 9"	8' 8"	9' 2"	9' 2"	8' 3"
400S200-33	24	33	21' 1"	17' 5"	15' 2"	12' 2"	11' 10"	10' 0"	10' 7"	10' 7"	9' 1"	9' 5"	9' 5"	8' 5"	8' 7"	8' 7"	7' 11"	8' 0"	8' 0"	7' 7"	7' 6"	7' 6"	7' 3"
400S200-43	12	33	30' 2"	23' 11"	20' 11"	18' 8"	16' 4"	13' 9"	17' 0"	14' 10"	12' 6"	15' 9"	13' 9"	11' 7"	14' 8"	13' 0"	11' 11"	13' 7"	12				

# Limiting Wall Heights - Curtain Wall 1-span



Stud Member	Spacing, in, oc	Fy, ksi	5 psf			15 psf			20 psf			25 psf			30 psf			35 psf			40 psf		
			L/120	L/240	L/360	L/240	L/360	L/600	L/240	L/360	L/600	L/240	L/360	L/600	L/240	L/360	L/600	L/240	L/360	L/600	L/240	L/360	L/600
400S200-97	12	50	38 5"	30 6"	26 7"	23 9"	20 9"	17 6"	21 7"	18 11"	15 11"	20 1"	17 6"	14 9"	18 11"	16 6"	13 11"	17 11"	15 8"	13 3"	17 2"	15 0"	12 8"
400S200-97	16	50	34 10"	27 8"	24 2"	21 7"	18 11"	15 11"	19 8"	17 2"	14 6"	18 3"	15 11"	13 5"	17 2"	15 0"	12 8"	16 4"	14 3"	12 0"	15 7"	13 7"	11 6"
400S200-97	24	50	30 6"	24 2"	21 1"	18 11"	16 6"	13 11"	18 11"	16 6"	13 11"	15 0"	13 11"	11 9"	15 0"	13 1"	11 0"	14 3"	12 5"	10 6"	13 7"	11 11"	10 0"
400S250-33	12	33	28 9"	22 10"	19 11"	17 10"	15 7"	13 1"	15 5"	14 2"	11 11"	13 10"	13 1"	11 1"	12 7"	12 4"	10 5"	11 8"	11 8"	9 11"	10 11"	10 11"	9 6"
400S250-33	16	33	26 1"	20 9"	18 1"	15 5"	14 2"	11 11"	13 4"	12 10"	10 10"	11 11"	11 11"	10 1"	10 11"	10 11"	9 6"	10 1"	10 1"	9 0"	9 5"	9 5"	8 7"
400S250-33	24	33	21 10"	18 1"	15 10"	12 7"	12 4"	10 5"	10 11"	10 11"	9 6"	9 9"	9 9"	8 9"	8 11"	8 11"	8 3"	8 3"	8 3"	7 10"	7 9"	7 9"	7 6"
400S250-43	12	33	31 9"	25 3"	22 0"	19 8"	17 2"	14 6"	17 11"	15 8"	13 2"	16 6"	14 6"	12 3"	15 0"	13 8"	11 6"	13 11"	13 0"	10 11"	13 0"	12 5"	10 6"
400S250-43	16	33	28 10"	22 11"	20 0"	17 11"	15 8"	13 2"	15 11"	14 2"	12 0"	14 3"	13 2"	11 1"	13 0"	12 5"	10 6"	12 1"	11 9"	9 11"	11 3"	11 3"	9 6"
400S250-43	24	33	25 3"	20 0"	17 6"	15 0"	13 8"	11 6"	13 0"	12 5"	10 6"	11 8"	11 6"	9 9"	10 8"	10 8"	9 2"	9 10"	9 10"	8 8"	9 2"	9 2"	8 4"
400S250-54	12	33	34 1"	27 1"	23 8"	21 2"	18 6"	15 7"	19 2"	16 9"	14 2"	17 10"	15 7"	13 2"	16 9"	14 8"	12 4"	15 10"	13 11"	11 9"	14 10"	13 4"	11 3"
400S250-54	16	33	31 0"	24 7"	21 6"	19 2"	16 9"	14 2"	17 5"	15 3"	12 10"	16 2"	14 2"	11 11"	14 10"	13 4"	11 3"	13 8"	12 8"	10 8"	12 10"	12 10"	10 1"
400S250-54	24	33	27 1"	21 6"	18 9"	16 9"	14 8"	12 4"	14 10"	13 4"	11 3"	13 3"	12 4"	10 5"	12 1"	11 8"	9 10"	11 2"	11 1"	9 4"	10 6"	10 6"	8 11"
400S250-54	12	50	34 0"	27 0"	23 7"	21 1"	18 5"	15 6"	19 2"	16 9"	14 1"	17 9"	15 6"	13 1"	16 9"	14 7"	12 4"	15 11"	13 10"	11 8"	15 2"	13 3"	11 2"
400S250-54	16	50	30 10"	24 6"	21 5"	19 2"	16 9"	14 1"	17 5"	15 2"	12 10"	16 2"	14 1"	11 11"	15 2"	13 3"	11 2"	14 5"	12 7"	10 8"	13 10"	12 1"	10 2"
400S250-54	24	50	27 0"	21 5"	18 8"	16 9"	14 7"	12 4"	15 2"	13 3"	11 2"	14 1"	12 4"	10 5"	13 3"	11 7"	9 9"	12 7"	11 0"	9 3"	12 10"	10 6"	8 11"
400S250-68	12	33	36 7"	29 0"	25 4"	22 8"	19 10"	16 8"	20 7"	18 0"	15 2"	19 1"	16 8"	14 1"	18 0"	15 9"	13 3"	17 1"	14 11"	12 7"	16 4"	14 3"	12 1"
400S250-68	16	33	33 3"	26 4"	23 0"	20 7"	18 0"	15 2"	18 9"	16 4"	13 9"	17 4"	15 2"	12 10"	16 4"	14 3"	12 1"	15 6"	13 7"	11 5"	14 10"	13 0"	10 11"
400S250-68	24	33	29 0"	23 0"	20 1"	18 0"	15 9"	13 3"	16 4"	14 3"	12 1"	15 2"	13 3"	11 2"	14 3"	12 6"	10 6"	13 3"	11 10"	10 0"	12 5"	11 4"	9 7"
400S250-68	12	50	36 7"	29 0"	25 4"	22 8"	19 10"	16 8"	20 7"	18 0"	15 2"	19 1"	16 8"	14 1"	18 0"	15 9"	13 3"	17 1"	14 11"	12 7"	16 4"	14 3"	12 1"
400S250-68	16	50	33 3"	26 4"	23 0"	20 7"	18 0"	15 2"	18 9"	16 4"	13 9"	17 4"	15 2"	12 10"	16 4"	14 3"	12 1"	15 6"	13 7"	11 5"	14 10"	13 0"	10 11"
400S250-68	24	50	29 0"	23 0"	20 1"	18 0"	15 9"	13 3"	16 4"	14 3"	12 1"	15 2"	13 3"	11 2"	14 3"	12 6"	10 6"	13 3"	11 10"	10 0"	13 0"	11 4"	9 7"
400S250-97	12	33	40 7"	32 2"	28 1"	25 2"	21 11"	18 6"	22 10"	19 11"	16 10"	21 2"	18 6"	15 7"	19 11"	17 5"	14 8"	18 11"	16 7"	14 0"	18 1"	15 10"	13 4"
400S250-97	16	33	36 10"	29 3"	25 7"	22 10"	19 11"	16 10"	20 9"	18 1"	15 3"	19 3"	16 10"	14 2"	18 1"	15 10"	13 4"	17 3"	15 0"	12 8"	16 6"	14 5"	12 2"
400S250-97	24	33	32 2"	25 7"	22 4"	19 11"	17 5"	14 8"	18 1"	15 10"	13 4"	16 10"	14 8"	12 5"	15 10"	13 10"	11 8"	15 0"	13 2"	11 1"	14 5"	12 7"	10 7"
400S250-97	12	50	40 7"	32 2"	28 1"	25 2"	21 11"	18 6"	22 10"	19 11"	16 10"	21 2"	18 6"	15 7"	19 11"	17 5"	14 8"	18 11"	16 7"	14 0"	18 1"	15 10"	13 4"
400S250-97	16	50	36 10"	29 3"	25 7"	22 10"	19 11"	16 10"	20 9"	18 1"	15 3"	19 3"	16 10"	14 2"	18 1"	15 10"	13 4"	17 3"	15 0"	12 8"	16 6"	14 5"	12 2"
400S250-97	24	50	32 2"	25 7"	22 4"	19 11"	17 5"	14 8"	18 1"	15 10"	13 4"	16 10"	14 8"	12 5"	15 10"	13 10"	11 8"	15 0"	13 2"	11 1"	14 5"	12 7"	10 7"
400S300-33	12	33	29 7"	23 6"	20 6"	18 2"	16 0"	13 6"	15 9"	14 7"	12 3"	14 1"	13 6"	11 5"	12 10"	12 9"	10 9"	11 11"	11 11"	10 2"	11 1"	11 1"	9 9"
400S300-33	16	33	26 11"	21 4"	18 8"	15 9"	14 7"	12 3"	13 7"	13 3"	11 2"	12 2"	12 2"	10 4"	11 1"	11 1"	9 9"	10 3"	10 3"	9 3"	9 8"	9 8"	8 10"
400S300-33	24	33	22 3"	18 8"	16 4"	12 10"	12 9"	10 9"	11 1"	11 1"	9 9"	9 11"	9 11"	9 1"	9 1"	9 1"	8 6"	8 5"	8 5"	8 1"	7 10"	7 10"	7 9"
400S300-43	12	33	32 10"	26 1"	22 10"	20 4"	17 10"	15 0"	18 6"	16 2"	13 8"	16 8"	15 0"	12 8"	15 2"	14 2"	11 11"	14 1"	13 5"	11 4"	13 2"	12 10"	10 10"
400S300-43	16	33	29 10"	23 8"	20 8"	18 6"	16 2"	13 8"	16 1"	14 8"	12 5"	14 5"	13 8"	11 6"	13 2"	12 10"	10 10"	12 2"	12 2"	10 3"	11 5"	11 5"	9 10"
400S300-43	24	33	26 1"	20 8"	18 1"	15 2"	14 2"	11 11"	13 2"	12 10"	10 10"	11 9"	11 9"	10 1"	10 9"	10 9"	9 5"	9 11"	9 11"	9 0"	9 4"	9 4"	8 7"
400S300-54	12	33	35 7"	28 3"	24 8"	22 1"	19 3"	16 3"	20 0"	17 6"	14 9"	18 7"	16 3"	13 8"	17 5"	15 3"	12 11"	16 2"	14 6"	12 3"	15 1"	13 11"	11 9"
400S300-54	16	33	32 4"	25 8"	22 5"	20 0"	17 6"	14 9"	18 2"	15 11"	13 5"	16 7"	14 9"	12 5"	15 1"	13 11"	11 9"	14 0"	13 2"	11 2"	13 1"	12 7"	10 8"
400S300-54	24	33	28 3"	22 5"	19 7"	17 5"	15 3"	12 11"	15 1"	13 11"	11 9"	13 6"	12 11"	10 11"	12 4"	12 2"	10 3"	11 5"	11 5"	9 9"	10 8"	10 8"	9 4"
400S300-54	12	50	34 10"	27 8"	24 2"	21 7"	18 10"	15 11"	19 7"	17 2"	14 5"	18 3"	15 11"	13 5"	17 2"	15 0"	12 8"	16 3"	14 3"	12 0"	15 7"	13 7"	11 6"
400S300-54	16	50	31 8"	25 1"	21 11"	19 7"	17 2"	14 5"	17 10"	15 7"	13 2"	16 7"	14 5"	12 2"	15 7"	13 7"	11 6"	14 9"	12 11"	10 11"	14 2"	12 4"	10 5"
400S300-54	24	50	27 8"	21 11"	19 2"	17 2"	15 0"	12 8"	15 7"	13 7"	11 6"	14 5"	12 8"	10 8"	13 7"	11 11"	10 0"	12 11"	11 3"	9 6"	12 3"	10 10"	9 1"
400S300-68	12	33	38 3"	30 5"	26 6"	23 9"	20 9"	17 6"	21 7"	18 10"	15 11"	20 0"	17 6"	14 9"	18 10"	16 5"	13 10"	17 11"	15 7"	13 2"	17 1"	14 11"	12 7"
400S300-68	16	33	34 9"	27 7"	24 1"	21 7"	18 10"	15 11"	19 7"	17 1"	14 5"	18 2"	15 11"	13 5"	17 1"	14 11"	12 7"	16 1"	14 2"	12 0"	15 1"	13 7"	11 5"
400S300-68	24	33	30 5"	24 1"	21 1"	18 10"	16 5"	13 10"	17 1"	14 11"	12 7"	15 7"	13 10"	11 8"	14 3"	13 1"	11 0"	13 2"	12 5"	10 6"	12 4"	11 10"	10 0"
400S300-68	12	50	38 0"	30 2"	26 4"	23 7"	20 7"	17 4"	21 5"	18 8"	15 9"	19 10"	17 4"	14 8"	18 8"	16 4"	13 9"	17 9"	15 6"	13 1"	17 0"	14 10"	12 6"
400S300-68	16	50	34 6"	27 5"	23 11"	21 5"	18 8"	15 9"	19 5"	17 0"	14 4"	18 1"	15 9"	13 4"	17 0"	14 10"	12 6"	16 2"	14 1"	11 11"	15 5"	13 6"	11 4"
400S300-68	24	50	30 2"	23 11"	20 11"	18 8"	16 4"	13 9"	17 0"	14 10"	12 6"	15 9"	13 9"	11 7"	14 10"	13 0"	10 11"	14 1"	12 4"	10 5"	13 6"	11 9"	9 11"
400S300-97	12	33	42 6"	33 9"	29 6"	26 4"	23 0"	19 5"	23 11"	20 11"	17 8"	22 3"	19 5"	16 4"	20 11"	18 3"	15 5"	19 10"	17 4"	14 8"	19 0"	16 7"	14 0"
400S300-97	16	33	38 7"	30 8"	26 9"	23 11"	20 11"	17 8"	21 9"	19 0"	16 0"	20 2"	17 8"	14 10"	19 0"	16 7"	14 0"	18 1"	15 9"	13 4"	17 3"	15 1"	12 9"
400S300-97	24	33	33 9"	26 9"	23 5"	20 11"	18 3"	15 5"	19 0"	16 7"	14 0"	17 8"	15 5"	13 0"	16 7"	14 6"	12 3"	15 9"	13 9"	11 7"	15 1"	13 2"	11 1"
400S300-97	12	50	42 4"	33 7"	29 4"	26 3"	22 11"	19 4"	23 10"	20 10"	17 7"	22 2"	19 4"	16 4"	20 10"	18 2"	15 4"	19 9"	17 3"	14 7"	18 11"	16 6"	13 11"
400S300-97	16	50	38 6"	30 6"	26 8"	23 10"	20 10"	17 7"	21 8"	18 11"	16 0"	20 1"	17 7"	14 10"	18 11"	16 6"	13 11"	18 0"	15 8"	13 3"	17 2"	15 0"	12 8"
400S300-97	24	50	33 7"	26 8"	23 4"	20 10"	18 2"	15 4"	18 11"	16 6"	13 11"	17 7"	15 4"	12 11"	16 6"	14 5"	12 2"	15 8"	13 9"	11 7"	15 0"	13 1"	11 1"
550S162-33	12	33	33 8"	26 9"	23 4"	19 7"	18 3"	15 5"	17 0"	16 7"	14 0"	15 2"	15 2"	13 0"	13 10"	13 10"	12 3"	12 10"	12 10"	11 7"	12 0"	12 0"	11 1"
550S162-33	16	33	29 5"	24 4"	21 3"	17 0"	16 7"	14 0"	14 8"	14 8"	12 8"	13 2"	13 2"	11 9"	12 0"	12 0"							

# Limiting Wall Heights - Curtain Wall 1-span



Stud Member	Spacing, in, oc	Fy, ksi	5 psf			15 psf			20 psf			25 psf			30 psf			35 psf			40 psf		
			L/120	L/240	L/360	L/240	L/360	L/600	L/240	L/360	L/600	L/240	L/360	L/600	L/240	L/360	L/600	L/240	L/360	L/600	L/240	L/360	L/600
550S162-68	12	50	42' 2"	33' 6"	29' 3"	26' 2"	22' 10"	19' 3"	23' 9"	20' 9"	17' 6"	22' 1"	19' 3"	16' 3"	20' 9"	18' 2"	15' 3"	19' 9"	17' 3"	14' 6"	18' 10"	16' 6"	13' 11"
550S162-68	16	50	38' 4"	30' 5"	26' 7"	23' 9"	20' 9"	17' 6"	21' 7"	18' 10"	15' 11"	20' 0"	17' 6"	14' 9"	18' 10"	16' 6"	13' 11"	17' 11"	15' 8"	13' 2"	17' 2"	15' 0"	12' 7"
550S162-68	24	50	33' 6"	26' 7"	23' 3"	20' 9"	18' 2"	15' 3"	18' 10"	16' 6"	13' 11"	17' 6"	15' 3"	12' 11"	16' 6"	14' 5"	12' 2"	15' 8"	13' 8"	11' 6"	15' 0"	13' 1"	11' 0"
550S162-97	12	33	46' 9"	37' 1"	32' 5"	28' 11"	25' 3"	21' 4"	26' 4"	23' 0"	19' 5"	24' 5"	21' 4"	18' 0"	23' 0"	20' 1"	16' 11"	21' 10"	19' 1"	16' 1"	20' 11"	18' 3"	15' 5"
550S162-97	16	33	42' 5"	33' 8"	29' 5"	26' 4"	23' 0"	19' 5"	23' 11"	20' 11"	17' 7"	22' 2"	19' 5"	16' 4"	20' 11"	18' 3"	15' 5"	19' 10"	17' 4"	14' 7"	18' 8"	16' 7"	14' 0"
550S162-97	24	33	37' 1"	29' 5"	25' 8"	23' 0"	20' 1"	16' 11"	20' 11"	18' 3"	15' 5"	19' 4"	16' 11"	14' 3"	17' 7"	15' 11"	13' 5"	16' 4"	15' 2"	12' 9"	15' 3"	14' 6"	12' 3"
550S162-97	12	50	46' 9"	37' 1"	32' 5"	28' 11"	25' 3"	21' 4"	26' 4"	23' 0"	19' 5"	24' 5"	21' 4"	18' 0"	23' 0"	20' 1"	16' 11"	21' 10"	19' 1"	16' 1"	20' 11"	18' 3"	15' 5"
550S162-97	16	50	42' 5"	33' 8"	29' 5"	26' 4"	23' 0"	19' 5"	23' 11"	20' 11"	17' 7"	22' 2"	19' 5"	16' 4"	20' 11"	18' 3"	15' 5"	19' 10"	17' 4"	14' 7"	19' 0"	16' 7"	14' 0"
550S162-97	24	50	37' 1"	29' 5"	25' 8"	23' 0"	20' 1"	16' 11"	20' 11"	18' 3"	15' 5"	19' 5"	16' 11"	14' 3"	18' 3"	15' 11"	13' 5"	17' 4"	15' 2"	12' 9"	16' 7"	14' 6"	12' 3"
550S200-33	12	33	35' 4"	28' 0"	24' 6"	20' 10"	19' 1"	16' 1"	18' 1"	17' 4"	14' 8"	16' 2"	16' 1"	13' 7"	14' 9"	14' 9"	12' 10"	13' 8"	13' 8"	12' 2"	12' 9"	12' 9"	11' 8"
550S200-33	16	33	31' 4"	25' 5"	22' 3"	18' 1"	17' 4"	14' 8"	15' 8"	15' 8"	13' 4"	14' 0"	14' 0"	12' 4"	12' 9"	12' 9"	12' 9"	11' 10"	11' 10"	11' 1"	11' 1"	11' 1"	10' 7"
550S200-33	24	33	25' 7"	22' 3"	19' 5"	14' 9"	14' 9"	12' 10"	12' 9"	12' 9"	11' 8"	11' 5"	11' 5"	10' 10"	10' 5"	10' 5"	10' 2"	9' 8"	9' 8"	9' 8"	9' 0"	9' 0"	9' 0"
550S200-43	12	33	38' 7"	30' 7"	26' 9"	23' 11"	20' 11"	17' 7"	21' 7"	19' 0"	16' 0"	19' 4"	17' 7"	14' 10"	17' 7"	16' 7"	14' 0"	16' 4"	15' 9"	13' 3"	15' 3"	15' 1"	12' 8"
550S200-43	16	33	35' 1"	27' 10"	24' 4"	21' 7"	19' 0"	16' 0"	18' 8"	17' 3"	14' 6"	16' 9"	16' 0"	13' 6"	15' 3"	15' 1"	12' 8"	14' 2"	14' 2"	12' 1"	13' 3"	13' 3"	11' 6"
550S200-43	24	33	30' 6"	24' 4"	21' 3"	17' 7"	16' 7"	14' 0"	15' 3"	15' 1"	12' 8"	13' 8"	13' 8"	11' 10"	12' 5"	12' 5"	11' 1"	11' 6"	11' 6"	10' 6"	10' 9"	10' 9"	10' 1"
550S200-54	12	33	41' 5"	32' 10"	28' 8"	25' 8"	22' 5"	18' 11"	23' 4"	20' 4"	17' 2"	21' 8"	18' 11"	15' 11"	20' 4"	17' 10"	15' 0"	18' 10"	16' 11"	14' 3"	17' 8"	16' 2"	13' 8"
550S200-54	16	33	37' 7"	29' 10"	26' 1"	23' 4"	20' 4"	17' 2"	21' 2"	18' 6"	15' 7"	19' 4"	17' 2"	14' 6"	17' 8"	16' 2"	13' 8"	16' 4"	15' 4"	12' 11"	15' 3"	14' 8"	12' 5"
550S200-54	24	33	32' 10"	26' 1"	22' 9"	20' 4"	17' 10"	15' 0"	17' 8"	16' 2"	13' 8"	15' 9"	15' 0"	12' 8"	14' 5"	14' 1"	11' 11"	13' 4"	13' 4"	11' 4"	12' 6"	12' 6"	10' 10"
550S200-54	12	50	41' 5"	32' 10"	28' 8"	25' 8"	22' 5"	18' 11"	23' 4"	20' 4"	17' 2"	21' 8"	18' 11"	15' 11"	20' 4"	17' 10"	15' 0"	18' 4"	16' 11"	14' 3"	18' 6"	16' 2"	13' 8"
550S200-54	16	50	37' 7"	29' 10"	26' 1"	23' 4"	20' 4"	17' 2"	21' 2"	18' 6"	15' 7"	19' 8"	17' 2"	14' 6"	18' 6"	16' 2"	13' 8"	17' 7"	15' 4"	12' 11"	16' 10"	14' 8"	12' 5"
550S200-54	24	50	32' 10"	26' 1"	22' 9"	20' 4"	17' 10"	15' 0"	18' 6"	16' 2"	13' 8"	17' 2"	15' 0"	12' 8"	16' 2"	14' 1"	11' 11"	15' 4"	13' 5"	11' 4"	14' 5"	12' 10"	10' 10"
550S200-68	12	33	44' 5"	35' 3"	30' 10"	27' 6"	24' 1"	20' 3"	25' 0"	21' 10"	18' 5"	23' 3"	20' 3"	17' 1"	21' 10"	19' 1"	16' 1"	20' 9"	18' 2"	15' 3"	19' 10"	17' 4"	14' 8"
550S200-68	16	33	40' 4"	32' 0"	28' 0"	25' 0"	21' 10"	18' 5"	22' 9"	19' 10"	16' 9"	21' 1"	18' 5"	15' 7"	19' 10"	17' 4"	14' 8"	18' 6"	16' 6"	13' 11"	17' 4"	15' 9"	13' 3"
550S200-68	24	33	35' 3"	28' 0"	24' 5"	21' 10"	19' 1"	16' 1"	19' 10"	17' 4"	14' 8"	17' 11"	16' 1"	13' 7"	16' 4"	15' 2"	12' 9"	15' 1"	14' 5"	12' 2"	14' 2"	13' 9"	11' 7"
550S200-68	12	50	44' 5"	35' 3"	30' 10"	27' 6"	24' 1"	20' 3"	25' 0"	21' 10"	18' 5"	23' 3"	20' 3"	17' 1"	21' 10"	19' 1"	16' 1"	20' 9"	18' 2"	15' 3"	19' 10"	17' 4"	14' 8"
550S200-68	16	50	40' 4"	32' 0"	28' 0"	25' 0"	21' 10"	18' 5"	22' 9"	19' 10"	16' 9"	21' 1"	18' 5"	15' 7"	19' 10"	17' 4"	14' 8"	18' 10"	16' 6"	13' 11"	18' 0"	15' 9"	13' 3"
550S200-68	24	50	35' 3"	28' 0"	24' 5"	21' 10"	19' 1"	16' 1"	19' 10"	17' 4"	14' 8"	18' 5"	16' 1"	13' 7"	17' 4"	15' 2"	12' 9"	16' 6"	14' 5"	12' 2"	15' 9"	13' 9"	11' 7"
550S200-97	12	33	49' 3"	39' 1"	34' 2"	30' 7"	26' 8"	22' 6"	27' 9"	24' 3"	20' 5"	25' 9"	22' 6"	19' 0"	24' 3"	21' 2"	17' 10"	23' 0"	20' 1"	17' 0"	22' 0"	19' 3"	16' 3"
550S200-97	16	33	44' 9"	35' 6"	31' 1"	27' 9"	24' 3"	20' 5"	25' 3"	22' 0"	18' 7"	23' 5"	20' 5"	17' 3"	22' 0"	19' 3"	16' 3"	20' 11"	18' 3"	15' 5"	20' 0"	17' 6"	14' 9"
550S200-97	24	33	39' 1"	31' 1"	27' 1"	24' 3"	21' 2"	17' 10"	22' 0"	19' 3"	16' 3"	20' 5"	17' 10"	15' 1"	19' 1"	16' 10"	14' 2"	17' 8"	16' 0"	13' 6"	16' 6"	15' 3"	12' 11"
550S200-97	12	50	49' 3"	39' 1"	34' 2"	30' 7"	26' 8"	22' 6"	27' 9"	24' 3"	20' 5"	25' 9"	22' 6"	19' 0"	24' 3"	21' 2"	17' 10"	23' 0"	20' 1"	17' 0"	22' 0"	19' 3"	16' 3"
550S200-97	16	50	44' 9"	35' 6"	31' 1"	27' 9"	24' 3"	20' 5"	25' 3"	22' 0"	18' 7"	23' 5"	20' 5"	17' 3"	22' 0"	19' 3"	16' 3"	20' 11"	18' 3"	15' 5"	20' 0"	17' 6"	14' 9"
550S200-97	24	50	39' 1"	31' 1"	27' 1"	24' 3"	21' 2"	17' 10"	22' 0"	19' 3"	16' 3"	20' 5"	17' 10"	15' 1"	19' 3"	16' 10"	14' 2"	18' 1"	16' 0"	13' 6"	17' 6"	15' 3"	12' 11"
600S137-33	12	33	33' 1"	27' 3"	23' 10"	19' 1"	18' 7"	15' 8"	16' 6"	16' 6"	14' 3"	14' 9"	14' 9"	13' 3"	13' 6"	13' 6"	12' 5"	12' 6"	12' 6"	11' 10"	11' 8"	11' 8"	11' 4"
600S137-33	16	33	28' 7"	24' 9"	21' 8"	16' 6"	16' 6"	14' 3"	14' 4"	14' 4"	12' 11"	12' 10"	12' 10"	12' 0"	11' 8"	11' 8"	11' 4"	10' 10"	10' 10"	10' 9"	10' 1"	10' 1"	10' 1"
600S137-33	24	33	23' 4"	21' 8"	18' 11"	13' 6"	13' 6"	12' 5"	11' 8"	11' 8"	11' 4"	10' 5"	10' 5"	10' 5"	9' 6"	9' 6"	9' 6"	8' 10"	8' 10"	8' 10"	8' 3"	8' 3"	8' 3"
600S137-43	12	33	37' 8"	29' 11"	26' 2"	22' 11"	20' 5"	17' 3"	19' 10"	18' 6"	15' 8"	17' 9"	17' 3"	14' 6"	16' 3"	16' 2"	13' 8"	15' 0"	15' 0"	13' 0"	14' 0"	14' 0"	12' 5"
600S137-43	16	33	34' 3"	27' 2"	23' 9"	19' 10"	18' 6"	15' 8"	17' 2"	16' 10"	14' 2"	15' 5"	15' 5"	13' 2"	14' 0"	14' 0"	12' 5"	13' 0"	13' 0"	11' 9"	12' 2"	12' 2"	11' 3"
600S137-43	24	33	28' 1"	23' 9"	20' 9"	16' 3"	16' 2"	13' 8"	14' 0"	14' 0"	12' 5"	12' 7"	12' 7"	11' 6"	11' 6"	11' 6"	10' 10"	10' 7"	10' 7"	10' 4"	9' 11"	9' 11"	9' 10"
600S137-54	12	33	40' 5"	32' 1"	28' 0"	25' 1"	21' 11"	18' 5"	22' 9"	19' 11"	16' 9"	20' 8"	18' 5"	15' 7"	18' 10"	17' 4"	14' 8"	17' 5"	16' 6"	13' 11"	16' 4"	15' 9"	13' 4"
600S137-54	16	33	36' 9"	29' 2"	25' 6"	22' 9"	19' 11"	16' 9"	20' 0"	18' 1"	15' 3"	17' 10"	16' 9"	14' 2"	16' 4"	15' 9"	13' 4"	15' 1"	15' 0"	12' 8"	14' 1"	14' 1"	12' 1"
600S137-54	24	33	32' 1"	25' 6"	22' 3"	18' 10"	17' 4"	14' 8"	16' 4"	15' 9"	13' 4"	14' 7"	14' 7"	12' 4"	13' 4"	13' 4"	11' 8"	12' 4"	12' 4"	11' 1"	11' 6"	11' 6"	10' 7"
600S137-54	12	50	40' 5"	32' 1"	28' 0"	25' 1"	21' 11"	18' 5"	22' 9"	19' 11"	16' 9"	21' 2"	18' 5"	15' 7"	19' 11"	17' 4"	14' 8"	18' 11"	16' 6"	13' 11"	18' 1"	15' 9"	13' 4"
600S137-54	16	50	36' 9"	29' 2"	25' 6"	22' 9"	19' 11"	16' 9"	20' 8"	18' 1"	15' 3"	19' 2"	16' 9"	14' 2"	18' 1"	15' 9"	13' 4"	17' 2"	15' 0"	12' 8"	16' 4"	14' 4"	12' 1"
600S137-54	24	50	32' 1"	25' 6"	22' 3"	19' 11"	17' 4"	14' 8"	18' 1"	15' 9"	13' 4"	16' 9"	14' 8"	12' 4"	15' 4"	13' 9"	11' 8"	14' 3"	13' 1"	11' 1"	13' 4"	12' 6"	10' 7"
600S137-68	12	33	43' 4"	34' 4"	30' 0"	26' 10"	23' 5"	19' 9"	24' 5"	21' 4"	18' 0"	22' 8"	19' 9"	16' 8"	21' 3"	18' 7"	15' 8"	19' 8"	17' 8"	14' 11"	18' 5"	16' 11"	14' 3"
600S137-68	16	33	39' 4"	31' 3"	27' 3"	24' 5"	21' 4"	18' 0"	22' 2"	19' 4"	16' 4"	20' 2"	18' 0"	15' 2"	18' 5"	16' 11"	14' 3"	17' 1"	16' 1"	13' 7"	16' 0"	15' 4"	12' 11"
600S137-68	24	33	34' 4"	27' 3"	23' 10"	21' 3"	18' 7"	15' 8"	18' 5"	16' 11"	14' 3"	16' 6"	15' 8"	13' 3"	15' 1"	14' 9"	12' 5"	13' 11"	13' 11"	11' 10"	13' 0"	13' 0"	11' 4"
600S137-68	12	50	43' 4"	3																			



# Limiting Wall Heights - Curtain Wall 1-span



Stud Member	Spacing, in, oc	Fy, ksi	5 psf			15 psf			20 psf			25 psf			30 psf			35 psf			40 psf		
			L/120	L/240	L/360	L/240	L/360	L/600	L/240	L/360	L/600	L/240	L/360	L/600	L/240	L/360	L/600	L/240	L/360	L/600	L/240	L/360	L/600
600S162-54	12	50	42' 2"	33' 6"	29' 3"	26' 2"	22' 10"	19' 3"	23' 9"	20' 9"	17' 6"	22' 1"	19' 3"	16' 3"	20' 9"	18' 1"	15' 3"	19' 8"	17' 3"	14' 6"	18' 10"	16' 6"	13' 11"
600S162-54	16	50	38' 4"	30' 5"	26' 7"	23' 9"	20' 9"	17' 6"	21' 7"	18' 10"	15' 11"	20' 0"	17' 6"	14' 9"	18' 10"	16' 6"	13' 11"	17' 11"	15' 8"	13' 2"	17' 2"	15' 0"	12' 7"
600S162-54	24	50	33' 6"	26' 7"	23' 3"	20' 9"	18' 1"	15' 3"	18' 10"	16' 6"	13' 11"	17' 6"	15' 3"	12' 11"	16' 5"	14' 5"	12' 2"	15' 2"	13' 8"	11' 6"	14' 3"	13' 1"	11' 0"
600S162-68	12	33	45' 3"	35' 11"	31' 4"	28' 0"	24' 6"	20' 8"	25' 6"	22' 3"	18' 9"	23' 8"	20' 8"	17' 5"	22' 3"	19' 5"	16' 5"	21' 0"	18' 5"	15' 7"	19' 8"	17' 8"	14' 11"
600S162-68	16	33	41' 1"	32' 7"	28' 6"	25' 6"	22' 3"	18' 9"	23' 2"	20' 3"	17' 1"	21' 6"	18' 9"	15' 10"	19' 8"	17' 8"	14' 11"	18' 3"	16' 9"	14' 2"	17' 0"	16' 0"	13' 6"
600S162-68	24	33	35' 11"	28' 6"	24' 11"	22' 3"	19' 5"	16' 5"	19' 8"	17' 8"	14' 11"	17' 7"	16' 5"	13' 10"	16' 1"	15' 5"	13' 0"	14' 10"	14' 8"	12' 4"	13' 11"	13' 11"	11' 10"
600S162-68	12	50	45' 3"	35' 11"	31' 4"	28' 0"	24' 6"	20' 8"	25' 6"	22' 3"	18' 9"	23' 8"	20' 8"	17' 5"	22' 3"	19' 5"	16' 5"	21' 2"	18' 5"	15' 7"	20' 3"	17' 8"	14' 11"
600S162-68	16	50	41' 1"	32' 7"	28' 6"	25' 6"	22' 3"	18' 9"	23' 2"	20' 3"	17' 1"	21' 6"	18' 9"	15' 10"	20' 3"	17' 8"	14' 11"	19' 2"	16' 9"	14' 2"	18' 4"	16' 0"	13' 6"
600S162-68	24	50	35' 11"	28' 6"	24' 11"	22' 3"	19' 5"	16' 5"	20' 3"	17' 8"	14' 11"	18' 9"	16' 5"	13' 10"	17' 8"	15' 5"	13' 0"	16' 9"	14' 8"	12' 4"	16' 0"	14' 0"	11' 10"
600S162-97	12	33	50' 1"	39' 9"	34' 9"	31' 1"	27' 2"	22' 11"	28' 3"	24' 8"	20' 9"	26' 2"	22' 11"	19' 4"	24' 8"	21' 6"	18' 2"	23' 5"	20' 5"	17' 3"	22' 5"	19' 7"	16' 6"
600S162-97	16	33	45' 6"	36' 2"	31' 7"	28' 3"	24' 8"	20' 9"	25' 8"	22' 5"	18' 11"	23' 10"	20' 9"	17' 6"	22' 5"	19' 7"	16' 6"	21' 3"	18' 7"	15' 8"	19' 11"	17' 9"	15' 0"
600S162-97	24	33	39' 9"	31' 7"	27' 7"	24' 8"	21' 6"	18' 2"	22' 5"	19' 7"	16' 6"	20' 6"	18' 2"	15' 4"	18' 9"	17' 1"	14' 5"	17' 4"	16' 3"	13' 8"	16' 3"	15' 6"	13' 1"
600S162-97	12	50	50' 1"	39' 9"	34' 9"	31' 1"	27' 2"	22' 11"	28' 3"	24' 8"	20' 9"	26' 2"	22' 11"	19' 4"	24' 8"	21' 6"	18' 2"	23' 5"	20' 5"	17' 3"	22' 5"	19' 7"	16' 6"
600S162-97	16	50	45' 6"	36' 2"	31' 7"	28' 3"	24' 8"	20' 9"	25' 8"	22' 5"	18' 11"	23' 10"	20' 9"	17' 6"	22' 5"	19' 7"	16' 6"	21' 3"	18' 7"	15' 8"	20' 4"	17' 9"	15' 0"
600S162-97	24	50	39' 9"	31' 7"	27' 7"	24' 8"	21' 6"	18' 2"	22' 5"	19' 7"	16' 6"	20' 9"	18' 2"	15' 4"	19' 7"	17' 1"	14' 5"	18' 7"	16' 3"	13' 8"	17' 9"	15' 6"	13' 1"
600S162-118	12	33	52' 11"	42' 0"	36' 8"	32' 10"	28' 8"	24' 2"	29' 10"	26' 0"	22' 0"	27' 8"	24' 2"	20' 5"	26' 0"	22' 9"	19' 2"	24' 9"	21' 7"	18' 3"	23' 8"	20' 8"	17' 5"
600S162-118	16	33	48' 1"	38' 2"	33' 4"	29' 10"	26' 0"	22' 0"	27' 1"	23' 8"	19' 11"	25' 2"	22' 0"	18' 6"	23' 8"	20' 8"	17' 5"	22' 6"	19' 8"	16' 7"	21' 6"	18' 9"	15' 10"
600S162-118	24	33	42' 0"	33' 4"	29' 2"	26' 0"	22' 9"	19' 2"	23' 8"	20' 8"	17' 5"	22' 0"	19' 2"	16' 2"	20' 4"	18' 1"	15' 3"	18' 10"	17' 2"	14' 6"	17' 7"	16' 5"	13' 10"
600S162-118	12	50	52' 11"	42' 0"	36' 8"	32' 10"	28' 8"	24' 2"	29' 10"	26' 0"	22' 0"	27' 8"	24' 2"	20' 5"	26' 0"	22' 9"	19' 2"	24' 9"	21' 7"	18' 3"	23' 8"	20' 8"	17' 5"
600S162-118	16	50	48' 1"	38' 2"	33' 4"	29' 10"	26' 0"	22' 0"	27' 1"	23' 8"	19' 11"	25' 2"	22' 0"	18' 6"	23' 8"	20' 8"	17' 5"	22' 6"	19' 8"	16' 7"	21' 6"	18' 9"	15' 10"
600S162-118	24	50	42' 0"	33' 4"	29' 2"	26' 0"	22' 9"	19' 2"	23' 8"	20' 8"	17' 5"	22' 0"	19' 2"	16' 2"	20' 8"	18' 1"	15' 3"	19' 8"	17' 2"	14' 6"	18' 9"	16' 5"	13' 10"
600S200-33	12	33	37' 9"	30' 0"	26' 2"	21' 11"	20' 6"	17' 3"	18' 11"	18' 7"	15' 8"	16' 11"	16' 11"	14' 7"	15' 6"	15' 6"	13' 8"	14' 4"	14' 4"	13' 0"	13' 5"	13' 5"	12' 5"
600S200-33	16	33	32' 10"	27' 3"	23' 10"	18' 11"	18' 7"	15' 8"	16' 5"	16' 5"	14' 3"	14' 8"	14' 8"	13' 3"	13' 5"	13' 5"	12' 5"	12' 5"	12' 5"	11' 10"	11' 7"	11' 7"	11' 4"
600S200-33	24	33	26' 10"	23' 10"	20' 10"	15' 6"	15' 6"	13' 8"	13' 5"	13' 5"	12' 5"	12' 0"	12' 0"	11' 7"	10' 11"	10' 11"	10' 10"	10' 2"	10' 2"	10' 2"	9' 6"	9' 6"	9' 6"
600S200-43	12	33	41' 3"	32' 9"	28' 7"	25' 7"	22' 4"	18' 10"	22' 8"	20' 4"	17' 2"	20' 3"	18' 10"	15' 11"	18' 6"	17' 9"	15' 0"	17' 1"	16' 10"	14' 3"	16' 0"	16' 0"	13' 7"
600S200-43	16	33	37' 6"	29' 9"	26' 0"	22' 8"	20' 4"	17' 2"	19' 7"	18' 5"	15' 7"	17' 7"	17' 2"	14' 5"	16' 0"	16' 0"	13' 7"	14' 10"	14' 10"	12' 11"	13' 10"	13' 10"	12' 4"
600S200-43	24	33	32' 0"	26' 0"	22' 9"	18' 6"	17' 9"	15' 0"	16' 0"	16' 0"	13' 7"	14' 4"	14' 4"	12' 7"	13' 1"	13' 1"	11' 11"	12' 1"	12' 1"	11' 3"	11' 4"	11' 4"	10' 9"
600S200-54	12	33	44' 4"	35' 2"	30' 9"	27' 6"	24' 0"	20' 3"	24' 11"	21' 10"	18' 5"	23' 2"	20' 3"	17' 1"	21' 5"	19' 1"	16' 1"	19' 10"	18' 1"	15' 3"	18' 7"	17' 4"	14' 7"
600S200-54	16	33	40' 3"	32' 0"	27' 11"	24' 11"	21' 10"	18' 5"	22' 8"	19' 10"	16' 8"	20' 4"	18' 5"	15' 6"	18' 7"	17' 4"	14' 7"	17' 2"	16' 5"	13' 10"	16' 1"	15' 9"	13' 3"
600S200-54	24	33	35' 2"	27' 11"	24' 5"	21' 5"	19' 1"	16' 1"	18' 7"	17' 4"	14' 7"	16' 7"	16' 1"	13' 7"	15' 2"	15' 1"	12' 9"	14' 0"	14' 0"	12' 1"	13' 1"	13' 1"	11' 7"
600S200-54	12	50	44' 4"	35' 2"	30' 9"	27' 6"	24' 0"	20' 3"	24' 11"	21' 10"	18' 5"	23' 2"	20' 3"	17' 1"	21' 10"	19' 1"	16' 1"	20' 9"	18' 1"	15' 3"	19' 10"	17' 4"	14' 7"
600S200-54	16	50	40' 3"	32' 0"	27' 11"	24' 11"	21' 10"	18' 5"	22' 8"	19' 10"	16' 8"	21' 1"	18' 5"	15' 6"	19' 10"	17' 4"	14' 7"	18' 10"	16' 5"	13' 10"	18' 0"	15' 9"	13' 3"
600S200-54	24	50	35' 2"	27' 11"	24' 5"	21' 10"	19' 1"	16' 1"	19' 10"	17' 4"	14' 7"	18' 5"	16' 1"	13' 7"	17' 4"	15' 1"	12' 9"	16' 2"	14' 5"	12' 1"	15' 1"	13' 9"	11' 7"
600S200-68	12	33	47' 7"	37' 9"	33' 0"	29' 6"	25' 9"	21' 9"	26' 9"	23' 5"	19' 9"	24' 10"	21' 9"	18' 4"	23' 5"	20' 5"	17' 3"	22' 3"	19' 5"	16' 4"	21' 3"	18' 7"	15' 8"
600S200-68	16	33	43' 2"	34' 4"	29' 11"	26' 9"	23' 5"	19' 9"	24' 4"	21' 3"	17' 11"	22' 7"	19' 9"	16' 8"	21' 3"	18' 7"	15' 8"	19' 8"	17' 8"	14' 11"	18' 5"	16' 10"	14' 3"
600S200-68	24	33	37' 9"	29' 11"	26' 2"	23' 5"	20' 5"	17' 3"	21' 3"	18' 7"	15' 8"	19' 0"	17' 3"	14' 6"	17' 4"	16' 3"	13' 8"	16' 0"	15' 5"	13' 0"	15' 0"	14' 9"	12' 5"
600S200-68	12	50	47' 7"	37' 9"	33' 0"	29' 6"	25' 9"	21' 9"	26' 9"	23' 5"	19' 9"	24' 10"	21' 9"	18' 4"	23' 5"	20' 5"	17' 3"	22' 3"	19' 5"	16' 4"	21' 3"	18' 7"	15' 8"
600S200-68	16	50	43' 2"	34' 4"	29' 11"	26' 9"	23' 5"	19' 9"	24' 4"	21' 3"	17' 11"	22' 7"	19' 9"	16' 8"	21' 3"	18' 7"	15' 8"	20' 9"	17' 8"	14' 11"	19' 4"	16' 10"	14' 3"
600S200-68	24	50	37' 9"	29' 11"	26' 2"	23' 5"	20' 5"	17' 3"	21' 3"	18' 7"	15' 8"	19' 9"	17' 3"	14' 6"	18' 7"	16' 3"	13' 8"	17' 8"	15' 5"	13' 0"	16' 10"	14' 9"	12' 5"
600S200-97	12	33	52' 10"	41' 11"	36' 7"	32' 9"	28' 7"	24' 1"	29' 9"	26' 0"	21' 11"	27' 7"	24' 1"	20' 4"	26' 0"	22' 8"	19' 2"	24' 8"	21' 7"	18' 2"	23' 7"	20' 7"	17' 5"
600S200-97	16	33	48' 0"	38' 1"	33' 3"	29' 9"	26' 0"	21' 11"	27' 0"	23' 7"	19' 11"	25' 1"	21' 11"	18' 6"	23' 7"	20' 7"	17' 5"	22' 5"	19' 7"	16' 6"	21' 5"	18' 9"	15' 10"
600S200-97	24	33	41' 11"	33' 3"	29' 1"	26' 0"	22' 8"	19' 2"	23' 7"	20' 7"	17' 5"	21' 11"	19' 2"	16' 2"	20' 3"	18' 0"	15' 2"	18' 9"	17' 1"	14' 5"	17' 7"	16' 4"	13' 10"
600S200-97	12	50	52' 10"	41' 11"	36' 7"	32' 9"	28' 7"	24' 1"	29' 9"	26' 0"	21' 11"	27' 7"	24' 1"	20' 4"	26' 0"	22' 8"	19' 2"	24' 8"	21' 7"	18' 2"	23' 7"	20' 7"	17' 5"
600S200-97	16	50	48' 0"	38' 1"	33' 3"	29' 9"	26' 0"	21' 11"	27' 0"	23' 7"	19' 11"	25' 1"	21' 11"	18' 6"	23' 7"	20' 7"	17' 5"	22' 5"	19' 7"	16' 6"	21' 5"	18' 9"	15' 10"
600S200-97	24	50	41' 11"	33' 3"	29' 1"	26' 0"	22' 8"	19' 2"	23' 7"	20' 7"	17' 5"	21' 11"	19' 2"	16' 2"	20' 7"	18' 0"	15' 2"	19' 7"	17' 1"	14' 5"	18' 9"	16' 4"	13' 10"
600S200-118	12	33	55' 10"	44' 4"	38' 9"	34' 7"	30' 3"	25' 6"	31' 5"	27' 6"	23' 2"	29' 2"	25' 6"	21' 6"	27' 6"	24' 0"	20' 3"	26' 1"	22' 10"	19' 3"	25' 0"	21' 10"	18' 5"
600S200-118	16	33	50' 9"	40' 3"	35' 2"	31' 5"	27' 6"	23' 2"	28' 7"	25' 0"	21' 1"	26' 6"	23' 2"	19' 7"	25' 0"	21' 10"	18' 5"	23' 9"	20' 9"	17' 6"	22' 8"	19' 10"	16' 9"
600S200-118	24	33	44' 4"	35' 2"	30' 9"	27' 6"	24' 0"	20' 3"	25' 0"	21' 10"	18' 5"	23' 2"	20' 3"	17' 1"	21' 10"	19' 1"	16' 1"	20' 5"	18' 1"	15' 3"	19' 1"	17' 4"	14' 7"
600S200-118	12	5																					



# Limiting Wall Heights - Curtain Wall 1-span



Stud Member	Spacing, in, oc	Fy, ksi	5 psf			15 psf			20 psf			25 psf			30 psf			35 psf			40 psf			
			L/120	L/240	L/360	L/240	L/360	L/600	L/240	L/360	L/600	L/240	L/360	L/600	L/240	L/360	L/600	L/240	L/360	L/600	L/240	L/360	L/600	
600S250-97	12	33	55' 5"	44' 0"	38' 5"	34' 4"	30' 0"	25' 4"	31' 3"	27' 3"	23' 0"	29' 0"	25' 4"	21' 4"	27' 3"	23' 10"	20' 1"	25' 11"	22' 8"	19' 1"	24' 9"	21' 8"	18' 3"	
600S250-97	16	33	50' 4"	40' 0"	34' 11"	31' 3"	27' 3"	23' 0"	28' 4"	24' 9"	20' 11"	26' 4"	23' 0"	19' 5"	24' 9"	21' 8"	18' 3"	23' 6"	20' 7"	17' 4"	22' 6"	19' 8"	16' 7"	
600S250-97	24	33	44' 0"	34' 11"	30' 6"	27' 3"	23' 10"	20' 1"	24' 9"	21' 8"	18' 3"	23' 0"	20' 1"	16' 11"	21' 8"	18' 11"	15' 11"	20' 2"	18' 0"	15' 2"	18' 11"	17' 2"	14' 6"	
600S250-97	12	50	55' 5"	44' 0"	38' 5"	34' 4"	30' 0"	25' 4"	31' 3"	27' 3"	23' 0"	29' 0"	25' 4"	21' 4"	27' 3"	23' 10"	20' 1"	25' 11"	22' 8"	19' 1"	24' 9"	21' 8"	18' 3"	
600S250-97	16	50	50' 4"	40' 0"	34' 11"	31' 3"	27' 3"	23' 0"	28' 4"	24' 9"	20' 11"	26' 4"	23' 0"	19' 5"	24' 9"	21' 8"	18' 3"	23' 6"	20' 7"	17' 4"	22' 6"	19' 8"	16' 7"	
600S250-97	24	50	44' 0"	34' 11"	30' 6"	27' 3"	23' 10"	20' 1"	24' 9"	21' 8"	18' 3"	23' 0"	20' 1"	16' 11"	21' 8"	18' 11"	15' 11"	20' 7"	18' 0"	15' 2"	19' 8"	17' 2"	14' 6"	
600S250-118	12	33	58' 8"	46' 7"	40' 8"	36' 5"	31' 9"	26' 10"	33' 1"	28' 11"	24' 4"	30' 8"	26' 10"	22' 7"	28' 11"	25' 3"	21' 3"	27' 5"	24' 0"	20' 3"	26' 3"	22' 11"	19' 4"	
600S250-118	16	33	53' 4"	42' 4"	37' 0"	33' 1"	28' 11"	24' 4"	30' 0"	26' 3"	22' 2"	27' 11"	24' 4"	20' 7"	26' 3"	22' 11"	19' 4"	24' 11"	21' 9"	18' 4"	23' 10"	20' 10"	17' 7"	
600S250-118	24	33	46' 7"	37' 0"	32' 4"	28' 11"	25' 3"	21' 3"	26' 3"	22' 11"	19' 4"	24' 4"	21' 3"	17' 11"	22' 11"	20' 0"	16' 11"	21' 9"	19' 0"	16' 1"	20' 7"	18' 2"	15' 4"	
600S250-118	12	50	58' 8"	46' 7"	40' 8"	36' 5"	31' 9"	26' 10"	33' 1"	28' 11"	24' 4"	30' 8"	26' 10"	22' 7"	28' 11"	25' 3"	21' 3"	27' 5"	24' 0"	20' 3"	26' 3"	22' 11"	19' 4"	
600S250-118	16	50	53' 4"	42' 4"	37' 0"	33' 1"	28' 11"	24' 4"	30' 0"	26' 3"	22' 2"	27' 11"	24' 4"	20' 7"	26' 3"	22' 11"	19' 4"	24' 11"	21' 9"	18' 4"	23' 10"	20' 10"	17' 7"	
600S250-118	24	50	46' 7"	37' 0"	32' 4"	28' 11"	25' 3"	21' 3"	26' 3"	22' 11"	19' 4"	24' 4"	21' 3"	17' 11"	22' 11"	20' 0"	16' 11"	21' 9"	19' 0"	16' 1"	20' 10"	18' 2"	15' 4"	
600S300-54	12	33	48' 2"	38' 3"	33' 5"	29' 10"	26' 1"	22' 0"	27' 2"	23' 8"	20' 0"	24' 8"	22' 0"	18' 7"	22' 6"	20' 9"	17' 6"	20' 10"	19' 8"	16' 7"	19' 6"	18' 10"	15' 10"	
600S300-54	16	33	43' 9"	34' 9"	30' 4"	27' 2"	23' 8"	20' 0"	23' 11"	21' 6"	18' 2"	21' 4"	20' 0"	16' 10"	19' 6"	18' 10"	15' 10"	18' 1" e	17' 10" e	15' 1" e	16' 11" e	16' 11" e	14' 5" e	
600S300-54	24	33	38' 3"	30' 4"	26' 6"	22' 6"	20' 9"	17' 6"	19' 6"	18' 10"	15' 10"	17' 5" e	17' 5" e	14' 9" e	15' 11" e	15' 11" e	13' 10" e	14' 9" e	14' 9" e	13' 2" e	13' 9" e	13' 9" e	12' 7" e	
600S300-54	12	50	47' 3"	37' 5"	32' 9"	29' 3"	25' 7"	21' 7"	26' 7"	23' 3"	19' 7"	24' 8"	21' 7"	18' 2"	23' 3"	20' 3"	17' 1"	23' 3"	20' 3"	17' 1"	22' 1"	21' 1"	18' 5"	15' 7"
600S300-54	16	50	42' 11"	34' 1"	29' 9"	26' 7"	23' 3"	19' 7"	24' 2"	21' 1"	17' 10"	22' 5"	19' 7"	16' 6"	21' 1"	18' 5"	15' 7"	20' 1"	17' 6"	14' 9"	19' 2"	16' 9"	14' 2"	
600S300-54	24	50	37' 6"	29' 9"	26' 0"	23' 3"	20' 3"	17' 1"	21' 1"	18' 5"	15' 7"	19' 7"	17' 1"	14' 5"	18' 2"	16' 1"	13' 7"	16' 10"	15' 4"	12' 11"	15' 9" e	14' 8"	12' 4"	
600S300-68	12	33	51' 11"	41' 3"	36' 0"	32' 2"	28' 1"	23' 9"	29' 3"	25' 7"	21' 7"	27' 2"	23' 9"	20' 2"	25' 7"	22' 4"	18' 10"	24' 3"	21' 2"	17' 11"	22' 8"	20' 3"	17' 1"	
600S300-68	16	33	47' 2"	37' 5"	32' 9"	29' 3"	25' 7"	21' 7"	26' 7"	23' 3"	19' 7"	24' 8"	21' 7"	18' 2"	22' 8"	20' 3"	17' 1"	21' 0"	19' 3"	16' 3"	19' 8"	18' 5"	15' 6"	
600S300-68	24	33	41' 3"	32' 9"	28' 7"	25' 7"	22' 4"	18' 10"	22' 8"	20' 3"	17' 1"	20' 4"	18' 10"	15' 11"	18' 6"	17' 9"	14' 11"	17' 2"	16' 10"	14' 2"	16' 1" e	16' 1" e	13' 7"	
600S300-68	12	50	51' 7"	40' 11"	35' 9"	31' 11"	27' 11"	23' 6"	29' 0"	25' 4"	21' 5"	26' 11"	23' 6"	19' 10"	25' 4"	22' 2"	18' 8"	24' 1"	21' 0"	17' 9"	23' 0"	20' 2"	17' 0"	
600S300-68	16	50	46' 10"	37' 2"	32' 6"	29' 0"	25' 4"	21' 5"	26' 4"	23' 0"	19' 5"	24' 6"	21' 5"	18' 0"	23' 0"	20' 2"	17' 0"	21' 11"	19' 1"	16' 1"	20' 11"	18' 3"	15' 5"	
600S300-68	24	50	40' 11"	32' 6"	28' 4"	25' 4"	22' 2"	18' 8"	23' 0"	20' 2"	17' 0"	21' 5"	18' 8"	15' 9"	20' 2"	17' 7"	14' 10"	19' 1"	16' 8"	14' 1"	18' 3"	16' 0"	13' 6"	
600S300-97	12	33	57' 10"	45' 11"	40' 1"	35' 10"	31' 4"	26' 5"	32' 7"	28' 5"	24' 0"	30' 3"	26' 5"	22' 3"	28' 5"	24' 10"	21' 0"	27' 0"	23' 7"	19' 11"	25' 10"	22' 7"	19' 1"	
600S300-97	16	33	52' 7"	41' 9"	36' 5"	32' 7"	28' 5"	24' 0"	29' 7"	25' 10"	21' 10"	27' 6"	24' 0"	20' 3"	25' 10"	22' 7"	19' 1"	24' 7"	21' 5"	18' 1"	23' 6"	20' 6"	17' 4"	
600S300-97	24	33	45' 11"	36' 5"	31' 10"	28' 5"	24' 10"	21' 0"	25' 10"	22' 7"	19' 1"	24' 0"	21' 0"	17' 8"	22' 7"	19' 9"	16' 8"	21' 5"	18' 9"	15' 10"	20' 1"	17' 11"	15' 1"	
600S300-97	12	50	57' 7"	45' 8"	39' 11"	35' 8"	31' 2"	26' 4"	32' 5"	28' 4"	23' 11"	30' 1"	26' 4"	22' 2"	28' 4"	24' 9"	20' 10"	26' 11"	23' 6"	19' 10"	25' 9"	22' 6"	19' 0"	
600S300-97	16	50	52' 4"	41' 6"	36' 3"	32' 5"	28' 4"	23' 11"	29' 6"	25' 9"	21' 8"	27' 4"	23' 11"	20' 2"	25' 9"	22' 6"	19' 0"	24' 5"	21' 4"	18' 0"	23' 5"	20' 5"	17' 3"	
600S300-97	24	50	45' 8"	36' 3"	31' 8"	28' 4"	24' 9"	20' 10"	25' 9"	22' 6"	19' 0"	23' 11"	20' 10"	17' 7"	22' 6"	19' 8"	16' 7"	21' 4"	18' 8"	15' 9"	20' 5"	17' 10"	15' 1"	
600S300-118	12	33	61' 4"	48' 8"	42' 6"	38' 0"	33' 2"	28' 0"	34' 6"	30' 2"	25' 5"	32' 1"	28' 0"	23' 7"	30' 2"	26' 4"	22' 3"	28' 8"	25' 0"	21' 1"	27' 5"	23' 11"	20' 2"	
600S300-118	16	33	55' 8"	44' 3"	38' 7"	34' 6"	30' 2"	25' 5"	31' 4"	27' 5"	23' 1"	29' 1"	25' 5"	21' 5"	27' 5"	23' 11"	20' 2"	26' 0"	22' 9"	19' 2"	24' 11"	21' 9"	18' 4"	
600S300-118	24	33	48' 8"	38' 7"	33' 9"	30' 2"	26' 4"	22' 3"	27' 5"	23' 11"	20' 2"	25' 5"	22' 3"	18' 9"	23' 11"	20' 11"	17' 8"	22' 9"	19' 10"	16' 9"	21' 9"	19' 0"	16' 0"	
600S300-118	12	50	61' 4"	48' 8"	42' 6"	38' 0"	33' 2"	28' 0"	34' 6"	30' 2"	25' 5"	32' 1"	28' 0"	23' 7"	30' 2"	26' 4"	22' 3"	28' 8"	25' 0"	21' 1"	27' 5"	23' 11"	20' 2"	
600S300-118	16	50	55' 8"	44' 3"	38' 7"	34' 6"	30' 2"	25' 5"	31' 4"	27' 5"	23' 1"	29' 1"	25' 5"	21' 5"	27' 5"	23' 11"	20' 2"	26' 0"	22' 9"	19' 2"	24' 11"	21' 9"	18' 4"	
600S300-118	24	50	48' 8"	38' 7"	33' 9"	30' 2"	26' 4"	22' 3"	27' 5"	23' 11"	20' 2"	25' 5"	22' 3"	18' 9"	23' 11"	20' 11"	17' 8"	22' 9"	19' 10"	16' 9"	21' 9"	19' 0"	16' 0"	
600S350-54	12	33	50' 6"	40' 1"	35' 0"	31' 4"	27' 4"	23' 1"	28' 5"	24' 10"	20' 11"	26' 5"	23' 1"	19' 5"	24' 10"	21' 8"	18' 4"	23' 1" e	20' 7" e	17' 5" e	21' 7" e	19' 0" e	16' 8" e	
600S350-54	16	33	45' 11"	36' 5"	31' 10"	28' 5"	24' 10"	20' 11"	25' 10"	22' 7"	19' 0"	23' 8"	20' 11"	17' 8"	21' 7" e	19' 9"	16' 8"	20' 0" e	18' 9" e	15' 10" e	18' 8" e	17' 11" e	15' 1" e	
600S350-54	24	33	40' 1"	31' 10"	27' 10"	24' 10"	21' 8"	18' 4"	21' 7" e	19' 9"	16' 8"	19' 4" e	18' 4" e	15' 5" e	17' 8" e	17' 3" e	14' 6" e	16' 4" e	16' 4" e	13' 10" e	15' 3" e	15' 3" e	13' 2" e	
600S350-54	12	50	49' 10"	39' 7"	34' 7"	30' 11"	27' 0"	22' 9"	28' 1"	24' 6"	20' 8"	26' 1"	22' 9"	19' 2"	24' 6"	21' 5"	18' 1"	23' 3"	20' 4"	17' 2"	22' 3"	19' 6"	16' 5"	
600S350-54	16	50	45' 3"	35' 11"	31' 5"	28' 1"	24' 6"	20' 8"	25' 6"	22' 3"	18' 9"	23' 8"	20' 8"	17' 5"	22' 3"	19' 6"	16' 5"	21' 2"	18' 6"	15' 7"	20' 3"	17' 8"	14' 11"	
600S350-54	24	50	39' 7"	31' 5"	27' 5"	24' 6"	21' 5"	18' 1"	22' 3"	19' 6"	16' 5"	20' 8"	18' 1"	15' 3"	19' 6"	17' 0"	14' 4"	18' 6" e	16' 2" e	13' 7" e	17' 5" e	15' 5" e	13' 0" e	
600S350-68	12	33	54' 8"	43' 5"	37' 11"	33' 11"	29' 7"	25' 0"	30' 10"	26' 11"	22' 8"	28' 7"	25' 0"	21' 1"	26' 11"	23' 6"	19' 10"	25' 7"	22' 4"	18' 10"	24' 5"	21' 4"	18' 0"	
600S350-68	16	33	49' 8"	39' 5"	34' 5"	30' 10"	26' 11"	22' 8"	28' 0"	24' 5"	20' 7"	26' 0"	22' 8"	19' 2"	24' 5"	21' 4"	18' 0"	23' 2"	20' 3"	17' 1"	21' 8"	19' 5"	16' 4"	
600S350-68	24	33	43' 5"	34' 5"	30' 1"	26' 11"	23' 6"	19' 10"	24' 5"	21' 4"	18' 0"	22' 5"	19' 10"	16' 9"	20' 5" e	18' 8"	15' 9"	18' 11" e	17' 9" e	14' 11" e	17' 9" e	16' 11" e	14' 4" e	
600S350-68	12	50	54' 6"	43' 3"	37' 9"	33' 9"	29' 6"	24' 11"	30' 8"	26' 10"	22' 7"	28' 6"	24' 11"	21' 0"	26' 10"	23' 5"	19' 9"	25' 6"	22' 3"	18' 9"	24' 4"	21' 3"	17' 11"	
600S350-68	16	50	49' 6"	39' 3"	34' 4"	30' 8"	26' 10"	22' 7"	27' 10"	24' 4"	20' 6"	25' 11"	22' 7"	19' 1"	24' 4"	21' 3"	17' 11"	23' 2"	20' 2"	17' 1"	22' 1"	19' 4"	16' 4"	
600S350-68	24	50	43' 3"	34' 4"	30' 0"	26' 10"	23' 5"	19' 9"	24' 4"	21														

# Limiting Wall Heights - Curtain Wall 1-span



Stud Member	Spacing, in, oc	Fy, ksi	5 psf			15 psf			20 psf			25 psf			30 psf			35 psf			40 psf		
			L/120	L/240	L/360	L/240	L/360	L/600	L/240	L/360	L/600	L/240	L/360	L/600	L/240	L/360	L/600	L/240	L/360	L/600	L/240	L/360	L/600
800S137-54	12	33	51' 1"	40' 6"	35' 5"	31' 1"	27' 8"	23' 4"	26' 11"	25' 1"	21' 2"	24' 1"	23' 4"	19' 8"	22' 0"	21' 11"	18' 6"	20' 4"	20' 4"	17' 7"	19' 0"	19' 0"	16' 10"
800S137-54	16	33	46' 5"	36' 10"	32' 2"	26' 11"	25' 1"	21' 2"	23' 4"	22' 10"	19' 3"	20' 10"	20' 10"	17' 10"	19' 0"	19' 0"	16' 10"	17' 8"	17' 8"	16' 0"	16' 6"	16' 6"	15' 3"
800S137-54	24	33	38' 1"	32' 2"	28' 1"	22' 0"	21' 11"	18' 6"	19' 0"	19' 0"	16' 10"	17' 0"	17' 0"	15' 7"	15' 7"	14' 8"	14' 5"	14' 5"	13' 11"	13' 6"	13' 6"	13' 4"	
800S137-54	12	50	50' 9"	40' 3"	35' 2"	31' 5"	27' 6"	23' 2"	28' 7"	24' 11"	21' 1"	26' 6"	23' 2"	19' 6"	24' 11"	21' 10"	18' 5"	23' 4"	20' 8"	17' 6"	21' 9"	19' 10"	16' 8"
800S137-54	16	50	46' 1"	36' 7"	31' 11"	28' 7"	24' 11"	21' 1"	25' 11"	22' 8"	19' 1"	23' 10"	21' 1"	17' 9"	21' 9"	19' 10"	16' 8"	20' 2"	18' 10"	15' 10"	18' 10"	18' 0"	15' 2"
800S137-54	24	50	40' 3"	31' 11"	27' 11"	24' 11"	21' 10"	18' 5"	21' 9"	19' 10"	16' 8"	19' 6"	18' 5"	15' 6"	17' 9"	17' 4"	14' 7"	16' 6"	16' 5"	13' 10"	15' 5"	15' 5"	13' 3"
800S137-68	12	33	54' 11"	43' 7"	38' 1"	34' 0"	29' 9"	25' 1"	30' 11"	27' 0"	22' 9"	28' 2"	25' 1"	21' 2"	25' 9"	23' 7"	19' 11"	23' 10"	22' 3"	18' 11"	22' 3"	21' 5"	18' 1"
800S137-68	16	33	49' 10"	39' 7"	34' 7"	30' 11"	27' 0"	22' 9"	27' 3"	24' 6"	20' 8"	24' 5"	22' 9"	19' 2"	22' 3"	21' 5"	18' 1"	20' 7"	20' 4"	17' 2"	19' 3"	19' 3"	16' 5"
800S137-68	24	33	43' 7"	34' 7"	30' 2"	25' 9"	23' 7"	19' 11"	22' 3"	21' 5"	18' 1"	19' 11"	19' 11"	16' 9"	18' 2"	18' 2"	15' 9"	16' 10"	16' 10"	15' 0"	15' 9"	15' 9"	14' 4"
800S137-68	12	50	54' 10"	43' 6"	38' 0"	34' 0"	29' 8"	25' 0"	30' 11"	27' 0"	22' 9"	28' 8"	25' 0"	21' 1"	27' 0"	23' 7"	19' 10"	25' 7"	22' 5"	18' 11"	24' 6"	21' 5"	18' 1"
800S137-68	16	50	49' 10"	39' 6"	34' 6"	30' 11"	27' 0"	22' 9"	30' 11"	27' 0"	22' 9"	26' 0"	22' 9"	19' 2"	24' 6"	21' 5"	18' 1"	23' 3"	20' 4"	17' 2"	22' 3"	20' 8"	16' 5"
800S137-68	24	50	43' 6"	34' 6"	30' 2"	27' 0"	23' 7"	19' 10"	24' 6"	21' 5"	18' 1"	22' 9"	19' 10"	16' 9"	21' 0"	18' 8"	15' 9"	19' 5"	17' 9"	15' 0"	18' 2"	17' 0"	14' 4"
800S137-97	12	33	60' 10"	48' 4"	42' 2"	37' 9"	32' 11"	27' 10"	34' 3"	29' 11"	25' 3"	31' 10"	27' 10"	23' 5"	29' 11"	26' 2"	22' 1"	28' 5"	24' 10"	20' 11"	26' 7"	23' 9"	20' 1"
800S137-97	16	33	55' 4"	43' 11"	38' 4"	34' 3"	29' 11"	25' 3"	31' 2"	27' 2"	22' 11"	28' 11"	25' 3"	21' 4"	26' 7"	23' 9"	20' 1"	24' 8"	22' 7"	19' 0"	23' 1"	21' 7"	18' 3"
800S137-97	24	33	48' 4"	38' 4"	33' 6"	29' 11"	26' 2"	22' 1"	26' 7"	23' 9"	20' 1"	23' 10"	22' 1"	18' 7"	21' 9"	20' 9"	17' 6"	21' 0"	19' 9"	16' 8"	18' 1"	18' 10"	15' 11"
800S137-97	12	50	60' 10"	48' 4"	42' 2"	37' 9"	32' 11"	27' 10"	34' 3"	29' 11"	25' 3"	31' 10"	27' 10"	23' 5"	29' 11"	26' 2"	22' 1"	28' 5"	24' 10"	20' 11"	27' 2"	23' 9"	20' 1"
800S137-97	16	50	55' 4"	43' 11"	38' 4"	34' 3"	29' 11"	25' 3"	31' 2"	27' 2"	22' 11"	28' 11"	25' 3"	21' 4"	27' 2"	23' 9"	20' 1"	25' 10"	22' 7"	19' 0"	24' 9"	21' 7"	18' 3"
800S137-97	24	50	48' 4"	38' 4"	33' 6"	29' 11"	26' 2"	22' 1"	27' 2"	23' 9"	20' 1"	25' 3"	22' 1"	18' 7"	23' 9"	20' 9"	17' 6"	22' 7"	19' 9"	16' 8"	21' 7"	18' 10"	15' 11"
800S162-33	12	33	41' 0"	35' 5"	30' 11"	23' 8"	23' 8"	20' 4"	20' 6"	20' 6"	18' 6"	18' 4"	18' 4"	17' 2"	16' 9"	16' 9"	16' 2"	15' 6"	15' 6"	15' 4"	14' 6"	14' 6"	14' 6"
800S162-33	16	33	35' 6"	32' 2"	28' 1"	20' 6"	20' 6"	18' 6"	17' 9"	17' 9"	16' 10"	15' 11"	15' 11"	15' 7"	14' 6"	14' 6"	14' 6"	13' 5"	13' 5"	13' 5"	12' 7"	12' 7"	12' 7"
800S162-33	24	33	29' 0"	28' 1"	24' 7"	16' 9"	16' 9"	16' 2"	14' 6"	14' 6"	14' 6"	13' 0"	13' 0"	13' 0"	11' 10"	11' 10"	11' 10"	11' 0"	11' 0"	11' 0"	10' 3"	10' 3"	10' 3"
800S162-43	12	33	49' 1"	38' 11"	34' 0"	28' 7"	26' 7"	22' 5"	24' 9"	24' 2"	20' 4"	22' 1"	22' 1"	18' 11"	20' 2"	20' 2"	17' 9"	18' 8"	18' 8"	16' 11"	17' 6"	17' 6"	16' 2"
800S162-43	16	33	42' 10"	35' 4"	30' 11"	24' 9"	24' 2"	20' 4"	21' 5"	21' 5"	18' 6"	19' 2"	19' 2"	17' 2"	17' 6"	17' 6"	16' 2"	16' 2"	16' 2"	15' 4"	15' 2"	15' 2"	14' 8"
800S162-43	24	33	35' 0"	30' 11"	27' 0"	20' 2"	20' 2"	17' 9"	17' 6"	17' 6"	16' 2"	15' 8"	15' 8"	15' 0"	14' 3"	14' 3"	14' 1"	13' 3"	13' 3"	13' 3"	12' 4"	12' 4"	12' 4"
800S162-54	12	33	53' 1"	42' 2"	36' 10"	32' 11"	28' 9"	24' 3"	28' 10"	26' 1"	22' 0"	25' 10"	24' 3"	20' 5"	23' 7"	22' 10"	19' 3"	21' 10"	21' 8"	18' 3"	20' 5"	20' 5"	17' 6"
800S162-54	16	33	48' 3"	38' 3"	33' 5"	28' 10"	26' 1"	22' 0"	25' 0"	23' 9"	20' 0"	22' 4"	22' 0"	18' 7"	20' 5"	20' 5"	17' 6"	18' 11"	18' 11"	16' 7"	17' 8"	17' 8"	15' 11"
800S162-54	24	33	40' 10"	33' 5"	29' 3"	23' 7"	22' 10"	19' 3"	20' 5"	20' 5"	17' 6"	18' 3"	18' 3"	16' 3"	16' 8"	16' 8"	15' 3"	15' 5"	15' 5"	14' 6"	14' 5"	14' 5"	13' 10"
800S162-54	12	50	52' 9"	41' 10"	36' 7"	32' 8"	28' 7"	24' 1"	29' 9"	25' 11"	21' 11"	27' 7"	24' 1"	20' 4"	25' 11"	22' 8"	19' 1"	24' 8"	21' 6"	18' 2"	23' 5"	20' 7"	17' 4"
800S162-54	16	50	47' 11"	38' 1"	33' 3"	29' 9"	25' 11"	21' 11"	27' 0"	23' 7"	19' 11"	25' 1"	21' 11"	18' 6"	23' 5"	20' 7"	17' 4"	21' 8"	19' 7"	16' 6"	20' 3"	18' 9"	15' 9"
800S162-54	24	50	41' 10"	33' 3"	29' 0"	25' 11"	22' 8"	19' 1"	23' 5"	20' 7"	17' 4"	20' 11"	19' 1"	16' 2"	19' 1"	18' 0"	15' 2"	17' 8"	17' 1"	14' 5"	16' 6"	16' 4"	13' 9"
800S162-68	12	33	57' 1"	45' 4"	39' 7"	35' 4"	30' 11"	26' 1"	32' 2"	28' 1"	23' 8"	29' 10"	26' 1"	22' 0"	27' 5"	24' 6"	20' 8"	25' 5"	23' 4"	19' 8"	23' 9"	22' 3"	18' 10"
800S162-68	16	33	51' 10"	41' 2"	35' 11"	32' 2"	28' 1"	23' 8"	29' 1"	25' 6"	21' 6"	26' 0"	23' 8"	20' 0"	23' 9"	22' 3"	18' 10"	22' 0"	21' 2"	17' 10"	20' 7"	20' 3"	17' 1"
800S162-68	24	33	45' 4"	35' 11"	31' 5"	27' 5"	24' 6"	20' 8"	23' 9"	22' 3"	18' 10"	21' 3"	20' 8"	17' 5"	19' 5"	19' 5"	16' 5"	17' 11"	17' 11"	15' 7"	16' 10"	16' 10"	14' 11"
800S162-68	12	50	57' 0"	45' 3"	39' 6"	35' 4"	30' 10"	26' 0"	32' 1"	28' 1"	23' 8"	29' 10"	26' 0"	22' 0"	28' 1"	24' 6"	20' 8"	26' 8"	23' 3"	19' 8"	25' 6"	22' 3"	18' 9"
800S162-68	16	50	51' 10"	41' 1"	35' 11"	32' 1"	28' 1"	23' 8"	29' 2"	25' 6"	21' 6"	27' 1"	23' 8"	19' 11"	25' 6"	22' 3"	18' 9"	24' 3"	21' 2"	17' 10"	23' 2"	20' 3"	17' 1"
800S162-68	24	50	45' 3"	35' 11"	31' 5"	28' 1"	24' 6"	20' 8"	25' 6"	22' 3"	18' 9"	23' 8"	20' 8"	17' 5"	22' 3"	19' 5"	16' 5"	20' 9"	18' 6"	15' 7"	19' 5"	17' 8"	14' 11"
800S162-97	12	33	63' 5"	50' 4"	43' 11"	39' 3"	34' 4"	28' 11"	35' 8"	31' 2"	26' 4"	33' 2"	28' 11"	24' 5"	31' 2"	27' 3"	23' 0"	29' 7"	25' 11"	21' 10"	28' 3"	24' 9"	20' 11"
800S162-97	16	33	57' 7"	45' 9"	39' 11"	35' 8"	31' 2"	26' 4"	32' 5"	28' 4"	23' 11"	30' 1"	26' 4"	22' 5"	28' 3"	24' 9"	20' 11"	26' 2"	23' 6"	19' 10"	24' 6"	22' 9"	19' 0"
800S162-97	24	33	50' 4"	39' 11"	34' 11"	31' 2"	27' 3"	23' 0"	28' 3"	24' 9"	20' 11"	25' 4"	23' 0"	19' 5"	23' 1"	21' 7"	18' 3"	21' 5"	20' 6"	17' 4"	20' 0"	19' 8"	16' 7"
800S162-97	12	50	63' 5"	50' 4"	43' 11"	39' 3"	34' 4"	28' 11"	35' 8"	31' 2"	26' 4"	33' 2"	28' 11"	24' 5"	31' 2"	27' 3"	23' 0"	29' 7"	25' 11"	21' 10"	28' 4"	24' 9"	20' 11"
800S162-97	16	50	57' 7"	45' 9"	39' 11"	35' 8"	31' 2"	26' 4"	32' 5"	28' 4"	23' 11"	30' 1"	26' 4"	22' 2"	28' 4"	24' 9"	20' 11"	26' 1"	23' 6"	19' 10"	25' 9"	22' 6"	19' 0"
800S162-97	24	50	50' 4"	39' 11"	34' 11"	31' 2"	27' 3"	23' 0"	28' 4"	24' 9"	20' 11"	26' 4"	23' 0"	19' 5"	24' 9"	21' 7"	18' 3"	23' 6"	20' 6"	17' 4"	22' 6"	19' 8"	16' 7"
800S162-118	12	33	67' 1"	53' 3"	46' 6"	41' 7"	36' 4"	30' 8"	37' 9"	33' 0"	27' 10"	35' 1"	30' 8"	25' 10"	33' 0"	28' 10"	24' 4"	31' 4"	27' 5"	23' 1"	30' 0"	26' 2"	22' 1"
800S162-118	16	33	60' 11"	48' 4"	42' 3"	37' 9"	33' 0"	27' 10"	34' 4"	30' 0"	25' 3"	31' 10"	27' 10"	23' 6"	30' 0"	26' 2"	22' 1"	28' 6"	24' 11"	21' 0"	26' 8"	23' 10"	20' 1"
800S162-118	24	33	53' 3"	42' 3"	36' 11"	33' 0"	28' 10"	24' 4"	30' 0"	26' 2"	22' 1"	27' 6"	24' 4"	20' 6"	25' 2"	22' 11"	19' 4"	23' 3"	21' 9"	18' 4"	21' 9"	20' 9"	17' 6"
800S162-118	12	50	67' 1"	53' 3"	46' 6"	41' 7"	36' 4"	30' 8"	37' 9"	33' 0"	27' 10"	35' 1"	30' 8"	25' 10"	33' 0"	28' 10"	24' 4"	31' 4"	27' 5"	23' 1"	30' 0"	26' 2"	22' 1"
800S162-118	16	50	60' 11"	48' 4"	42' 3"	37' 9"	33' 0"	27' 10"	34' 4"	30' 0"	25' 3"	31' 10"	27' 10"	23' 6"	30' 0"	26' 2"	22' 1"	28' 6"	24' 11"	21' 0"	27' 3"	23' 10"	20' 1"
800S162-118	24	50	53' 3"	42' 3"	36' 11"	33' 0"	28' 10"	24' 4"	30' 0"	26' 2"	22' 1"	27' 10"	24' 4"	20' 6"	26' 2"	22' 11"	19' 4"	24' 11"	21' 9"	18' 4"	23' 10"	20'	

# Limiting Wall Heights - Curtain Wall 1-span



Stud Member	Spacing, in, oc	Fy, ksi	5 psf			15 psf			20 psf			25 psf			30 psf			35 psf			40 psf				
			L/120	L/240	L/360	L/240	L/360	L/600	L/240	L/360	L/600	L/240	L/360	L/600	L/240	L/360	L/600	L/240	L/360	L/600	L/240	L/360	L/600		
800S200-97	12	33	66'6"	52'9"	46'1"	41'2"	36'0"	30'4"	37'5"	32'8"	27'7"	34'9"	30'4"	25'7"	32'8"	28'7"	24'1"	31'1"	27'2"	22'11"	29'9"	25'11"	21'11"		
800S200-97	16	33	60'5"	47'11"	41'11"	37'5"	32'8"	27'7"	34'0"	29'9"	25'1"	31'7"	27'7"	23'3"	29'9"	25'11"	21'11"	28'1"	24'8"	20'10"	26'4"	23'7"	19'11"		
800S200-97	24	33	52'9"	41'11"	36'7"	32'8"	28'7"	24'1"	29'9"	25'11"	21'11"	27'2"	24'1"	20'4"	24'10"	22'8"	19'1"	23'0"	21'6"	18'2"	21'6"	20'7"	17'5"		
800S200-97	12	50	66'6"	52'9"	46'1"	41'2"	36'0"	30'4"	37'5"	32'8"	27'7"	34'9"	30'4"	25'7"	32'8"	28'7"	24'1"	31'1"	27'2"	22'11"	29'9"	25'11"	21'11"		
800S200-97	16	50	60'5"	47'11"	41'11"	37'5"	32'8"	27'7"	34'0"	29'9"	25'1"	31'7"	27'7"	23'3"	29'9"	25'11"	21'11"	28'3"	24'8"	20'10"	27'0"	23'7"	19'11"		
800S200-97	24	50	52'9"	41'11"	36'7"	32'8"	28'7"	24'1"	29'9"	25'11"	21'11"	27'7"	24'1"	20'4"	25'11"	22'8"	19'1"	24'8"	21'6"	18'2"	23'7"	20'7"	17'5"		
800S200-118	12	33	70'5"	55'11"	48'10"	43'8"	38'2"	32'2"	39'8"	34'8"	29'3"	36'10"	32'2"	27'1"	34'8"	30'3"	25'6"	32'11"	28'9"	24'3"	31'6"	27'6"	23'2"		
800S200-118	16	33	64'0"	50'9"	44'4"	39'8"	34'8"	29'3"	36'0"	31'6"	26'7"	33'5"	29'3"	24'8"	31'6"	27'6"	23'2"	29'11"	26'1"	22'0"	28'7"	25'0"	21'1"		
800S200-118	24	33	55'11"	44'4"	38'9"	34'8"	30'3"	25'6"	31'6"	27'6"	23'2"	29'3"	25'6"	21'6"	27'0"	24'0"	20'3"	25'0"	22'10"	19'3"	23'5"	21'10"	18'5"		
800S200-118	12	50	70'5"	55'11"	48'10"	43'8"	38'2"	32'2"	39'8"	34'8"	29'3"	36'10"	32'2"	27'1"	34'8"	30'3"	25'6"	32'11"	28'9"	24'3"	31'6"	27'6"	23'2"		
800S200-118	16	50	64'0"	50'9"	44'4"	39'8"	34'8"	29'3"	36'0"	31'6"	26'7"	33'5"	29'3"	24'8"	31'6"	27'6"	23'2"	29'11"	26'1"	22'0"	28'7"	25'0"	21'1"		
800S200-118	24	50	55'11"	44'4"	38'9"	34'8"	30'3"	25'6"	31'6"	27'6"	23'2"	29'3"	25'6"	21'6"	27'6"	24'0"	20'3"	26'1"	22'10"	19'3"	25'0"	21'10"	18'5"		
800S250-43	12	33	54'0"	42'11"	37'6"	31'4"	29'3"	24'8"	27'1"	e	26'7"	e	22'5"	24'3"	e	24'3"	e	20'10"	22'2"	e	22'2"	e	19'7"	e	
800S250-43	16	33	47'0"	39'0"	34'0"	27'1"	e	26'7"	e	22'5"	23'6"	e	20'4"	21'0"	e	21'0"	e	18'11"	19'2"	e	19'2"	e	17'10"	e	
800S250-43	24	33	38'4"	34'0"	29'9"	22'2"	e	22'2"	e	19'7"	e	19'2"	e	17'10"	17'2"	e	17'2"	e	16'6"	15'8"	e	15'8"	e	15'7"	e
800S250-54	12	33	58'1"	46'1"	40'3"	36'0"	31'5"	26'6"	31'8"	28'7"	24'1"	28'4"	26'6"	22'4"	25'10"	24'11"	21'1"	23'11"	23'8"	20'0"	22'5"	22'5"	19'1"	e	
800S250-54	16	33	52'9"	41'10"	36'7"	31'8"	28'7"	24'1"	27'5"	25'11"	21'11"	24'6"	24'1"	20'4"	22'5"	22'5"	19'1"	20'9"	20'9"	18'2"	19'5"	19'5"	17'4"	e	
800S250-54	24	33	44'9"	36'7"	31'11"	25'10"	e	24'11"	21'1"	22'5"	e	22'5"	e	19'1"	20'0"	e	20'0"	e	17'9"	18'3"	e	18'3"	e	16'8"	e
800S250-54	12	50	57'10"	45'11"	40'1"	35'10"	31'4"	26'5"	32'7"	28'5"	24'0"	30'3"	26'5"	22'3"	28'5"	24'10"	21'0"	27'0"	23'7"	19'11"	25'7"	22'7"	19'1"	e	
800S250-54	16	50	52'7"	41'8"	36'5"	32'7"	28'5"	24'0"	29'7"	25'10"	21'10"	27'6"	24'0"	20'3"	25'7"	22'7"	19'1"	23'8"	21'5"	18'1"	22'5"	22'5"	20'6"	17'4"	e
800S250-54	24	50	45'11"	36'5"	31'10"	28'5"	24'10"	21'0"	25'7"	22'7"	19'1"	22'10"	21'0"	17'8"	20'10"	19'9"	16'8"	19'4"	18'9"	15'10"	18'1"	17'11"	15'1"	e	
800S250-68	12	33	62'5"	49'6"	43'3"	38'8"	33'9"	28'6"	35'2"	30'8"	25'11"	32'7"	28'6"	24'0"	30'2"	26'10"	22'7"	27'11"	25'6"	21'6"	26'1"	24'4"	20'7"	e	
800S250-68	16	33	56'8"	45'0"	39'4"	35'2"	30'8"	25'11"	31'11"	27'11"	23'6"	28'7"	25'11"	21'10"	26'1"	24'4"	20'7"	24'2"	23'2"	19'6"	22'7"	22'2"	18'8"	e	
800S250-68	24	33	49'6"	39'4"	34'4"	30'2"	26'10"	22'7"	26'1"	24'4"	20'7"	23'4"	e	22'7"	21'1"	17'1"	19'9"	19'9"	17'1"	18'5"	18'5"	16'4"	e		
800S250-68	12	50	62'4"	49'6"	43'3"	38'8"	33'9"	28'6"	35'1"	30'8"	25'10"	32'7"	28'6"	24'0"	30'8"	26'10"	22'7"	29'2"	25'5"	21'6"	27'10"	24'4"	20'6"	e	
800S250-68	16	50	56'8"	44'11"	39'3"	35'1"	30'8"	25'10"	31'11"	27'10"	23'6"	29'7"	25'10"	21'10"	27'10"	24'4"	20'6"	26'6"	23'1"	19'6"	25'4"	22'1"	18'8"	e	
800S250-68	24	50	49'6"	39'3"	34'4"	30'8"	26'10"	22'7"	27'10"	24'4"	20'6"	25'10"	22'7"	19'1"	24'4"	21'3"	17'11"	22'8"	20'2"	17'0"	21'2"	19'4"	16'4"	e	
800S250-97	12	33	69'6"	55'2"	48'2"	43'1"	37'7"	31'9"	39'2"	34'2"	28'10"	36'4"	31'9"	26'9"	34'2"	29'10"	25'2"	32'6"	28'4"	23'11"	31'1"	27'2"	22'11"	e	
800S250-97	16	33	63'2"	50'1"	43'9"	39'2"	34'2"	28'10"	35'7"	31'1"	26'2"	33'0"	28'10"	24'4"	31'1"	27'2"	22'11"	29'2"	25'9"	21'9"	28'1"	24'8"	20'9"	e	
800S250-97	24	33	55'2"	43'9"	38'3"	34'2"	29'10"	25'2"	31'1"	27'2"	22'11"	28'10"	25'2"	21'3"	26'6"	23'8"	20'0"	24'6"	22'6"	19'0"	22'11"	21'6"	18'2"	e	
800S250-97	12	50	69'6"	55'2"	48'2"	43'1"	37'7"	31'9"	39'2"	34'2"	28'10"	36'4"	31'9"	26'9"	34'2"	29'10"	25'2"	32'6"	28'4"	23'11"	31'1"	27'2"	22'11"	e	
800S250-97	16	50	63'2"	50'1"	43'9"	39'2"	34'2"	28'10"	35'7"	31'1"	26'2"	33'0"	28'10"	24'4"	31'1"	27'2"	22'11"	29'6"	25'9"	21'9"	28'3"	24'8"	20'9"	e	
800S250-97	24	50	55'2"	43'9"	38'3"	34'2"	29'10"	25'2"	31'1"	27'2"	22'11"	28'10"	25'2"	21'3"	27'2"	23'8"	20'0"	25'9"	22'6"	19'0"	24'8"	21'6"	18'2"	e	
800S250-118	12	33	73'8"	58'6"	51'1"	45'8"	39'11"	33'8"	41'6"	36'3"	30'7"	38'6"	33'8"	28'4"	36'3"	31'8"	26'8"	34'5"	30'1"	25'4"	32'11"	28'9"	24'3"	e	
800S250-118	16	33	66'11"	53'1"	46'5"	41'6"	36'3"	30'7"	37'8"	32'11"	27'9"	35'0"	30'7"	25'9"	32'11"	28'9"	24'3"	31'3"	27'4"	23'1"	29'11"	26'2"	22'0"	e	
800S250-118	24	33	58'6"	46'5"	40'6"	36'3"	31'8"	26'8"	32'11"	28'9"	24'3"	30'7"	26'8"	22'6"	28'9"	25'2"	21'2"	26'9"	23'10"	20'2"	25'1"	22'10"	19'3"	e	
800S250-118	12	50	73'8"	58'6"	51'1"	45'8"	39'11"	33'8"	41'6"	36'3"	30'7"	38'6"	33'8"	28'4"	36'3"	31'8"	26'8"	34'5"	30'1"	25'4"	32'11"	28'9"	24'3"	e	
800S250-118	16	50	66'11"	53'1"	46'5"	41'6"	36'3"	30'7"	37'8"	32'11"	27'9"	35'0"	30'7"	25'9"	32'11"	28'9"	24'3"	31'3"	27'4"	23'1"	29'11"	26'2"	22'0"	e	
800S250-118	24	50	58'6"	46'5"	40'6"	36'3"	31'8"	26'8"	32'11"	28'9"	24'3"	30'7"	26'8"	22'6"	28'9"	25'2"	21'2"	27'4"	23'10"	20'2"	26'2"	22'10"	19'3"	e	
800S300-54	12	33	60'0"	47'8"	41'7"	37'2"	32'6"	27'5"	32'3"	29'6"	24'11"	28'10"	27'5"	23'1"	26'4"	e	25'10"	21'9"	24'4"	e	24'4"	e	20'8"	e	
800S300-54	16	33	54'6"	43'3"	37'10"	32'3"	29'6"	24'11"	27'1"	e	26'10"	22'8"	24'11"	e	21'0"	22'9"	e	22'9"	e	19'9"	19'9"	e	18'0"	e	
800S300-54	24	33	45'7"	37'10"	33'0"	26'4"	e	25'10"	21'9"	22'9"	e	19'9"	20'5"	e	20'5"	e	18'4"	18'7"	e	18'7"	e	17'3"	e	15'8"	e
800S300-54	12	50	59'1"	46'11"	41'0"	36'7"	32'0"	27'0"	33'3"	29'1"	24'6"	30'11"	27'0"	22'9"	29'1"	25'5"	21'5"	27'7"	24'1"	20'4"	25'11"	23'1"	19'5"	e	
800S300-54	16	50	53'8"	42'7"	37'3"	33'3"	29'1"	24'6"	30'3"	26'5"	22'3"	28'1"	24'6"	20'8"	25'11"	23'1"	19'5"	24'0"	21'11"	18'6"	22'5"	20'11"	17'8"	e	
800S300-54	24	50	46'11"	37'3"	32'6"	29'1"	25'5"	21'5"	25'11"	23'1"	19'5"	33'2"	e	21'5"	18'1"	21'2"	e	20'2"	e	17'0"	19'7"	e	19'2"	e	
800S300-68	12	33	64'9"	51'5"	44'11"	40'2"	35'1"	29'7"	36'6"	31'10"	26'10"	33'8"	29'7"	24'11"	30'9"	27'10"	23'6"	28'6"	26'5"	22'4"	34'5"	30'1"	25'4"	e	
800S300-68	16	33	58'10"	46'8"	40'9"	36'6"	31'10"	26'10"	32'7"	28'11"	24'5"	29'2"	26'10"	22'8"	26'8"	25'3"	21'4"	24'8"	24'0"	20'3"	23'1"	e	23'0"	e	
800S300-68	24	33	51'5"	40'9"	35'8"	30'9"	27'10"	23'6"	26'8"	25'3"	21'4"	23'10"	e	23'6"	19'10"	21'9"	e	21'9"	e	18'8"	18'10"	e	16'11"	e	
800S300-68	12	50	64'2"	50'11"	44'6"	39'9"	34'9"	29'4"	36'2"	31'7"	26'8"	33'7"	29'4"	24'9"	31'7"	27'7"	23'3"	30'0"	26'2"	22'1"	28'8"	25'1"	21'2"	e	
800S300-68	16	50	58'4"	46'3"	40'5"	36'2"	31'7"	26'8"	32'10"	28'8"	24'2"	30'6"	26'8"	22'6"	28'8"	25'1"	21'2"	27'3"	23'10"	20'1"	26'1"	22'9"	19'2"	e	
800S300-68	24	50	50'11"	40'5"	35'4"	31'7"	27'7"	23'3"	28'8"	25'1"	21'2"	26'8"	23'3"	19'7"	24'10"	21'11"	18'6"	23'0"	20'10"	17'6"	21'6"	19'11"	16'9"	e	
800S300-97	12	33	72'3"	57'4"	50'1"	44'9"	39'1"	33'0"	40'8"	35'6"	30'0"	37'9"	33'0"	27'10"	35'6"	31'1"	26'2"	33'9"	29'6"	24'10"	32'3"	28'2"	23'9"	e	
800S300-97	16	33	65'8"	52'1"	45'6"	40'8"	35'6"	30'0"	37'0"</																

# Limiting Wall Heights - Curtain Wall 1-span



Stud Member	Spacing, in, oc	F <sub>y</sub> , ksi	5 psf			15 psf			20 psf			25 psf			30 psf			35 psf			40 psf		
			L/120	L/240	L/360	L/240	L/360	L/600	L/240	L/360	L/600	L/240	L/360	L/600	L/240	L/360	L/600	L/240	L/360	L/600	L/240	L/360	L/600
800S350-54	12	50	62' 3"	49' 5"	43' 2"	38' 7"	33' 8"	28' 5"	35' 1"	30' 7"	25' 10"	32' 6"	28' 5"	24' 0"	30' 7"	26' 9"	22' 7"	29' 1"	25' 5"	21' 5"	27' 10"	24' 4"	20' 6"
800S350-54	16	50	56' 7"	44' 11"	39' 2"	35' 1"	30' 7"	25' 10"	31' 10"	27' 10"	23' 6"	29' 7"	25' 10"	21' 9"	27' 10"	24' 4"	20' 6"	26' 5" e	23' 1"	19' 6"	24' 11" e	22' 1" e	18' 7"
800S350-54	24	50	49' 5"	39' 2"	34' 3"	30' 7"	26' 9"	22' 7"	27' 10"	24' 4"	20' 6"	25' 9" e	22' 7"	19' 0"	23' 6" e	21' 3" e	17' 11"	21' 9" e	20' 2" e	17' 0" e	20' 4" e	19' 3" e	16' 3" e
800S350-68	12	33	68' 1"	54' 1"	47' 3"	42' 3"	36' 10"	31' 1"	38' 4"	33' 6"	28' 3"	35' 7"	31' 1"	26' 3"	33' 6"	29' 3"	24' 8"	31' 5"	27' 10"	23' 5"	29' 5" e	26' 7"	22' 5"
800S350-68	16	33	61' 11"	49' 1"	42' 11"	38' 4"	33' 6"	28' 3"	34' 10"	30' 5"	25' 8"	32' 3"	28' 3"	23' 10"	29' 5" e	26' 7"	22' 5"	27' 3" e	25' 3" e	21' 4"	25' 6" e	24' 2" e	20' 5"
800S350-68	24	33	54' 1"	42' 11"	37' 6"	33' 6"	29' 3"	24' 8"	29' 5" e	26' 7"	22' 5"	26' 4" e	24' 8" e	20' 10"	24' 0" e	23' 3" e	19' 7" e	22' 3" e	22' 1" e	18' 7" e	20' 10" e	20' 10" e	17' 10" e
800S350-68	12	50	67' 10"	53' 10"	47' 1"	42' 1"	36' 9"	31' 0"	38' 2"	33' 5"	28' 2"	35' 6"	31' 0"	26' 2"	33' 5"	29' 2"	24' 7"	31' 8"	27' 8"	23' 4"	30' 4"	26' 6"	22' 4"
800S350-68	16	50	61' 8"	48' 11"	42' 9"	38' 2"	33' 5"	28' 2"	34' 9"	30' 4"	25' 7"	32' 3"	28' 2"	23' 9"	30' 4"	26' 6"	22' 4"	28' 10"	25' 2"	21' 3"	27' 7"	24' 1"	20' 4"
800S350-68	24	50	53' 10"	42' 9"	37' 4"	33' 5"	29' 2"	24' 7"	30' 4"	26' 6"	22' 4"	28' 2"	24' 7"	20' 9"	26' 6"	23' 2"	19' 6"	25' 2"	22' 0"	18' 6"	23' 10" e	21' 0"	17' 9"
800S350-97	12	33	76' 0"	60' 4"	52' 8"	47' 1"	41' 2"	34' 8"	42' 10"	37' 5"	31' 6"	39' 9"	34' 8"	29' 3"	37' 5"	32' 8"	27' 7"	35' 6"	31' 0"	26' 2"	34' 0"	29' 8"	25' 0"
800S350-97	16	33	69' 1"	54' 10"	47' 11"	42' 10"	37' 5"	31' 6"	38' 11"	34' 0"	28' 8"	36' 1"	31' 6"	26' 7"	34' 0"	29' 8"	25' 0"	32' 3"	28' 2"	23' 9"	30' 10"	27' 0"	22' 9"
800S350-97	24	33	60' 4"	47' 11"	41' 10"	37' 5"	32' 8"	27' 7"	34' 0"	29' 8"	25' 0"	31' 6"	27' 7"	23' 3"	29' 8"	25' 11"	21' 10"	27' 10"	24' 7"	20' 9"	26' 0"	23' 7"	19' 10"
800S350-97	12	50	76' 0"	60' 4"	52' 8"	47' 1"	41' 2"	34' 8"	42' 10"	37' 5"	31' 6"	39' 9"	34' 8"	29' 3"	37' 5"	32' 8"	27' 7"	35' 6"	31' 0"	26' 2"	34' 0"	29' 8"	25' 0"
800S350-97	16	50	69' 1"	54' 10"	47' 11"	42' 10"	37' 5"	31' 6"	38' 11"	34' 0"	28' 8"	36' 1"	31' 6"	26' 7"	34' 0"	29' 8"	25' 0"	32' 3"	28' 2"	23' 9"	30' 10"	27' 0"	22' 9"
800S350-97	24	50	60' 4"	47' 11"	41' 10"	37' 5"	32' 8"	27' 7"	34' 0"	29' 8"	25' 0"	31' 6"	27' 7"	23' 3"	29' 8"	25' 11"	21' 10"	28' 2"	24' 7"	20' 9"	27' 0"	23' 7"	19' 10"
800S350-118	12	33	80' 8"	64' 1"	55' 11"	50' 0"	43' 8"	36' 10"	45' 5"	39' 8"	33' 6"	42' 2"	36' 10"	31' 1"	39' 8"	34' 8"	29' 3"	37' 9"	32' 11"	27' 9"	36' 1"	31' 6"	26' 7"
800S350-118	16	33	73' 4"	58' 2"	50' 10"	45' 5"	39' 8"	33' 6"	41' 3"	36' 1"	30' 5"	38' 4"	33' 6"	28' 3"	36' 1"	31' 6"	26' 7"	34' 3"	29' 11"	25' 3"	32' 9"	28' 8"	24' 2"
800S350-118	24	33	64' 1"	50' 10"	44' 5"	39' 8"	34' 8"	29' 3"	36' 1"	31' 6"	26' 7"	33' 6"	29' 3"	24' 8"	31' 6"	27' 6"	23' 3"	29' 11"	26' 2"	22' 1"	28' 8"	25' 0"	21' 1"
800S350-118	12	50	80' 8"	64' 1"	55' 11"	50' 0"	43' 8"	36' 10"	45' 5"	39' 8"	33' 6"	42' 2"	36' 10"	31' 1"	39' 8"	34' 8"	29' 3"	37' 9"	32' 11"	27' 9"	36' 1"	31' 6"	26' 7"
800S350-118	16	50	73' 4"	58' 2"	50' 10"	45' 5"	39' 8"	33' 6"	41' 3"	36' 1"	30' 5"	38' 4"	33' 6"	28' 3"	36' 1"	31' 6"	26' 7"	34' 3"	29' 11"	25' 3"	32' 9"	28' 8"	24' 2"
800S350-118	24	50	64' 1"	50' 10"	44' 5"	39' 8"	34' 8"	29' 3"	36' 1"	31' 6"	26' 7"	33' 6"	29' 3"	24' 8"	31' 6"	27' 6"	23' 3"	29' 11"	26' 2"	22' 1"	28' 8"	25' 0"	21' 1"

See Curtain Wall Limiting Heights Table Notes on page 23.

## Wall Height Table Notes

1. Listed span is the distance from either end to the center support, with the stud continuous past the center support. All calculations are based on AISI S100-07, North American Specification for the Design of Cold-Formed Steel Structural Members.
2. Studs must be braced against rotation and lateral movement of all supports. Lateral loads have not been modified for strength checks: full loads are applied.
3. Lateral loads of 10 psf and higher wind pressures have been multiplied by 0.7 for deflection determination, in accordance with footnote "f" of IBC table 1604.3. The 5 psf live load has not been reduced.
4. Limiting heights are based upon continuous support of each flange over the full length of the stud.
5. Limiting heights are based upon steel properties alone (non-composite).
6. Web crippling checks are based upon end-one flange loading condition using 1-inch end bearing.
7. End shear and web crippling capacity have not been reduced for punchouts. Punchouts are assumed to be at least 10-inches from the end of members, in accordance with ASTM C955, section 4.6.
8. Mid-Span supports not checked for web crippling. Web stiffeners required at mid-span supports.
9. Shear capacity at mid-span support has been reduced for the presence of punchouts adjacent to the support. Mid-span combined bending and shear check based on stiffened web.
10. Where limiting heights are followed by "e", web stiffeners are required.
11. Curtain Wall 2-span (2 equal spans) is a stud member that is attached to structure at the top, midpoint, and bottom of the stud.

# Limiting Wall Heights - Curtain Wall 2-span



Stud Member	Spacing, in, oc	Fy, ksi	5 psf			15 psf			20 psf			25 psf			30 psf			35 psf			40 psf		
			L/120	L/240	L/360	L/240	L/360	L/600	L/240	L/360	L/600	L/240	L/360	L/600	L/240	L/360	L/600	L/240	L/360	L/600	L/240	L/360	L/600
250S137-33	12	33	20'6"	18'7"	16'3"	11'10"	11'10"	10'8"	10'3"	10'3"	9'9"	9'2"	9'2"	9'0"	8'4"	8'4"	8'4"	7'9"	7'9"	7'9"	7'3"	7'3"	7'3"
250S137-33	16	33	17'9"	16'11"	14'9"	10'3"	10'3"	9'9"	8'10"	8'10"	8'10"	7'11"	7'11"	7'11"	7'3"	7'3"	7'3"	6'8"	6'8"	6'8"	6'3"	6'3"	6'3"
250S137-33	24	33	14'6"	14'6"	12'11"	8'4"	8'4"	8'4"	7'3"	7'3"	7'3"	6'6"	6'6"	6'6"	5'11"	5'11"	5'11"	5'6"	5'6"	5'6"	5'1"	5'1"	5'1"
250S137-43	12	33	23'7"	20'2"	17'8"	13'8"	13'8"	11'7"	11'10"	11'10"	10'7"	10'7"	10'7"	9'10"	9'8"	9'8"	9'3"	8'11"	8'11"	8'9"	8'4"	8'4"	8'4"
250S137-43	16	33	20'5"	18'4"	16'0"	11'10"	11'10"	10'7"	10'3"	10'3"	9'7"	9'2"	9'2"	8'11"	8'4"	8'4"	8'4"	7'9"	7'9"	7'9"	7'3"	7'3"	7'3"
250S137-43	24	33	16'8"	16'0"	14'0"	9'8"	9'8"	9'3"	8'4"	8'4"	8'4"	7'6"	7'6"	7'6"	6'10"	6'10"	6'10"	6'4"	6'4"	6'4"	5'11"	5'11"	5'11"
250S137-54	12	33	26'1"	21'7"	18'10"	15'1"	14'9"	12'5"	13'1"	13'1"	11'3"	11'8"	11'8"	10'6"	10'8"	10'8"	9'10"	9'10"	9'10"	9'4"	9'3"	9'3"	8'11"
250S137-54	16	33	22'7"	19'7"	17'2"	13'1"	13'1"	11'3"	11'4"	11'4"	10'3"	10'1"	10'1"	9'6"	9'3"	9'3"	8'11"	8'7"	8'7"	8'6"	8'0"	8'0"	8'0"
250S137-54	24	33	18'5"	17'2"	15'0"	10'8"	10'8"	9'10"	9'3"	9'3"	8'11"	8'3"	8'3"	8'3"	7'6"	7'6"	7'6"	7'0"	7'0"	7'0"	6'6"	6'6"	6'6"
250S137-54	12	50	27'2"	21'7"	18'10"	16'10"	14'9"	12'5"	15'4"	13'5"	11'3"	14'3"	12'5"	10'6"	13'1"	11'8"	9'10"	12'2"	11'1"	9'4"	11'4"	10'7"	8'11"
250S137-54	16	50	24'9"	19'7"	17'2"	15'4"	13'5"	11'3"	13'11"	12'2"	10'3"	12'5"	11'3"	9'6"	11'4"	10'7"	8'11"	10'6"	10'1"	8'6"	9'10"	9'8"	8'2"
250S137-54	24	50	21'7"	17'2"	15'0"	13'1"	11'8"	9'10"	11'4"	10'7"	8'11"	10'2"	9'10"	8'4"	9'3"	9'3"	7'10"	8'7"	8'7"	7'5"	8'0"	8'0"	7'1"
250S137-68	12	33	28'9"	23'0"	20'1"	16'7"	15'8"	13'3"	14'4"	14'3"	12'0"	12'10"	12'10"	11'2"	11'9"	11'9"	10'6"	10'10"	10'10"	10'0"	10'2"	10'2"	9'7"
250S137-68	16	33	24'11"	20'11"	18'3"	14'4"	14'3"	12'0"	12'5"	12'5"	10'11"	11'2"	11'2"	10'2"	10'2"	10'2"	9'7"	9'5"	9'5"	9'1"	8'10"	8'10"	8'8"
250S137-68	24	33	20'4"	18'3"	16'0"	11'9"	11'9"	10'6"	10'2"	10'2"	9'7"	9'1"	9'1"	8'10"	8'4"	8'4"	8'4"	7'8"	7'8"	7'8"	7'2"	7'2"	7'2"
250S137-68	12	50	29'0"	23'0"	20'1"	18'0"	15'8"	13'3"	16'4"	14'3"	12'0"	15'2"	13'3"	11'2"	14'3"	12'6"	10'6"	13'4"	11'10"	10'0"	12'6"	11'4"	9'7"
250S137-68	16	50	26'4"	20'11"	18'3"	16'4"	14'3"	12'0"	14'10"	13'0"	10'11"	13'8"	12'0"	10'2"	12'6"	11'4"	9'7"	11'7"	10'9"	9'1"	10'10"	10'3"	8'8"
250S137-68	24	50	23'0"	18'3"	16'0"	14'3"	12'6"	10'6"	12'6"	11'4"	9'7"	11'2"	10'6"	8'10"	10'3"	9'11"	8'4"	9'5"	9'5"	7'11"	8'10"	8'10"	7'7"
250S162-33	12	33	21'9"	19'6"	17'1"	12'7"	12'7"	11'3"	10'11"	10'11"	10'2"	9'9"	9'9"	9'6"	8'11"	8'11"	8'11"	8'3"	8'3"	8'3"	7'8"	7'8"	7'8"
250S162-33	16	33	18'10"	17'9"	15'6"	10'11"	10'11"	10'2"	9'5"	9'5"	9'3"	8'5"	8'5"	8'3"	7'8"	7'8"	7'8"	7'2"	7'2"	7'2"	6'8"	6'8"	6'8"
250S162-33	24	33	15'5"	15'5"	13'6"	8'11"	8'11"	8'11"	7'8"	7'8"	7'8"	6'11"	6'11"	6'11"	6'3"	6'3"	6'3"	5'10"	5'10"	5'10"	5'5"	5'5"	5'5"
250S162-43	12	33	25'5"	21'3"	18'6"	14'8"	14'6"	12'2"	12'9"	12'9"	11'1"	11'4"	11'4"	10'4"	10'5"	10'5"	9'8"	9'7"	9'7"	9'2"	9'0"	9'0"	8'10"
250S162-43	16	33	22'0"	19'3"	16'10"	12'9"	12'9"	11'1"	11'0"	11'0"	10'1"	9'10"	9'10"	9'4"	9'0"	9'0"	8'10"	8'4"	8'4"	8'4"	7'9"	7'9"	7'9"
250S162-43	24	33	18'0"	16'10"	14'9"	10'5"	10'5"	9'8"	9'0"	9'0"	8'10"	8'1"	8'1"	8'1"	7'4"	7'4"	7'4"	6'10"	6'10"	6'10"	6'4"	6'4"	6'4"
250S162-54	12	33	28'2"	22'8"	19'10"	16'3"	15'6"	13'1"	14'1"	14'1"	11'10"	12'7"	12'7"	11'0"	11'6"	11'6"	10'4"	10'8"	10'8"	9'10"	9'11"	9'11"	9'5"
250S162-54	16	33	24'4"	20'7"	18'0"	14'1"	14'1"	11'10"	12'2"	12'2"	10'9"	10'11"	10'11"	10'0"	9'11"	9'11"	9'5"	9'3"	9'3"	8'11"	8'7"	8'7"	8'7"
250S162-54	24	33	19'11"	18'0"	15'9"	11'6"	11'6"	10'4"	9'11"	9'11"	9'5"	8'11"	8'11"	8'9"	8'1"	8'1"	8'1"	7'6"	7'6"	7'6"	7'0"	7'0"	7'0"
250S162-54	12	50	28'7"	22'8"	19'10"	17'9"	15'6"	13'1"	16'1"	14'1"	11'10"	14'11"	13'1"	11'0"	14'1"	12'3"	10'4"	13'1"	11'8"	9'10"	12'2"	11'2"	9'5"
250S162-54	16	50	26'0"	20'7"	18'0"	16'1"	14'1"	11'10"	14'8"	12'9"	10'9"	13'4"	11'10"	10'0"	11'6"	11'2"	9'5"	11'4"	10'7"	8'11"	10'7"	10'2"	8'7"
250S162-54	24	50	22'8"	18'0"	15'9"	14'1"	12'3"	10'4"	12'2"	11'2"	9'5"	10'11"	10'4"	8'9"	10'0"	9'9"	8'3"	9'3"	9'3"	7'10"	8'8"	8'8"	7'6"
250S162-68	12	33	30'6"	24'3"	21'2"	17'11"	16'6"	13'11"	15'6"	15'0"	12'8"	13'11"	13'11"	11'9"	12'8"	12'8"	11'1"	11'9"	11'9"	10'6"	11'0"	11'0"	10'1"
250S162-68	16	33	26'11"	22'0"	19'3"	15'6"	15'0"	12'8"	13'5"	13'5"	11'6"	12'0"	12'0"	10'8"	11'0"	11'0"	10'1"	10'2"	10'2"	9'7"	9'6"	9'6"	9'2"
250S162-68	24	33	21'11"	19'3"	16'10"	12'8"	12'8"	11'1"	11'0"	11'0"	10'1"	9'10"	9'10"	9'4"	8'11"	8'11"	8'9"	8'1"	8'1"	8'1"	7'5"	7'5"	7'5"
250S162-68	12	50	30'6"	24'3"	21'2"	18'11"	16'6"	13'11"	17'2"	15'0"	12'8"	16'0"	13'11"	11'9"	15'0"	13'1"	11'1"	14'3"	12'6"	10'6"	13'6"	11'11"	10'1"
250S162-68	16	50	27'9"	22'0"	19'3"	17'2"	15'0"	12'8"	15'7"	13'8"	11'6"	14'6"	12'8"	10'8"	13'6"	11'11"	10'1"	12'6"	11'4"	9'7"	11'8"	10'10"	9'2"
250S162-68	24	50	24'3"	19'3"	16'10"	15'0"	13'1"	11'1"	13'6"	11'11"	10'1"	12'1"	11'1"	9'4"	11'0"	10'5"	8'9"	10'3"	9'11"	8'4"	9'7"	9'6"	8'0"
350S162-33	12	33	26'7"	25'3"	22'1"	15'4"	15'4"	14'6"	13'3"	13'3"	13'2"	11'10"	11'10"	11'10"	10'10"	10'10"	10'10"	10'0"	10'0"	10'0"	9'5"	9'5"	9'5"
350S162-33	16	33	23'0"	22'11"	20'0"	13'3"	13'3"	13'2"	11'6"	11'6"	11'6"	10'3"	10'3"	10'3"	9'5"	9'5"	9'5"	8'8"	8'8"	8'8"	8'2"	8'2"	8'2"
350S162-33	24	33	18'9"	18'9"	17'6"	10'10"	10'10"	10'10"	9'5"	9'5"	9'5"	8'5"	8'5"	8'5"	7'8"	7'8"	7'8"	7'1"	7'1"	7'1"	6'8"	6'8"	6'8"
350S162-43	12	33	31'2"	27'5"	24'0"	18'0"	18'0"	15'10"	15'7"	15'7"	14'4"	13'11"	13'11"	13'4"	12'9"	12'9"	12'6"	11'9"	11'9"	11'9"	11'0"	11'0"	11'0"
350S162-43	16	33	27'0"	24'11"	21'9"	15'7"	15'7"	14'4"	13'6"	13'6"	13'0"	12'1"	12'1"	12'1"	11'0"	11'0"	11'0"	10'3"	10'3"	10'3"	9'7"	9'7"	9'7"
350S162-43	24	33	22'1"	21'9"	19'0"	12'9"	12'9"	12'6"	11'0"	11'0"	11'0"	9'10"	9'10"	9'10"	9'0"	9'0"	8'4"	8'4"	8'4"	7'10"	7'10"	7'10"	
350S162-54	12	33	35'1"	29'5"	25'8"	20'3"	20'1"	16'11"	17'6"	17'6"	15'4"	15'8"	15'8"	14'3"	14'4"	14'4"	13'5"	13'3"	13'3"	12'9"	12'5"	12'5"	12'2"
350S162-54	16	33	30'5"	26'9"	23'4"	17'6"	17'6"	15'4"	15'2"	15'2"	14'0"	13'7"	13'7"	13'0"	12'5"	12'5"	12'2"	11'6"	11'6"	11'6"	10'9"	10'9"	10'9"
350S162-54	24	33	24'10"	23'4"	20'5"	14'4"	14'4"	13'5"	12'5"	12'5"	12'2"	11'1"	11'1"	11'1"	10'2"	10'2"	10'2"	9'5"	9'5"	9'5"	8'9"	8'9"	8'9"
350S162-54	12	50	37'1"	29'5"	25'8"	23'0"	20'1"	16'11"	20'10"	18'3"	15'4"	18'9"	16'11"	14'3"	17'1"	15'11"	13'5"	15'10"	15'2"	12'9"	14'10"	14'6"	12'2"
350S162-54	16	50	33'8"	26'9"	23'4"	20'10"	18'3"	15'4"	18'2"	16'7"	14'0"	16'3"	15'4"	13'0"	14'10"	14'6"	12'2"	13'9"	13'9"	11'7"	12'10"	12'10"	11'1"
350S162-54	24	50	29'5"	23'4"	20'5"	17'1"	15'11"	13'5"	14'10"	14'6"	12'2"	13'3"	13'3"	11'4"	12'1"	12'1"	10'8"	11'2"	11'2"	10'2"	10'6"	10'6"	9'8"
350S162-68	12	33	38'10"	31'5"	27'6"	22'5"	21'6"	18'1"	19'5"	19'5"	16'5"	17'4"	17'4"	15'3"	15'10"	15'10"	14'4"	14'8"	14'8"	13'8"	13'9"	13'9"	13'1"
350S162-68	16	33	33'7"	28'7"	25'0"	19'5"	19'5"	16'5"	16'10"	16'10"	14'11"	15'0"	15'0"	13'10"	13'9"	13'9"	13'1"	12'8"	12'8"	12'5"	11'11"	11'11"	11'10"
350S162-68	24	33	27'5"	25'0"	21'10"	15'10"	15'10"	14'4"	13'9"	13'9"	13'1"	12'3"	12'3"	12'1"	11'2"	11'2"	11'2"	10'4"	10'4"	10'4"	9'8"	9'8"	9'8"
350S162-68	12	50	39'8"	31'5"	27'6"	24'7"	21'6"	18'1"	22'4"	19'6"	16'5"	20'9"	18'1"	15'3"	19'6"	17'0"	14'4"	18'1"	16'2"	13'8"	16'11"	15'6"	13'1"
350S162-68	16	50	36'0"	28'7"	25'0"	22'4"	19'6"	16'5"	20'3"	17'9"	14'11"	18'6"	16'5"	13'10"	16'11"	15'6"	13'1"	15'8"	14'8"	12'5"	14'8"	14'1"	11'10"
350S162-68	24	50	31'5"	25'0"	21'10"	19'6"	17'0"	14'4"	16'11"	15'6"	13'1"	15'1"	14'4"	12'1"	13'9"	13'6"	11'5"	12'9"	12'9"	10'10"	11'11"	11'11"	10'4"
350S162-97	12	33	43'9"</																				



# Limiting Wall Heights - Curtain Wall 2-span



Stud Member	Spacing, in, oc	Fy, ksi	5 psf			15 psf			20 psf			25 psf			30 psf			35 psf			40 psf		
			L/120	L/240	L/360	L/240	L/360	L/600	L/240	L/360	L/600	L/240	L/360	L/600	L/240	L/360	L/600	L/240	L/360	L/600	L/240	L/360	L/600
350S200-54	12	33	38' 2"	31' 1"	27' 2"	22' 0"	21' 2"	17' 11"	19' 1"	19' 1"	16' 3"	17' 1"	17' 1"	15' 1"	15' 7"	15' 7"	14' 2"	14' 5"	14' 5"	13' 6"	13' 6"	13' 6"	12' 11"
350S200-54	16	33	33' 0"	28' 3"	24' 8"	19' 1"	19' 1"	16' 3"	16' 6"	16' 6"	14' 9"	14' 9"	14' 9"	13' 8"	13' 6"	13' 6"	12' 11"	12' 6"	12' 6"	12' 3"	11' 8"	11' 8"	11' 8"
350S200-54	24	33	27' 0"	24' 8"	21' 7"	15' 7"	15' 7"	14' 2"	13' 6"	13' 6"	12' 11"	12' 1"	12' 1"	12' 0"	11' 0"	11' 0"	11' 0"	10' 2"	10' 2"	10' 2"	9' 6"	9' 6"	9' 6"
350S200-54	12	50	39' 2"	31' 1"	27' 2"	24' 3"	21' 2"	17' 11"	22' 0"	19' 3"	16' 3"	19' 8"	17' 11"	15' 1"	18' 0"	16' 10"	14' 2"	16' 8"	16' 0"	13' 6"	15' 7"	15' 4"	12' 11"
350S200-54	16	50	35' 7"	28' 3"	24' 8"	22' 0"	19' 3"	16' 3"	19' 1"	17' 6"	14' 9"	17' 1"	16' 3"	13' 8"	15' 7"	15' 4"	12' 11"	14' 5"	14' 5"	12' 3"	13' 6"	13' 6"	11' 9"
350S200-54	24	50	31' 1"	24' 8"	21' 7"	18' 0"	16' 10"	14' 2"	15' 7"	15' 4"	12' 11"	13' 11"	13' 11"	12' 0"	12' 8"	12' 8"	11' 3"	11' 9"	11' 9"	10' 8"	11' 0"	11' 0"	10' 3"
350S200-68	12	33	41' 11"	33' 3"	29' 1"	24' 5"	22' 9"	19' 2"	21' 1"	20' 8"	17' 5"	18' 11"	18' 11"	16' 2"	17' 3"	17' 3"	15' 2"	16' 0"	16' 0"	14' 5"	14' 11"	14' 11"	13' 10"
350S200-68	16	33	36' 7"	30' 3"	26' 5"	21' 1"	20' 8"	17' 5"	18' 4"	18' 4"	15' 10"	16' 4"	16' 4"	14' 8"	14' 11"	14' 11"	13' 10"	13' 10"	13' 10"	13' 1"	12' 11"	12' 11"	12' 7"
350S200-68	24	33	29' 11"	26' 5"	23' 1"	17' 3"	17' 3"	15' 2"	14' 11"	14' 11"	13' 10"	13' 4"	13' 4"	12' 10"	12' 2"	12' 2"	12' 1"	11' 4"	11' 4"	11' 4"	10' 7"	10' 7"	10' 7"
350S200-68	12	50	41' 11"	33' 3"	29' 1"	26' 0"	22' 9"	19' 2"	23' 7"	20' 8"	17' 5"	21' 11"	19' 2"	16' 2"	20' 8"	18' 0"	15' 2"	19' 6"	17' 1"	14' 5"	18' 3"	16' 5"	13' 10"
350S200-68	16	50	38' 1"	30' 3"	26' 5"	23' 7"	20' 8"	17' 5"	21' 6"	18' 9"	15' 10"	19' 11"	17' 5"	14' 8"	18' 3"	16' 5"	13' 10"	16' 11"	15' 7"	13' 5"	15' 10"	14' 11"	12' 7"
350S200-68	24	50	33' 3"	26' 5"	23' 1"	20' 8"	18' 0"	15' 2"	18' 3"	16' 5"	13' 10"	16' 4"	15' 2"	12' 10"	14' 11"	14' 4"	12' 1"	13' 10"	13' 7"	11' 6"	12' 11"	12' 11"	11' 0"
350S200-97	12	33	46' 4"	36' 10"	32' 2"	28' 4"	25' 1"	21' 2"	24' 7"	22' 10"	19' 3"	22' 0"	21' 2"	17' 10"	20' 1"	19' 11"	16' 10"	18' 3"	18' 3"	16' 0"	16' 10"	16' 10"	15' 3"
350S200-97	16	33	42' 2"	33' 5"	29' 3"	24' 7"	22' 10"	19' 3"	21' 3"	20' 9"	17' 6"	18' 10"	18' 10"	16' 3"	16' 10"	16' 10"	15' 3"	15' 2"	15' 2"	14' 6"	13' 11"	13' 11"	13' 11"
350S200-97	24	33	34' 9"	29' 3"	25' 6"	20' 1"	19' 11"	16' 10"	16' 10"	16' 10"	15' 3"	14' 6"	14' 6"	14' 2"	12' 10"	12' 10"	12' 10"	11' 6"	11' 6"	11' 6"	10' 5"	10' 5"	10' 5"
350S200-97	12	50	46' 4"	36' 10"	32' 2"	28' 9"	25' 1"	21' 2"	26' 1"	22' 10"	19' 3"	23' 3"	21' 2"	17' 10"	22' 10"	19' 11"	16' 10"	21' 8"	18' 11"	16' 0"	20' 9"	18' 1"	15' 3"
350S200-97	16	50	42' 2"	33' 5"	29' 3"	26' 1"	22' 10"	19' 3"	23' 9"	20' 9"	17' 6"	22' 0"	19' 3"	16' 3"	20' 9"	18' 1"	15' 3"	19' 7"	17' 2"	14' 6"	18' 1"	16' 5"	13' 11"
350S200-97	24	50	36' 10"	29' 3"	25' 6"	22' 10"	19' 11"	16' 10"	20' 9"	18' 1"	15' 3"	18' 10"	16' 10"	14' 2"	16' 10"	15' 10"	13' 4"	15' 3"	15' 0"	12' 8"	13' 11"	13' 11"	12' 1"
362S137-33	12	33	25' 4"	24' 9"	21' 7"	14' 7"	14' 7"	14' 3"	12' 8"	12' 8"	12' 8"	11' 4"	11' 4"	11' 4"	10' 4"	10' 4"	10' 4"	9' 7" e	9' 7" e	9' 7" e	8' 11" e	8' 11" e	8' 11" e
362S137-33	16	33	21' 11"	21' 11"	19' 8"	12' 8"	12' 8"	12' 8"	10' 11"	10' 11"	10' 11"	9' 10"	9' 10"	9' 10"	8' 11" e	8' 11" e	8' 11" e	8' 3" e	8' 3" e	8' 3" e	7' 9" e	7' 9" e	7' 9" e
362S137-33	24	33	17' 11"	17' 11"	17' 2"	10' 4"	10' 4"	10' 4"	8' 11" e	8' 11" e	8' 11" e	8' 0" e	8' 0" e	8' 0" e	7' 4" e	7' 4" e	7' 4" e	6' 9" e	6' 9" e	6' 9" e	6' 4" e	6' 4" e	6' 4" e
362S137-43	12	33	29' 8"	26' 11"	23' 6"	17' 1"	17' 1"	15' 6"	14' 10"	14' 10"	14' 1"	13' 3"	13' 3"	13' 1"	12' 1"	12' 1"	12' 1"	11' 2"	11' 2"	11' 2"	10' 6"	10' 6"	10' 6"
362S137-43	16	33	25' 8"	24' 5"	21' 4"	14' 10"	14' 10"	14' 1"	12' 10"	12' 10"	12' 9"	11' 6"	11' 6"	11' 6"	10' 6"	10' 6"	10' 6"	9' 8"	9' 8"	9' 8"	9' 1"	9' 1"	9' 1"
362S137-43	24	33	20' 11"	20' 11"	18' 8"	12' 1"	12' 1"	12' 1"	10' 6"	10' 6"	10' 6"	9' 4"	9' 4"	9' 4"	8' 7"	8' 7"	8' 7"	7' 11" e	7' 11" e	7' 11" e	7' 5" e	7' 5" e	7' 5" e
362S137-54	12	33	33' 5"	28' 10"	25' 2"	19' 3"	19' 3"	16' 7"	16' 8"	16' 8"	15' 1"	14' 11"	14' 11"	14' 0"	13' 8"	13' 8"	13' 2"	12' 8"	12' 8"	12' 6"	11' 10"	11' 10"	11' 10"
362S137-54	16	33	28' 11"	26' 2"	22' 10"	16' 8"	16' 8"	15' 1"	14' 6"	14' 6"	13' 8"	12' 11"	12' 11"	12' 8"	11' 10"	11' 10"	11' 10"	10' 11"	10' 11"	10' 11"	10' 3"	10' 3"	10' 3"
362S137-54	24	33	23' 8"	22' 10"	20' 0"	13' 8"	13' 8"	13' 2"	11' 10"	11' 10"	11' 10"	10' 7"	10' 7"	10' 7"	9' 8"	9' 8"	9' 8"	8' 11"	8' 11"	8' 11"	8' 4"	8' 4"	8' 4"
362S137-54	12	50	36' 3"	28' 10"	25' 2"	22' 6"	19' 8"	16' 7"	19' 11"	17' 10"	15' 1"	17' 10"	16' 7"	14' 0"	16' 3"	15' 7"	13' 2"	15' 1"	14' 10"	12' 6"	14' 1"	14' 1"	11' 11"
362S137-54	16	50	33' 0"	26' 2"	22' 10"	19' 11"	17' 10"	15' 1"	17' 3"	16' 3"	13' 8"	15' 5"	15' 1"	12' 8"	14' 1"	14' 1"	11' 11"	13' 0"	13' 0"	11' 4"	12' 2"	12' 2"	10' 10"
362S137-54	24	50	28' 2"	22' 10"	20' 0"	16' 3"	15' 7"	13' 2"	14' 1"	14' 1"	11' 11"	12' 7"	12' 7"	11' 1"	11' 6"	11' 6"	10' 5"	10' 8"	10' 8"	9' 11"	9' 11"	9' 11"	9' 6"
362S137-68	12	33	36' 11"	30' 9"	26' 11"	21' 4"	21' 0"	17' 9"	18' 5"	18' 5"	16' 1"	16' 6"	16' 6"	14' 11"	15' 1"	15' 1"	14' 1"	13' 11"	13' 11"	13' 4"	13' 1"	13' 1"	12' 9"
362S137-68	16	33	32' 0"	28' 0"	24' 5"	18' 5"	18' 5"	16' 1"	16' 0"	16' 0"	14' 7"	14' 4"	14' 4"	13' 7"	13' 1"	13' 1"	12' 9"	12' 1"	12' 1"	12' 1"	11' 4"	11' 4"	11' 4"
362S137-68	24	33	26' 1"	24' 5"	21' 4"	15' 1"	15' 1"	14' 1"	13' 1"	13' 1"	12' 9"	11' 8"	11' 8"	11' 8"	10' 8"	10' 8"	10' 8"	9' 10"	9' 10"	9' 10"	9' 3"	9' 3"	9' 3"
362S137-68	12	50	38' 9"	30' 9"	26' 11"	24' 0"	21' 0"	17' 9"	21' 10"	19' 1"	16' 1"	20' 3"	17' 9"	14' 11"	18' 7"	16' 8"	14' 1"	17' 2"	15' 10"	13' 4"	16' 1"	15' 2"	12' 9"
362S137-68	16	50	35' 3"	28' 0"	24' 5"	21' 10"	19' 1"	16' 1"	19' 8"	17' 4"	14' 7"	17' 7"	16' 1"	13' 7"	16' 1"	15' 2"	12' 9"	14' 10"	14' 5"	12' 2"	13' 11"	13' 9"	11' 7"
362S137-68	24	50	30' 9"	24' 5"	21' 4"	18' 7"	16' 8"	14' 1"	16' 1"	15' 2"	12' 9"	14' 4"	14' 1"	11' 10"	13' 1"	13' 1"	11' 2"	12' 2"	12' 2"	10' 7"	11' 4"	11' 4"	10' 2"
362S162-33	12	33	27' 1"	25' 11"	22' 8"	15' 8"	15' 8"	14' 11"	13' 7"	13' 7"	13' 7"	12' 1"	12' 1"	12' 1"	11' 1" e	11' 1" e	11' 1" e	10' 3" e	10' 3" e	10' 3" e	9' 7" e	9' 7" e	9' 7" e
362S162-33	16	33	23' 6"	23' 6"	20' 7"	13' 7"	13' 7"	13' 7"	11' 9"	11' 9"	11' 9"	10' 6" e	10' 6" e	10' 6" e	9' 7" e	9' 7" e	9' 7" e	8' 10" e	8' 10" e	8' 10" e	8' 4" e	8' 4" e	8' 4" e
362S162-33	24	33	19' 2"	19' 2"	18' 0"	11' 1" e	11' 1" e	11' 1" e	9' 7" e	9' 7" e	9' 7" e	8' 7" e	8' 7" e	8' 7" e	7' 10" e	7' 10" e	7' 10" e	7' 3" e	7' 3" e	7' 3" e	6' 9" e	6' 9" e	6' 9" e
362S162-43	12	33	31' 11"	28' 2"	24' 8"	18' 5"	18' 5"	16' 3"	15' 11"	15' 11"	14' 9"	14' 3"	14' 3"	13' 8"	13' 0"	13' 0"	12' 11"	12' 1"	12' 1"	12' 1"	11' 3"	11' 3"	11' 3"
362S162-43	16	33	27' 7"	25' 8"	22' 5"	15' 11"	15' 11"	14' 9"	13' 10"	13' 10"	13' 5"	12' 4"	12' 4"	12' 4"	11' 3"	11' 3"	11' 3"	10' 5"	10' 5"	10' 5"	9' 9"	9' 9"	9' 9"
362S162-43	24	33	22' 6"	22' 5"	19' 7"	13' 0"	13' 0"	12' 11"	13' 0"	11' 3"	11' 3"	10' 1"	10' 1"	10' 1"	9' 2"	9' 2"	9' 2"	8' 6" e	8' 6" e	8' 6" e	8' 0" e	8' 0" e	8' 0" e
362S162-54	12	33	35' 11"	30' 3"	26' 5"	20' 9"	20' 7"	17' 5"	17' 11"	17' 11"	15' 10"	16' 1"	16' 1"	14' 8"	14' 8"	14' 8"	13' 10"	13' 7"	13' 7"	13' 1"	12' 8"	12' 8"	12' 6"
362S162-54	16	33	31' 1"	27' 5"	24' 0"	17' 11"	17' 11"	15' 10"	15' 7"	15' 7"	14' 4"	13' 11"	13' 11"	13' 4"	12' 8"	12' 8"	12' 6"	11' 9"	11' 9"	11' 9"	11' 0"	11' 0"	11' 0"
362S162-54	24	33	25' 5"	24' 0"	20' 11"	14' 8"	14' 8"	13' 10"	12' 8"	12' 8"	12' 6"	11' 4"	11' 4"	11' 4"	10' 4"	10' 4"	10' 4"	9' 7"	9' 7"	9' 7"	9' 0"	9' 0"	9' 0"
362S162-54	12	50	38' 1"	30' 3"	26' 5"	23' 7"	20' 7"	17' 5"	21' 5"	18' 9"	15' 10"	19' 2"	17' 5"	14' 8"	17' 6"	16' 4"	13' 10"	16' 2"	15' 7"	13' 1"	15' 2"	14' 10"	12' 6"
362S162-54	16	50	34' 7"	27' 5"	24' 0"	21' 5"	18' 9"	15' 10"	18' 7"	17' 0"	14' 4"	16' 7"	15' 10"	13' 4"	15' 2"	14' 10"	12' 6"	14' 0"	14' 0"	11' 11"	13' 1"	13' 1"	11' 5"
362S162-54	24	50	30' 3"	24' 0"	20' 11"	17' 6"	16' 4"	13' 10"	15' 2"	14' 10"	12' 6"	13' 7"	13' 7"	11' 8"	12' 4"	1							



# Limiting Wall Heights - Curtain Wall 2-span



Stud Member	Spacing, in, oc	Fy, ksi	5 psf			15 psf			20 psf			25 psf			30 psf			35 psf			40 psf								
			L/120	L/240	L/360	L/240	L/360	L/600	L/240	L/360	L/600	L/240	L/360	L/600	L/240	L/360	L/600	L/240	L/360	L/600	L/240	L/360	L/600						
			362S200-43	12	33	34' 1"	29' 9"	26' 0"	19' 8"	19' 8"	17' 2"	17' 1"	17' 1"	15' 7"	15' 3"	15' 3"	14' 5"	13' 11"	13' 11"	13' 7"	12' 11"	12' 11"	12' 11"	12' 1"	12' 1"	12' 1"	10' 5" e	10' 5" e	10' 5" e

See Curtain Wall Limiting Heights Table Notes on page 35.

# Limiting Wall Heights - Curtain Wall 2-span



Stud Member	Spacing, in, oc	Fy, ksi	5 psf			15 psf			20 psf			25 psf			30 psf			35 psf			40 psf		
			L/120	L/240	L/360	L/240	L/360	L/600	L/240	L/360	L/600	L/240	L/360	L/600	L/240	L/360	L/600	L/240	L/360	L/600	L/240	L/360	L/600
362S300-97	12	50	52' 9"	41' 10"	36' 7"	32' 8"	28' 7"	24' 1"	29' 8"	25' 11"	21' 10"	27' 7"	24' 1"	20' 4"	25' 11"	22' 8"	19' 1"	24' 8"	21' 6"	18' 2"	23' 1"	20' 7"	17' 4"
362S300-97	16	50	47' 11"	38' 0"	33' 3"	29' 8"	25' 11"	21' 10"	27' 0"	23' 7"	19' 10"	25' 0"	21' 10"	18' 5"	23' 1"	20' 7"	17' 4"	21' 1"	19' 7"	16' 6"	19' 6"	18' 8"	15' 9"
362S300-97	24	50	41' 10"	33' 3"	29' 0"	25' 11"	22' 8"	19' 1"	23' 1"	20' 7"	17' 4"	20' 3"	19' 1"	16' 1"	18' 2"	18' 0"	15' 2"	16' 6"	16' 6"	14' 5"	15' 1"	15' 1"	13' 9"
400S137-33	12	33	26' 9"	26' 9"	23' 4"	15' 5"	15' 5"	15' 4"	13' 5"	13' 5"	13' 5"	12' 0"	12' 0"	12' 0"	10' 11"e	10' 11"e	10' 11"e	10' 11"e	10' 11"e	10' 11"e	9' 6"e	9' 6"e	9' 6"e
400S137-33	16	33	23' 2"	23' 2"	21' 2"	13' 5"	13' 5"	13' 5"	11' 7"	11' 7"	11' 7"	10' 4"e	10' 4"e	10' 4"e	9' 6"e	9' 6"e	9' 6"e	8' 9"e	8' 9"e	8' 9"e	8' 2"e	8' 2"e	8' 2"e
400S137-33	24	33	18' 11"	18' 11"	18' 6"	10' 11"e	10' 11"e	10' 11"e	9' 6"e	9' 6"e	9' 6"e	8' 6"e	8' 6"e	8' 6"e	7' 9"e	7' 9"e	7' 9"e	7' 2"e	7' 2"e	7' 2"e	6' 8"e	6' 8"e	6' 8"e
400S137-43	12	33	31' 6"	29' 1"	25' 5"	18' 2"	18' 2"	16' 9"	15' 9"	15' 9"	15' 2"	14' 1"	14' 1"	14' 1"	12' 10"	12' 10"	12' 10"	11' 11"	11' 11"	11' 11"	11' 2"	11' 2"	11' 2"
400S137-43	16	33	27' 3"	26' 5"	23' 1"	15' 9"	15' 9"	15' 2"	13' 8"	13' 8"	13' 8"	12' 2"	12' 2"	12' 2"	11' 2"	11' 2"	11' 2"	10' 4"	10' 4"	10' 4"	9' 8"	9' 8"	9' 8"
400S137-43	24	33	22' 3"	22' 3"	20' 2"	12' 10"	12' 10"	12' 10"	11' 2"	11' 2"	11' 2"	10' 0"	10' 0"	10' 0"	9' 1"	9' 1"	9' 1"	8' 5"e	8' 5"e	8' 5"e	7' 10"e	7' 10"e	7' 10"e
400S137-54	12	33	35' 3"	31' 1"	27' 2"	20' 4"	20' 4"	17' 11"	17' 8"	17' 8"	16' 3"	15' 9"	15' 9"	15' 1"	14' 5"	14' 5"	14' 3"	13' 4"	13' 4"	13' 4"	12' 6"	12' 6"	12' 6"
400S137-54	16	33	30' 7"	28' 3"	24' 8"	17' 8"	17' 8"	16' 3"	15' 3"	15' 3"	14' 9"	13' 8"	13' 8"	13' 8"	12' 6"	12' 6"	12' 6"	11' 7"	11' 7"	11' 7"	10' 10"	10' 10"	10' 10"
400S137-54	24	33	24' 11"	24' 8"	21' 7"	14' 5"	14' 5"	14' 3"	12' 6"	12' 6"	12' 6"	11' 2"	11' 2"	11' 2"	10' 2"	10' 2"	10' 2"	9' 5"	9' 5"	9' 5"	8' 10"	8' 10"	8' 10"
400S137-54	12	50	39' 2"	31' 1"	27' 2"	24' 4"	21' 3"	17' 11"	21' 2"	19' 3"	16' 3"	18' 11"	17' 11"	15' 1"	17' 3"	16' 10"	14' 3"	16' 0"	16' 0"	13' 6"	15' 0"	15' 0"	12' 11"
400S137-54	16	50	35' 7"	28' 3"	24' 8"	21' 2"	19' 3"	16' 3"	18' 4"	17' 6"	14' 9"	16' 5"	16' 3"	13' 9"	15' 0"	15' 0"	12' 11"	13' 10"	13' 10"	12' 3"	13' 0"	13' 0"	11' 9"
400S137-54	24	50	29' 11"	24' 8"	21' 7"	17' 3"	16' 10"	14' 3"	15' 0"	15' 0"	12' 11"	13' 5"	13' 5"	12' 0"	12' 3"	12' 3"	11' 3"	11' 4"	11' 4"	10' 9"	10' 7"	10' 7"	10' 3"
400S137-68	12	33	39' 6"	33' 3"	29' 1"	22' 10"	22' 8"	19' 2"	19' 9"	19' 9"	17' 5"	17' 8"	17' 8"	16' 2"	16' 1"	16' 1"	15' 2"	14' 11"	14' 11"	14' 5"	14' 0"	14' 0"	13' 10"
400S137-68	16	33	34' 2"	30' 3"	26' 5"	19' 9"	19' 9"	17' 5"	17' 1"	17' 1"	15' 10"	15' 4"	15' 4"	14' 8"	14' 0"	14' 0"	13' 10"	12' 11"	12' 11"	12' 11"	12' 1"	12' 1"	12' 1"
400S137-68	24	33	27' 11"	26' 5"	23' 1"	16' 1"	16' 1"	15' 2"	14' 0"	14' 0"	13' 10"	12' 6"	12' 6"	12' 6"	11' 5"	11' 5"	11' 5"	10' 7"	10' 7"	10' 7"	9' 10"	9' 10"	9' 10"
400S137-68	12	50	41' 11"	33' 3"	29' 1"	26' 0"	22' 8"	19' 2"	23' 7"	20' 7"	17' 5"	21' 6"	19' 2"	16' 2"	19' 8"	18' 0"	15' 2"	18' 2"	17' 1"	14' 5"	17' 0"	16' 4"	13' 10"
400S137-68	16	50	38' 1"	30' 3"	26' 5"	23' 7"	20' 7"	17' 5"	20' 10"	18' 9"	15' 10"	18' 8"	17' 5"	14' 8"	17' 0"	16' 4"	13' 10"	15' 9"	15' 7"	13' 1"	14' 9"	14' 9"	12' 7"
400S137-68	24	50	33' 3"	26' 5"	23' 1"	19' 8"	18' 0"	15' 2"	17' 0"	16' 4"	13' 10"	15' 3"	15' 2"	12' 10"	13' 11"	13' 11"	12' 1"	12' 10"	12' 10"	11' 5"	12' 0"	12' 0"	10' 11"
400S162-33	12	33	28' 8"	28' 0"	24' 5"	16' 7"	16' 7"	16' 1"	14' 4"	14' 4"	14' 4"	12' 10"	12' 10"	12' 10"	11' 8"e	11' 8"e	11' 8"e	10' 10"e	10' 10"e	10' 10"e	10' 2"e	10' 2"e	10' 2"e
400S162-33	16	33	24' 10"	24' 10"	22' 2"	14' 4"	14' 4"	14' 4"	12' 5"e	12' 5"e	12' 5"e	11' 1"e	11' 1"e	11' 1"e	10' 2"e	10' 2"e	10' 2"e	9' 5"e	9' 5"e	9' 5"e	8' 9"e	8' 9"e	8' 9"e
400S162-33	24	33	20' 3"	20' 3"	19' 5"	11' 8"e	11' 8"e	11' 8"e	10' 2"e	10' 2"e	10' 2"e	9' 1"e	9' 1"e	9' 1"e	8' 3"e	8' 3"e	8' 3"e	7' 8"e	7' 8"e	7' 8"e	7' 2"e	7' 2"e	7' 2"e
400S162-43	12	33	33' 10"	30' 5"	26' 7"	19' 7"	19' 7"	17' 6"	16' 11"	16' 11"	15' 11"	15' 2"	15' 2"	14' 9"	13' 10"	13' 10"	13' 10"	12' 10"	12' 10"	12' 10"	12' 0"	12' 0"	12' 0"
400S162-43	16	33	29' 4"	27' 8"	24' 2"	16' 11"	16' 11"	15' 11"	14' 8"	14' 8"	14' 5"	13' 1"	13' 1"	13' 1"	12' 0"	12' 0"	12' 0"	11' 1"	11' 1"	11' 1"	10' 4"e	10' 4"e	10' 4"e
400S162-43	24	33	23' 11"	23' 11"	21' 1"	13' 10"	13' 10"	13' 10"	12' 0"	12' 0"	12' 0"	10' 8"	10' 8"	10' 8"	9' 9"e	9' 9"e	9' 9"e	9' 1"e	9' 1"e	9' 1"e	8' 6"e	8' 6"e	8' 6"e
400S162-54	12	33	37' 11"	32' 7"	28' 6"	21' 11"	21' 11"	18' 9"	19' 0"	19' 0"	17' 1"	17' 0"	17' 0"	15' 10"	15' 6"	15' 6"	14' 5"	14' 4"	14' 4"	14' 2"	13' 5"	13' 5"	13' 5"
400S162-54	16	33	32' 10"	29' 8"	25' 11"	19' 0"	19' 0"	17' 1"	16' 5"	16' 5"	15' 6"	14' 8"	14' 8"	14' 5"	13' 5"	13' 5"	13' 5"	12' 5"	12' 5"	12' 5"	11' 7"	11' 7"	11' 7"
400S162-54	24	33	26' 10"	25' 11"	22' 7"	15' 6"	15' 6"	14' 11"	13' 5"	13' 5"	13' 5"	12' 0"	12' 0"	12' 0"	10' 11"	10' 11"	10' 11"	10' 2"	10' 2"	10' 2"	9' 6"	9' 6"	9' 6"
400S162-54	12	50	41' 1"	32' 7"	28' 6"	25' 6"	22' 3"	18' 9"	22' 9"	20' 3"	17' 1"	20' 4"	18' 9"	15' 10"	18' 7"	17' 8"	14' 11"	17' 2"	16' 9"	14' 2"	16' 1"	16' 1"	13' 6"
400S162-54	16	50	37' 4"	29' 8"	25' 11"	22' 9"	20' 3"	17' 1"	19' 8"	18' 4"	15' 6"	17' 7"	17' 1"	14' 5"	16' 1"	16' 1"	13' 6"	14' 11"	14' 11"	12' 10"	13' 11"	13' 11"	12' 4"
400S162-54	24	50	32' 2"	25' 11"	22' 7"	18' 7"	17' 8"	14' 11"	16' 1"	16' 1"	13' 6"	14' 4"	14' 4"	12' 7"	13' 1"	13' 1"	11' 10"	12' 12"	12' 2"	11' 3"	11' 4"	11' 4"	10' 9"
400S162-68	12	33	42' 5"	34' 11"	30' 6"	24' 6"	23' 10"	20' 1"	21' 3"	21' 3"	18' 3"	19' 0"	19' 0"	16' 11"	17' 4"	17' 4"	15' 11"	16' 1"	16' 1"	15' 2"	15' 0"	15' 0"	14' 6"
400S162-68	16	33	36' 9"	31' 9"	27' 9"	21' 3"	21' 3"	18' 3"	18' 5"	18' 5"	16' 7"	16' 5"	16' 5"	15' 5"	15' 0"	15' 0"	14' 6"	13' 11"	13' 11"	13' 9"	13' 0"	13' 0"	13' 0"
400S162-68	24	33	30' 0"	27' 9"	24' 2"	17' 4"	17' 4"	15' 11"	15' 0"	15' 0"	14' 6"	13' 5"	13' 5"	13' 5"	12' 3"	12' 3"	12' 3"	11' 4"	11' 4"	11' 4"	10' 7"	10' 7"	10' 7"
400S162-68	12	50	44' 0"	34' 11"	30' 6"	27' 3"	23' 10"	20' 1"	24' 9"	21' 8"	18' 3"	23' 0"	20' 1"	16' 11"	17' 4"	17' 11"	15' 11"	17' 4"	17' 11"	15' 2"	18' 4"	17' 2"	14' 6"
400S162-68	16	50	40' 0"	31' 9"	27' 9"	24' 9"	21' 8"	18' 3"	22' 5"	19' 8"	16' 7"	20' 1"	18' 3"	15' 5"	18' 4"	17' 2"	14' 6"	16' 11"	16' 4"	13' 9"	15' 10"	15' 7"	13' 2"
400S162-68	24	50	34' 11"	27' 9"	24' 2"	21' 2"	18' 11"	15' 11"	18' 4"	17' 2"	14' 6"	16' 5"	15' 11"	13' 5"	14' 11"	14' 11"	12' 8"	13' 10"	13' 10"	12' 0"	12' 11"	12' 11"	11' 6"
400S162-97	12	33	48' 7"	38' 7"	33' 8"	28' 5"	26' 4"	22' 2"	24' 8"	23' 11"	20' 2"	22' 0"	22' 0"	18' 9"	20' 1"	20' 1"	17' 7"	18' 7"	18' 7"	16' 9"	17' 5"	17' 5"	16' 0"
400S162-97	16	33	42' 8"	35' 0"	30' 7"	24' 8"	23' 11"	20' 2"	21' 4"	21' 4"	18' 4"	19' 1"	19' 1"	17' 0"	17' 5"	17' 5"	16' 0"	16' 1"	16' 1"	15' 2"	15' 1"	15' 1"	14' 6"
400S162-97	24	33	34' 10"	30' 7"	26' 9"	20' 1"	20' 1"	17' 7"	17' 5"	17' 5"	16' 0"	15' 7"	15' 7"	14' 10"	14' 3"	14' 3"	14' 0"	13' 2"	13' 2"	13' 2"	12' 4"	12' 4"	12' 4"
400S162-97	12	50	48' 7"	38' 7"	33' 8"	30' 1"	26' 4"	22' 2"	27' 4"	23' 11"	20' 2"	25' 5"	22' 2"	18' 9"	23' 11"	20' 11"	17' 7"	22' 8"	19' 10"	16' 9"	21' 5"	19' 0"	16' 0"
400S162-97	16	50	44' 2"	35' 0"	30' 7"	27' 4"	23' 11"	20' 2"	24' 10"	21' 9"	18' 4"	23' 1"	20' 2"	17' 0"	21' 5"	19' 0"	16' 0"	19' 10"	18' 0"	15' 2"	18' 7"	17' 3"	14' 6"
400S162-97	24	50	38' 7"	30' 7"	26' 9"	23' 11"	20' 11"	17' 7"	21' 5"	19' 0"	16' 0"	19' 2"	17' 7"	14' 10"	17' 6"	16' 7"	14' 0"	16' 2"	15' 9"	13' 3"	15' 2"	15' 1"	12' 8"
400S200-33	12	33	30' 1"	29' 5"	25' 8"	17' 4"	17' 4"	16' 11"	15' 0"	15' 0"	15' 0"	13' 5"e	13' 5"e	13' 5"e	12' 3"e	12' 3"e	12' 3"e	11' 4"e	11' 4"e	11' 4"e	10' 8"e	10' 8"e	10' 8"e
400S200-33	16	33	26' 1"	26' 1"	23' 4"	15' 0"	15' 0"	15' 0"	13' 0"e	13' 0"e	13' 0"e	11' 8"e	11' 8"e	11' 8"e	10' 8"e	10' 8"e	10' 8"e	9' 10"e	9' 10"e	9' 10"e	9' 2"e	9' 2"e	9' 2"e
400S200-33	24	33	21' 3"	21' 3"	20' 5"	12' 3"e	12' 3"																

# Limiting Wall Heights - Curtain Wall 2-span



Stud Member	Spacing, in, oc	Fy, ksi	5 psf			15 psf			20 psf			25 psf			30 psf			35 psf			40 psf		
			L/120	L/240	L/360	L/240	L/360	L/600	L/240	L/360	L/600	L/240	L/360	L/600	L/240	L/360	L/600	L/240	L/360	L/600	L/240	L/360	L/600
400S200-97	12	50	51' 6"	40' 10"	35' 8"	31' 11"	27' 10"	23' 6"	29' 0"	25' 4"	21' 4"	26' 11"	23' 6"	19' 10"	25' 4"	22' 1"	18' 8"	24' 1"	21' 0"	17' 9"	23' 0"	20' 1"	16' 11"
400S200-97	16	50	46' 9"	37' 1"	32' 5"	29' 0"	25' 4"	21' 4"	26' 4"	23' 0"	19' 5"	24' 5"	21' 4"	18' 0"	23' 0"	20' 1"	16' 11"	21' 8"	19' 1"	16' 1"	20' 3"	18' 3"	15' 5"
400S200-97	24	50	40' 10"	32' 5"	28' 4"	25' 4"	22' 1"	18' 8"	23' 0"	20' 1"	16' 11"	20' 11"	18' 8"	15' 9"	19' 1"	17' 7"	14' 10"	17' 8"	16' 8"	14' 1"	16' 6"	15' 11"	13' 5"
400S250-33	12	33	31' 1"	30' 7"	26' 9"	17' 11"	17' 11"	17' 7"	15' 7"	15' 7"	15' 7"	13' 11"	13' 11"	13' 11"	12' 8"	12' 8"	12' 8"	11' 9"	11' 9"	11' 9"	11' 0"	11' 0"	11' 0"
400S250-33	16	33	26' 11"	26' 11"	24' 3"	15' 7"	15' 7"	15' 7"	13' 6"	13' 6"	13' 6"	12' 0"	12' 0"	12' 0"	11' 0"	11' 0"	11' 0"	10' 2"	10' 2"	10' 2"	9' 6"	9' 6"	9' 6"
400S250-33	24	33	22' 0"	22' 0"	21' 2"	12' 8"	12' 8"	12' 8"	11' 0"	11' 0"	11' 0"	9' 10"	9' 10"	9' 10"	9' 0"	9' 0"	9' 0"	8' 4"	8' 4"	8' 4"	7' 9"	7' 9"	7' 9"
400S250-43	12	33	37' 1"	33' 10"	29' 7"	21' 5"	21' 5"	19' 6"	18' 7"	18' 7"	17' 8"	16' 7"	16' 7"	16' 5"	15' 2"	15' 2"	15' 2"	14' 0"	14' 0"	14' 0"	13' 1"	13' 1"	13' 1"
400S250-43	16	33	32' 2"	30' 9"	26' 10"	18' 7"	18' 7"	17' 8"	16' 1"	16' 1"	16' 1"	14' 4"	14' 4"	14' 4"	13' 1"	13' 1"	13' 1"	12' 2"	12' 2"	12' 2"	11' 4"	11' 4"	11' 4"
400S250-43	24	33	26' 3"	26' 3"	23' 5"	15' 2"	15' 2"	15' 2"	13' 1"	13' 1"	13' 1"	11' 9"	11' 9"	11' 9"	10' 9"	10' 9"	10' 9"	9' 11"	9' 11"	9' 11"	9' 3"	9' 3"	9' 3"
400S250-54	12	33	42' 2"	36' 4"	31' 8"	24' 4"	24' 4"	20' 11"	21' 1"	21' 1"	19' 0"	18' 10"	18' 10"	17' 7"	17' 3"	17' 3"	16' 7"	15' 11"	15' 11"	15' 9"	14' 11"	14' 11"	14' 11"
400S250-54	16	33	36' 7"	33' 0"	28' 10"	21' 1"	21' 1"	19' 0"	18' 3"	18' 3"	17' 3"	16' 4"	16' 4"	16' 0"	14' 11"	14' 11"	14' 11"	13' 10"	13' 10"	13' 10"	12' 11"	12' 11"	12' 11"
400S250-54	24	33	29' 10"	28' 10"	25' 2"	17' 3"	17' 3"	16' 7"	14' 11"	14' 11"	14' 11"	13' 4"	13' 4"	13' 4"	12' 2"	12' 2"	12' 2"	11' 3"	11' 3"	11' 3"	10' 7"	10' 7"	10' 7"
400S250-54	12	50	45' 7"	36' 2"	31' 7"	28' 3"	24' 8"	20' 10"	24' 5"	22' 5"	18' 11"	21' 10"	20' 10"	17' 7"	20' 0"	19' 7"	16' 6"	18' 6"	18' 6"	15' 8"	17' 3"	17' 3"	15' 0"
400S250-54	16	50	41' 5"	32' 10"	28' 8"	24' 5"	22' 5"	18' 11"	21' 2"	20' 4"	17' 2"	18' 11"	18' 11"	15' 11"	17' 3"	17' 3"	15' 0"	16' 0"	16' 0"	14' 3"	15' 0"	15' 0"	13' 8"
400S250-54	24	50	34' 7"	28' 8"	25' 1"	20' 0"	19' 7"	16' 6"	17' 3"	17' 3"	15' 0"	15' 6"	15' 6"	13' 11"	14' 1"	14' 1"	13' 1"	13' 1"	13' 1"	12' 5"	12' 3"	12' 3"	11' 11"
400S250-68	12	33	49' 0"	38' 11"	34' 0"	28' 10"	26' 7"	22' 5"	25' 0"	24' 1"	20' 4"	22' 4"	22' 4"	18' 11"	20' 5"	20' 5"	17' 9"	18' 11"	18' 11"	16' 11"	17' 8"	17' 8"	16' 2"
400S250-68	16	33	43' 3"	35' 4"	30' 11"	25' 0"	24' 1"	20' 4"	21' 8"	21' 8"	18' 6"	19' 4"	19' 4"	17' 2"	17' 8"	17' 8"	16' 2"	16' 4"	16' 4"	15' 4"	15' 4"	15' 4"	14' 8"
400S250-68	24	33	35' 4"	30' 11"	27' 0"	20' 5"	20' 5"	17' 9"	17' 8"	17' 8"	16' 2"	15' 10"	15' 10"	15' 0"	14' 5"	14' 5"	14' 1"	13' 4"	13' 4"	13' 4"	12' 6"	12' 6"	12' 6"
400S250-68	12	50	49' 0"	38' 11"	34' 0"	30' 5"	26' 7"	22' 5"	27' 7"	24' 1"	20' 4"	25' 3"	22' 5"	18' 11"	23' 1"	21' 1"	17' 9"	21' 4"	20' 0"	16' 11"	20' 0"	19' 2"	16' 2"
400S250-68	16	50	44' 7"	35' 4"	30' 11"	27' 7"	24' 1"	20' 4"	24' 6"	21' 11"	18' 6"	21' 11"	20' 4"	17' 2"	20' 0"	19' 2"	16' 2"	18' 6"	18' 2"	15' 4"	17' 4"	17' 4"	14' 8"
400S250-68	24	50	38' 11"	30' 11"	27' 0"	23' 1"	21' 1"	17' 9"	20' 0"	19' 2"	16' 2"	17' 11"	17' 9"	15' 0"	16' 4"	16' 4"	14' 1"	15' 1"	15' 1"	13' 5"	14' 2"	14' 2"	12' 10"
400S250-97	12	33	54' 4"	43' 2"	37' 8"	33' 8"	29' 5"	24' 10"	29' 2"	26' 9"	22' 7"	26' 1"	24' 10"	20' 11"	23' 10"	23' 4"	19' 8"	22' 1"	22' 1"	18' 9"	20' 7"	20' 7"	17' 11"
400S250-97	16	33	49' 5"	39' 3"	34' 3"	29' 2"	26' 9"	22' 7"	25' 3"	24' 4"	20' 6"	22' 7"	22' 7"	19' 0"	20' 7"	20' 7"	17' 11"	19' 1"	19' 1"	17' 0"	17' 10"	17' 10"	16' 3"
400S250-97	24	33	41' 3"	34' 3"	29' 11"	23' 10"	23' 4"	19' 8"	20' 7"	20' 7"	17' 11"	18' 5"	18' 5"	16' 7"	16' 8"	16' 8"	15' 8"	15' 1"	15' 1"	14' 10"	13' 10"	13' 10"	13' 10"
400S250-97	12	50	54' 4"	43' 2"	37' 8"	33' 8"	29' 5"	24' 10"	30' 7"	26' 9"	22' 7"	28' 5"	24' 10"	20' 11"	26' 9"	23' 4"	19' 8"	25' 5"	22' 2"	18' 9"	24' 4"	21' 3"	17' 11"
400S250-97	16	50	49' 5"	39' 3"	34' 3"	30' 7"	26' 9"	22' 7"	27' 10"	24' 4"	20' 6"	25' 10"	22' 7"	19' 0"	24' 4"	21' 3"	17' 11"	23' 1"	20' 2"	17' 0"	22' 0"	19' 3"	16' 3"
400S250-97	24	50	43' 2"	34' 3"	29' 11"	26' 9"	23' 4"	19' 8"	24' 4"	21' 3"	17' 11"	22' 7"	19' 8"	16' 7"	20' 9"	18' 7"	15' 8"	19' 1"	17' 7"	14' 10"	17' 7"	16' 10"	14' 3"
400S300-33	12	33	31' 8"	31' 6"	27' 6"	18' 4"	18' 4"	18' 2"	15' 10"	15' 10"	15' 10"	14' 2"	14' 2"	14' 2"	12' 11"	12' 11"	12' 11"	12' 0"	12' 0"	12' 0"	11' 2"	11' 2"	11' 2"
400S300-33	16	33	27' 5"	27' 5"	25' 0"	15' 10"	15' 10"	15' 10"	13' 9"	13' 9"	13' 9"	12' 3"	12' 3"	12' 3"	11' 2"	11' 2"	11' 2"	10' 4"	10' 4"	10' 4"	9' 8"	9' 8"	9' 8"
400S300-33	24	33	22' 5"	22' 5"	21' 10"	12' 11"	12' 11"	12' 11"	11' 2"	11' 2"	11' 2"	10' 0"	10' 0"	10' 0"	9' 2"	9' 2"	9' 2"	8' 6"	8' 6"	8' 6"	7' 11"	7' 11"	7' 11"
400S300-43	12	33	37' 6"	35' 0"	30' 7"	21' 8"	21' 8"	20' 2"	18' 9"	18' 9"	18' 3"	16' 9"	16' 9"	16' 9"	15' 4"	15' 4"	15' 4"	14' 2"	14' 2"	14' 2"	13' 3"	13' 3"	13' 3"
400S300-43	16	33	32' 6"	31' 9"	27' 9"	18' 9"	18' 9"	18' 3"	16' 3"	16' 3"	16' 3"	14' 6"	14' 6"	14' 6"	13' 3"	13' 3"	13' 3"	12' 3"	12' 3"	12' 3"	11' 6"	11' 6"	11' 6"
400S300-43	24	33	26' 6"	26' 6"	24' 3"	15' 4"	15' 4"	15' 4"	13' 3"	13' 3"	13' 3"	11' 10"	11' 10"	11' 10"	10' 10"	10' 10"	10' 10"	10' 0"	10' 0"	10' 0"	9' 4"	9' 4"	9' 4"
400S300-54	12	33	43' 1"	37' 10"	33' 1"	24' 10"	24' 10"	21' 9"	21' 6"	21' 6"	19' 10"	19' 3"	19' 3"	18' 4"	17' 7"	17' 7"	17' 3"	16' 3"	16' 3"	16' 3"	15' 3"	15' 3"	15' 3"
400S300-54	16	33	37' 3"	34' 5"	30' 1"	21' 6"	21' 6"	19' 10"	18' 8"	18' 8"	18' 0"	16' 8"	16' 8"	16' 8"	15' 3"	15' 3"	15' 3"	14' 1"	14' 1"	14' 1"	13' 2"	13' 2"	13' 2"
400S300-54	24	33	30' 5"	30' 1"	26' 3"	17' 7"	17' 7"	17' 3"	15' 3"	15' 3"	15' 3"	13' 7"	13' 7"	13' 7"	12' 5"	12' 5"	12' 5"	11' 6"	11' 6"	11' 6"	10' 9"	10' 9"	10' 9"
400S300-54	12	50	46' 9"	37' 1"	32' 5"	28' 7"	25' 3"	21' 4"	24' 9"	23' 0"	19' 5"	22' 2"	21' 4"	18' 0"	20' 3"	20' 1"	16' 11"	18' 9"	18' 9"	16' 1"	17' 6"	17' 6"	15' 5"
400S300-54	16	50	42' 5"	33' 8"	29' 5"	24' 9"	23' 0"	19' 5"	21' 5"	20' 11"	17' 5"	19' 2"	19' 2"	16' 4"	17' 6"	17' 6"	15' 5"	16' 3"	16' 3"	14' 7"	15' 2"	15' 2"	14' 0"
400S300-54	24	50	35' 0"	29' 5"	25' 8"	20' 3"	20' 1"	16' 11"	17' 6"	17' 6"	15' 5"	15' 8"	15' 8"	14' 3"	14' 4"	14' 4"	13' 5"	13' 3"	13' 3"	12' 9"	12' 5"	12' 5"	12' 3"
400S300-68	12	33	49' 8"	40' 9"	35' 7"	28' 8"	27' 9"	23' 5"	24' 10"	24' 10"	21' 4"	22' 2"	22' 2"	19' 9"	20' 3"	20' 3"	18' 7"	18' 9"	18' 9"	17' 8"	17' 7"	17' 7"	16' 11"
400S300-68	16	33	43' 0"	37' 0"	32' 4"	24' 10"	24' 10"	21' 4"	21' 6"	21' 6"	19' 4"	19' 3"	19' 3"	18' 0"	17' 7"	17' 7"	16' 11"	16' 3"	16' 3"	16' 1"	15' 2"	15' 2"	15' 2"
400S300-68	24	33	35' 1"	32' 4"	28' 3"	20' 3"	20' 3"	18' 7"	17' 7"	17' 7"	16' 11"	15' 8"	15' 8"	15' 8"	14' 4"	14' 4"	14' 4"	13' 3"	13' 3"	13' 3"	12' 5"	12' 5"	12' 5"
400S300-68	12	50	51' 0"	40' 5"	35' 4"	31' 7"	27' 7"	23' 3"	28' 8"	25' 1"	21' 2"	25' 9"	23' 3"	19' 8"	23' 6"	21' 11"	18' 6"	21' 9"	20' 10"	17' 7"	20' 4"	19' 11"	16' 9"
400S300-68	16	50	46' 4"	36' 9"	32' 1"	28' 8"	25' 1"	21' 2"	24' 11"	22' 9"	19' 3"	22' 4"	21' 2"	17' 10"	20' 4"	19' 11"	16' 9"	18' 10"	18' 10"	15' 11"	17' 8"	17' 8"	15' 3"
400S300-68	24	50	40' 5"	32' 1"	28' 1"	23' 6"	21' 11"	18' 6"	20' 4"	19' 11"	16' 9"	18' 3"	18' 3"	15' 7"	16' 8"	16' 8"	14' 8"	15' 5"	15' 5"	13' 11"	14' 5"	14' 5"	13' 4"
400S300-97	12	33	57' 0"	45' 3"	39' 6"	35' 4"	30' 10"	26' 0"	31' 4"	28' 0"	23' 8"	28' 0"	26' 0"	21' 11"	25' 7"	24' 6"	20' 8"	23' 5"	23' 5"	19' 7"	21' 9"	21' 9"	18' 9"
400S300-97	16	33	51' 9"	41' 1"	35' 11"	31' 4"	28' 0"	23' 8"	27' 1"	25' 6"	21' 6"	24' 1"	23' 8"	19' 11"	21' 9"	21' 9"	18' 9"	19' 10"	19' 10"	17' 10"	18' 4"	18' 4"	17' 1"
400S300-97	24	33	44' 3"	35' 11"	31' 4"	25' 7"	24' 6"	20' 8"	21' 9"	21' 9"	18' 9"	19' 0"	19' 0"	17' 5"	17' 0"	17' 0"	16' 5"	15' 5"	15' 5"	15' 5"	14' 2"	14' 2"	14' 2"
400S300-97	12	50	56' 9"	45' 1"</																			

# Limiting Wall Heights - Curtain Wall 2-span



Stud Member	Spacing, in, oc	Fy, ksi	5 psf			15 psf			20 psf			25 psf			30 psf			35 psf			40 psf		
			L/120	L/240	L/360	L/240	L/360	L/600	L/240	L/360	L/600	L/240	L/360	L/600	L/240	L/360	L/600	L/240	L/360	L/600	L/240	L/360	L/600
550S162-68	12	50	56' 7"	44' 11"	39' 3"	35' 1"	30' 7"	25' 10"	31' 8"	27' 10"	23' 6"	28' 4"	25' 10"	21' 9"	25' 10"	24' 4"	20' 6"	23' 11"	23' 1"	19' 6"	22' 5"	22' 1"	18' 8"
550S162-68	16	50	51' 5"	40' 9"	35' 8"	31' 8"	27' 10"	23' 6"	27' 5"	25' 3"	21' 4"	24' 6"	23' 6"	19' 10"	22' 5"	22' 1"	18' 8"	20' 9"	20' 9"	17' 8"	19' 5"	19' 5"	16' 11"
550S162-68	24	50	44' 9"	35' 8"	31' 2"	25' 10"	24' 4"	20' 6"	22' 5"	22' 1"	18' 8"	20' 0"	20' 0"	17' 3"	18' 3"	18' 3"	16' 3"	16' 11"	16' 11"	15' 5"	15' 10"	15' 10"	14' 9"
550S162-97	12	33	61' 6"	49' 9"	43' 5"	35' 6"	33' 11"	28' 7"	30' 9"	30' 9"	26' 0"	27' 6"	27' 6"	24' 2"	25' 1"	25' 1"	22' 8"	23' 3"	23' 3"	21' 7"	21' 9"	21' 9"	20' 8"
550S162-97	16	33	53' 3"	45' 2"	39' 6"	30' 9"	30' 9"	26' 0"	26' 8"	26' 8"	23' 7"	23' 10"	23' 10"	21' 11"	21' 9"	21' 9"	20' 8"	20' 2"	20' 2"	19' 7"	18' 10"	18' 10"	18' 9"
550S162-97	24	33	43' 6"	39' 6"	34' 6"	25' 1"	25' 1"	22' 8"	21' 9"	21' 9"	20' 8"	19' 5"	19' 5"	19' 2"	17' 9"	17' 9"	17' 9"	16' 5"	16' 5"	16' 5"	15' 5"	15' 5"	15' 5"
550S162-97	12	50	62' 8"	49' 9"	43' 5"	38' 10"	33' 11"	28' 7"	35' 3"	30' 10"	26' 0"	32' 9"	28' 7"	24' 2"	30' 10"	26' 11"	22' 8"	28' 7"	25' 7"	21' 7"	26' 9"	24' 5"	20' 8"
550S162-97	16	50	56' 11"	45' 2"	39' 6"	35' 3"	30' 10"	26' 0"	32' 1"	28' 0"	23' 7"	29' 4"	26' 0"	21' 11"	26' 9"	24' 5"	20' 8"	24' 9"	23' 3"	19' 7"	23' 2"	22' 3"	18' 9"
550S162-97	24	50	49' 9"	39' 6"	34' 6"	30' 10"	26' 11"	22' 8"	26' 9"	24' 5"	20' 8"	23' 11"	22' 8"	19' 2"	21' 10"	21' 4"	18' 0"	20' 3"	20' 3"	17' 1"	18' 11"	18' 11"	16' 4"
550S200-33	12	33	36' 5"	36' 5"	35' 0"	21' 0"	21' 0"	21' 0"	18' 3"	18' 3"	18' 3"	16' 4"	16' 4"	16' 4"	14' 10"	14' 10"	14' 10"	13' 9"	13' 9"	13' 9"	12' 11"	12' 11"	12' 11"
550S200-33	16	33	31' 7"	31' 7"	31' 7"	18' 3"	18' 3"	18' 3"	15' 9"	15' 9"	15' 9"	14' 1"	14' 1"	14' 1"	12' 11"	12' 11"	12' 11"	11' 11"	11' 11"	11' 11"	11' 2"	11' 2"	11' 2"
550S200-33	24	33	25' 9"	25' 9"	25' 9"	14' 10"	14' 10"	14' 10"	12' 11"	12' 11"	12' 11"	11' 6"	11' 6"	11' 6"	10' 6"	10' 6"	10' 6"	9' 9"	9' 9"	9' 9"	9' 1"	9' 1"	9' 1"
550S200-43	12	33	43' 6"	43' 6"	38' 9"	25' 1"	25' 1"	25' 1"	21' 9"	21' 9"	21' 9"	19' 5"	19' 5"	19' 5"	17' 9"	17' 9"	17' 9"	16' 5"	16' 5"	16' 5"	15' 5"	15' 5"	15' 5"
550S200-43	16	33	37' 8"	37' 8"	35' 3"	21' 9"	21' 9"	21' 9"	18' 10"	18' 10"	18' 10"	16' 10"	16' 10"	16' 10"	15' 5"	15' 5"	15' 5"	14' 3"	14' 3"	14' 3"	13' 4"	13' 4"	13' 4"
550S200-43	24	33	30' 9"	30' 9"	30' 9"	17' 9"	17' 9"	17' 9"	15' 5"	15' 5"	15' 5"	13' 9"	13' 9"	13' 9"	12' 7"	12' 7"	12' 7"	11' 8"	11' 8"	11' 8"	10' 10"	10' 10"	10' 10"
550S200-54	12	33	50' 3"	48' 0"	42' 0"	29' 0"	29' 0"	27' 8"	25' 2"	25' 2"	25' 1"	22' 6"	22' 6"	22' 6"	20' 6"	20' 6"	20' 6"	19' 0"	19' 0"	19' 0"	17' 9"	17' 9"	17' 9"
550S200-54	16	33	43' 7"	43' 7"	38' 1"	25' 2"	25' 2"	25' 1"	21' 9"	21' 9"	21' 9"	19' 6"	19' 6"	19' 6"	17' 9"	17' 9"	17' 9"	16' 6"	16' 6"	16' 6"	15' 5"	15' 5"	15' 5"
550S200-54	24	33	35' 7"	35' 7"	33' 4"	20' 6"	20' 6"	20' 6"	17' 9"	17' 9"	17' 9"	15' 11"	15' 11"	15' 11"	14' 6"	14' 6"	14' 6"	13' 5"	13' 5"	13' 5"	12' 7"	12' 7"	12' 7"
550S200-54	12	50	58' 0"	47' 1"	41' 1"	33' 6"	32' 1"	27' 1"	29' 0"	29' 0"	24' 7"	25' 11"	25' 11"	22' 10"	23' 8"	23' 8"	21' 6"	21' 10"	21' 10"	20' 5"	20' 6"	20' 6"	19' 6"
550S200-54	16	50	50' 3"	42' 9"	37' 4"	29' 0"	29' 0"	24' 7"	25' 1"	25' 1"	22' 4"	22' 6"	22' 6"	20' 9"	20' 6"	20' 6"	19' 6"	19' 0"	19' 0"	18' 7"	17' 9"	17' 9"	17' 9"
550S200-54	24	50	41' 0"	37' 4"	32' 7"	23' 8"	23' 8"	21' 6"	20' 6"	20' 6"	19' 6"	18' 4"	18' 4"	18' 1"	16' 9"	16' 9"	16' 9"	15' 6"	15' 6"	15' 6"	14' 6"	14' 6"	14' 6"
550S200-68	12	33	57' 0"	51' 9"	45' 3"	32' 11"	32' 11"	29' 9"	28' 6"	28' 6"	27' 1"	25' 6"	25' 6"	25' 1"	23' 3"	23' 3"	23' 3"	21' 7"	21' 7"	21' 7"	20' 2"	20' 2"	20' 2"
550S200-68	16	33	49' 5"	47' 0"	41' 1"	28' 6"	28' 6"	27' 1"	24' 8"	24' 8"	24' 7"	22' 1"	22' 1"	22' 1"	20' 2"	20' 2"	20' 2"	18' 8"	18' 8"	18' 8"	17' 6"	17' 6"	17' 6"
550S200-68	24	33	40' 4"	40' 4"	35' 11"	23' 3"	23' 3"	23' 3"	20' 2"	20' 2"	20' 2"	18' 0"	18' 0"	18' 0"	16' 6"	16' 6"	16' 6"	15' 3"	15' 3"	15' 3"	14' 3"	14' 3"	14' 3"
550S200-68	12	50	64' 9"	51' 4"	44' 10"	38' 10"	35' 0"	29' 7"	33' 8"	31' 10"	26' 10"	30' 1"	29' 7"	24' 11"	27' 6"	27' 6"	23' 5"	25' 5"	25' 5"	22' 3"	23' 10"	23' 10"	21' 4"
550S200-68	16	50	58' 4"	46' 8"	40' 9"	33' 8"	31' 10"	26' 10"	29' 2"	28' 11"	24' 5"	26' 1"	26' 1"	22' 8"	23' 10"	23' 10"	21' 4"	22' 0"	22' 0"	20' 3"	20' 7"	20' 7"	19' 4"
550S200-68	24	50	47' 7"	40' 9"	35' 7"	27' 6"	27' 6"	23' 5"	23' 10"	23' 10"	21' 4"	21' 3"	21' 3"	19' 9"	19' 5"	19' 5"	18' 7"	18' 0"	18' 0"	17' 8"	16' 10"	16' 10"	16' 10"
550S200-97	12	33	66' 8"	57' 7"	50' 4"	38' 6"	38' 6"	33' 2"	33' 4"	33' 4"	30' 1"	29' 10"	29' 10"	27' 11"	27' 3"	27' 3"	26' 4"	25' 2"	25' 2"	25' 0"	23' 7"	23' 7"	23' 7"
550S200-97	16	33	57' 9"	52' 4"	45' 9"	33' 4"	33' 4"	30' 1"	28' 10"	28' 10"	27' 4"	25' 10"	25' 10"	25' 5"	23' 7"	23' 7"	23' 7"	21' 10"	21' 10"	21' 10"	20' 5"	20' 5"	20' 5"
550S200-97	24	33	47' 2"	45' 9"	39' 11"	27' 3"	27' 3"	26' 4"	23' 7"	23' 7"	23' 7"	21' 1"	21' 1"	21' 1"	19' 3"	19' 3"	19' 3"	17' 10"	17' 10"	17' 10"	16' 8"	16' 8"	16' 8"
550S200-97	12	50	72' 3"	57' 4"	50' 1"	44' 9"	39' 1"	33' 0"	40' 8"	35' 7"	30' 0"	36' 8"	33' 0"	27' 10"	33' 6"	31' 1"	26' 2"	31' 0"	29' 6"	24' 11"	29' 0"	28' 3"	23' 10"
550S200-97	16	50	65' 8"	52' 1"	45' 6"	40' 8"	35' 7"	30' 0"	35' 6"	32' 4"	27' 3"	31' 9"	30' 0"	25' 3"	29' 0"	28' 3"	23' 10"	26' 10"	26' 10"	22' 7"	25' 1"	25' 1"	21' 7"
550S200-97	24	50	57' 4"	45' 6"	39' 9"	33' 6"	31' 1"	26' 2"	29' 0"	28' 3"	23' 10"	25' 11"	25' 11"	22' 1"	23' 8"	23' 8"	20' 9"	21' 11"	21' 11"	19' 9"	20' 6"	20' 6"	18' 11"
600S137-33	12	33	33' 4"	33' 4"	31' 11"	19' 3"	19' 3"	19' 3"	16' 8"	16' 8"	16' 8"	14' 11"	14' 11"	14' 11"	13' 7"	13' 7"	13' 7"	12' 7"	12' 7"	12' 7"	11' 9"	11' 9"	11' 9"
600S137-33	16	33	28' 10"	28' 10"	28' 10"	16' 8"	16' 8"	16' 8"	14' 5"	14' 5"	14' 5"	12' 11"	12' 11"	12' 11"	11' 9"	11' 9"	11' 9"	10' 11"	10' 11"	10' 11"	10' 2"	10' 2"	10' 2"
600S137-33	24	33	23' 7"	23' 7"	23' 7"	13' 7"	13' 7"	13' 7"	11' 9"	11' 9"	11' 9"	10' 6"	10' 6"	10' 6"	9' 7"	9' 7"	9' 7"	8' 11"	8' 11"	8' 11"	8' 4"	8' 4"	8' 4"
600S137-43	12	33	40' 0"	40' 0"	35' 0"	23' 1"	23' 1"	23' 1"	20' 0"	20' 0"	20' 0"	17' 1"	17' 11"	17' 11"	16' 4"	16' 4"	16' 4"	15' 2"	15' 2"	15' 2"	14' 2"	14' 2"	14' 2"
600S137-43	16	33	34' 8"	34' 8"	31' 10"	20' 0"	20' 0"	20' 0"	17' 4"	17' 4"	17' 4"	15' 6"	15' 6"	15' 6"	14' 2"	14' 2"	14' 2"	13' 1"	13' 1"	13' 1"	12' 3"	12' 3"	12' 3"
600S137-43	24	33	28' 4"	28' 4"	27' 10"	16' 4"	16' 4"	16' 4"	14' 2"	14' 2"	14' 2"	12' 8"	12' 8"	12' 8"	11' 7"	11' 7"	11' 7"	10' 8"	10' 8"	10' 8"	10' 0"	10' 0"	10' 0"
600S137-54	12	33	46' 6"	43' 0"	37' 7"	26' 10"	26' 10"	24' 9"	23' 3"	23' 3"	22' 6"	20' 9"	20' 9"	20' 9"	19' 0"	19' 0"	19' 0"	17' 7"	17' 7"	17' 7"	16' 5"	16' 5"	16' 5"
600S137-54	16	33	40' 3"	39' 1"	34' 2"	23' 3"	23' 3"	22' 6"	20' 2"	20' 2"	20' 2"	18' 0"	18' 0"	18' 0"	16' 5"	16' 5"	16' 5"	15' 3"	15' 3"	15' 3"	14' 3"	14' 3"	14' 3"
600S137-54	24	33	32' 10"	32' 10"	29' 10"	19' 0"	19' 0"	19' 0"	16' 5"	16' 5"	16' 5"	14' 8"	14' 8"	14' 8"	13' 5"	13' 5"	13' 5"	12' 5"	12' 5"	12' 5"	11' 7"	11' 7"	11' 7"
600S137-54	12	50	53' 8"	43' 0"	37' 7"	31' 0"	29' 4"	24' 9"	26' 10"	26' 8"	22' 6"	24' 0"	24' 0"	20' 10"	21' 11"	21' 11"	19' 8"	20' 3"	20' 3"	18' 8"	19' 0"	19' 0"	17' 10"
600S137-54	16	50	46' 6"	39' 1"	34' 2"	26' 10"	26' 8"	22' 6"	23' 3"	23' 3"	20' 5"	20' 9"	20' 9"	19' 0"	19' 0"	19' 0"	17' 10"	17' 7"	17' 7"	16' 11"	16' 5"	16' 5"	16' 3"
600S137-54	24	50	37' 11"	34' 2"	29' 10"	21' 11"	21' 11"	19' 8"	19' 0"	19' 0"	17' 10"	17' 0"	17' 0"	16' 7"	15' 6"	15' 6"	15' 6"	14' 4"	14' 4"	14' 4"	13' 5"	13' 5"	13' 5"
600S137-68	12	33	52' 7"	46' 1"	40' 3"	30' 4"	30' 4"	26' 6"	26' 3"	26' 3"	24' 1"	23' 6"	23' 6"	22' 4"	21' 5"	21' 5"	21' 1"	19' 10"	19' 10"	19' 10"	18' 7"	18' 7"	18' 7"
600S137-68	16	33	45' 6"	41' 10"	36' 7"	26' 3"	26' 3"	24' 1"	22' 9"	22' 9"	21' 11"	20' 4"	20' 4"	20' 4"	18' 7"	18' 7"	18' 7"	17' 2"	17' 2"	17' 2"	16' 1"	16' 1"	16' 1"
600S137-68	24	33	37' 2"	36' 7"	31' 11"	21' 5"	21' 5"	21' 1"	18' 7"	18' 7"	18' 7"	16' 7"	16' 7"	16' 7"	15' 2"	15' 2"	15' 2"	14' 1"	14' 1"	14' 1"	13' 2"	13' 2"	13' 2"
600S137-68	12	50																					

# Limiting Wall Heights - Curtain Wall 2-span



Stud Member	Spacing, in, oc	Fy, ksi	5 psf			15 psf			20 psf			25 psf			30 psf			35 psf			40 psf		
			L/120	L/240	L/360	L/240	L/360	L/600	L/240	L/360	L/600	L/240	L/360	L/600	L/240	L/360	L/600	L/240	L/360	L/600	L/240	L/360	L/600
600S162-54	12	50	56 7"	44 11"	39 3"	33 1"	30 7"	25 10"	28 8"	27 10"	23 6"	25 8"	25 8"	21 9"	23 5"	23 5"	20 6"	21 8"	21 8"	19 6"	20 3"	20 3"	18 7"
600S162-54	16	50	49 7"	40 9"	35 8"	28 8"	27 10"	23 6"	24 10"	24 10"	21 4"	22 2"	22 2"	19 9"	20 3"	20 3"	18 7"	18 9"	18 9"	17 8"	18 9"	18 9"	16 11"
600S162-54	24	50	40 6"	35 8"	31 1"	23 5"	23 5"	20 6"	20 3"	20 3"	18 7"	18 1"	18 1"	17 3"	16 6"	16 6"	16 3"	15 4"	15 4"	15 4"	14 4"	14 4"	14 4"
600S162-68	12	33	56 1"	48 1"	42 0"	32 5"	32 5"	27 8"	28 1"	28 1"	25 2"	25 1"	25 1"	23 4"	22 11"	22 11"	22 0"	21 2"	21 2"	20 11"	19 10"	19 10"	19 10"
600S162-68	16	33	48 7"	43 9"	38 2"	28 1"	28 1"	25 2"	24 3"	24 3"	22 10"	21 9"	21 9"	21 3"	19 10"	19 10"	19 10"	18 4"	18 4"	18 4"	17 2"	17 2"	17 2"
600S162-68	24	33	39 8"	38 2"	33 4"	22 11"	22 11"	22 0"	19 10"	19 10"	19 10"	17 9"	17 9"	17 9"	16 2"	16 2"	16 2"	15 0"	15 0"	15 0"	14 0"	14 0"	14 0"
600S162-68	12	50	60 8"	48 1"	42 0"	37 7"	32 10"	27 8"	33 4"	29 10"	25 2"	29 9"	27 8"	23 4"	27 2"	26 1"	22 0"	25 2"	24 9"	20 11"	23 7"	23 7"	20 0"
600S162-68	16	50	55 1"	43 9"	38 2"	33 4"	29 10"	25 2"	28 10"	27 1"	22 10"	25 10"	25 2"	21 3"	23 7"	23 7"	20 0"	21 10"	21 10"	19 0"	20 5"	20 5"	18 2"
600S162-68	24	50	47 1"	38 2"	33 4"	27 2"	26 1"	22 0"	23 7"	23 7"	20 0"	21 1"	21 1"	18 6"	19 3"	19 3"	17 5"	17 10"	17 10"	16 7"	16 8"	16 8"	15 10"
600S162-97	12	33	65 5"	53 4"	46 7"	37 9"	36 5"	30 8"	32 9"	32 9"	27 11"	29 3"	29 3"	25 11"	26 9"	26 9"	24 4"	24 9"	24 9"	23 2"	23 2"	23 2"	22 2"
600S162-97	16	33	56 8"	48 5"	42 4"	32 9"	32 9"	27 11"	33 4"	28 4"	25 4"	25 4"	25 4"	23 6"	23 2"	23 2"	22 2"	21 5"	21 5"	21 0"	20 0"	20 0"	20 0"
600S162-97	24	33	46 3"	42 4"	37 0"	26 9"	26 9"	24 4"	23 2"	23 2"	22 2"	20 8"	20 8"	20 7"	18 11"	18 11"	18 11"	17 6"	17 6"	17 6"	16 4"	16 4"	16 4"
600S162-97	12	50	67 2"	53 4"	46 7"	41 8"	36 5"	30 8"	37 10"	33 1"	27 11"	35 2"	30 8"	25 11"	32 11"	28 11"	24 4"	30 5"	27 5"	23 2"	28 6"	26 3"	22 2"
600S162-97	16	50	61 1"	48 5"	42 4"	37 10"	33 1"	27 11"	34 5"	30 0"	25 4"	31 2"	27 11"	23 6"	28 6"	26 3"	22 2"	26 4"	24 11"	21 0"	24 8"	23 10"	20 1"
600S162-97	24	50	53 4"	42 4"	37 0"	32 11"	28 11"	24 4"	28 6"	26 3"	22 2"	25 6"	24 4"	20 7"	23 3"	22 11"	19 4"	21 6"	21 6"	18 4"	20 2"	20 2"	17 7"
600S162-118	12	33	71 0"	56 4"	49 3"	41 0"	38 5"	32 5"	35 6"	34 11"	29 5"	31 9"	31 9"	27 4"	29 0"	29 0"	25 9"	26 10"	26 10"	24 5"	25 1"	25 1"	23 4"
600S162-118	16	33	61 6"	51 2"	44 9"	35 6"	34 11"	29 5"	30 9"	30 9"	26 9"	27 6"	27 6"	24 10"	25 1"	25 1"	23 4"	23 3"	23 3"	22 2"	21 9"	21 9"	21 3"
600S162-118	24	33	50 3"	44 9"	39 1"	29 0"	29 0"	25 9"	25 1"	25 1"	23 4"	22 6"	22 6"	21 8"	20 6"	20 6"	20 5"	19 0"	19 0"	19 0"	17 9"	17 9"	17 9"
600S162-118	12	50	71 0"	56 4"	49 3"	44 0"	38 5"	32 5"	40 0"	34 11"	29 5"	37 1"	32 5"	27 4"	34 11"	30 6"	25 9"	33 1"	29 0"	24 5"	30 11"	27 9"	23 4"
600S162-118	16	50	64 6"	51 2"	44 9"	40 0"	34 11"	29 5"	36 4"	31 9"	26 9"	33 9"	29 5"	24 10"	30 11"	27 9"	22 2"	28 7"	26 4"	22 2"	26 9"	25 7"	21 3"
600S162-118	24	50	56 4"	44 9"	39 1"	34 11"	30 6"	25 9"	30 11"	27 9"	23 4"	27 8"	25 9"	21 8"	25 3"	24 2"	20 5"	23 4"	23 0"	19 5"	21 10"	21 10"	18 7"
600S200-33	12	33	38 2"	38 2"	35 2"	22 1"	22 1"	22 1"	19 1"	19 1"	19 1"	17 1"	17 1"	17 1"	15 7"	15 7"	15 7"	14 5"	14 5"	14 5"	13 6"	13 6"	13 6"
600S200-33	16	33	33 1"	33 1"	31 11"	19 1"	19 1"	19 1"	16 6"	16 6"	16 6"	14 9"	14 9"	14 9"	13 6"	13 6"	13 6"	12 6"	12 6"	12 6"	11 8"	11 8"	11 8"
600S200-33	24	33	27 0"	27 0"	27 0"	15 7"	15 7"	15 7"	13 6"	13 6"	13 6"	12 1"	12 1"	12 1"	11 0"	11 0"	11 0"	10 2"	10 2"	10 2"	9 7"	9 7"	9 7"
600S200-43	12	33	45 8"	43 11"	38 5"	26 4"	26 4"	25 3"	22 10"	22 10"	22 10"	20 5"	20 5"	20 5"	18 8"	18 8"	18 8"	17 3"	17 3"	17 3"	16 2"	16 2"	16 2"
600S200-43	16	33	39 7"	39 7"	34 10"	22 10"	22 10"	22 10"	19 9"	19 9"	19 9"	17 8"	17 8"	17 8"	16 2"	16 2"	16 2"	14 11"	14 11"	14 11"	14 0"	14 0"	14 0"
600S200-43	24	33	32 3"	32 3"	30 6"	18 8"	18 8"	18 8"	16 2"	16 2"	16 2"	14 5"	14 5"	14 5"	13 2"	13 2"	13 2"	12 2"	12 2"	12 2"	11 5"	11 5"	11 5"
600S200-54	12	33	52 10"	47 2"	41 2"	30 6"	30 6"	27 2"	26 5"	26 5"	24 8"	23 8"	23 8"	22 11"	21 7"	21 7"	21 6"	20 0"	20 0"	20 0"	18 8"	18 8"	18 8"
600S200-54	16	33	45 9"	42 10"	37 5"	26 5"	26 5"	24 8"	22 11"	22 11"	22 5"	20 6"	20 6"	20 6"	18 8"	18 8"	18 8"	17 4"	17 4"	17 4"	16 2"	16 2"	16 2"
600S200-54	24	33	37 5"	37 5"	32 8"	21 7"	21 7"	21 6"	18 8"	18 8"	18 8"	16 9"	16 9"	16 9"	15 3"	15 3"	15 3"	14 2"	14 2"	14 2"	13 3"	13 3"	13 3"
600S200-54	12	50	59 5"	47 2"	41 2"	35 2"	32 2"	27 2"	30 5"	29 3"	24 8"	27 3"	27 2"	22 11"	24 10"	24 10"	21 6"	23 0"	23 0"	20 6"	21 6"	21 6"	19 7"
600S200-54	16	50	52 9"	42 10"	37 5"	30 5"	29 3"	24 8"	26 5"	26 5"	22 5"	23 7"	23 7"	20 10"	21 6"	21 6"	19 7"	19 11"	19 11"	18 7"	18 8"	18 8"	17 9"
600S200-54	24	50	43 1"	37 5"	32 8"	24 10"	24 10"	21 6"	21 6"	21 6"	19 3"	19 3"	18 2"	17 7"	17 7"	17 1"	16 3"	16 3"	16 3"	15 3"	15 3"	15 3"	
600S200-68	12	33	60 6"	50 7"	44 3"	34 11"	34 6"	29 1"	30 3"	30 3"	26 5"	27 1"	27 1"	24 7"	24 8"	24 8"	23 1"	22 10"	22 10"	21 11"	21 5"	21 5"	21 0"
600S200-68	16	33	52 5"	46 0"	40 2"	30 3"	30 3"	26 5"	26 2"	26 2"	24 0"	19 2"	19 2"	22 4"	21 5"	21 5"	21 0"	19 10"	19 10"	19 10"	18 6"	18 6"	18 6"
600S200-68	24	33	42 9"	40 2"	35 1"	24 8"	24 8"	23 1"	21 5"	21 5"	21 0"	19 2"	19 2"	19 2"	17 6"	17 6"	17 6"	16 2"	16 2"	16 2"	15 1"	15 1"	15 1"
600S200-68	12	50	63 9"	50 7"	44 3"	39 6"	34 6"	29 1"	35 5"	31 4"	26 5"	31 8"	29 1"	24 7"	28 11"	27 5"	23 1"	26 9"	26 0"	21 11"	25 0"	24 11"	21 0"
600S200-68	16	50	57 11"	46 0"	40 2"	35 5"	31 4"	26 5"	30 8"	28 6"	24 0"	27 5"	26 5"	22 4"	25 0"	24 11"	21 0"	23 2"	23 2"	19 11"	21 8"	21 8"	19 1"
600S200-68	24	50	50 1"	40 2"	35 1"	28 11"	27 5"	23 1"	25 0"	24 11"	21 0"	22 5"	22 5"	19 6"	20 5"	20 5"	18 4"	18 11"	18 11"	17 5"	17 8"	17 8"	16 8"
600S200-97	12	33	70 9"	56 2"	49 1"	40 10"	38 4"	32 4"	35 5"	34 10"	29 5"	31 8"	31 8"	27 3"	28 11"	28 11"	25 8"	26 9"	26 9"	24 5"	25 0"	25 0"	23 4"
600S200-97	16	33	61 3"	51 1"	44 7"	35 5"	34 10"	29 5"	30 8"	30 8"	26 8"	27 5"	27 5"	24 9"	25 0"	25 0"	23 4"	23 2"	23 2"	22 2"	21 8"	21 8"	21 2"
600S200-97	24	33	50 0"	44 7"	39 0"	28 11"	28 11"	25 8"	25 0"	25 0"	23 4"	22 5"	22 5"	21 8"	20 5"	20 5"	20 4"	18 11"	18 11"	18 11"	17 8"	17 8"	17 8"
600S200-97	12	50	70 10"	56 2"	49 1"	43 11"	38 4"	32 4"	39 10"	34 10"	29 5"	37 0"	32 4"	27 3"	34 10"	30 5"	25 8"	32 11"	28 11"	24 5"	30 10"	27 8"	23 4"
600S200-97	16	50	64 4"	51 1"	44 7"	39 10"	34 10"	29 5"	36 3"	31 8"	26 8"	33 8"	29 5"	24 9"	30 10"	27 8"	23 4"	28 6"	26 3"	22 2"	26 8"	25 1"	21 2"
600S200-97	24	50	56 2"	44 7"	39 0"	34 10"	30 5"	25 8"	30 10"	27 8"	23 4"	27 7"	25 8"	21 8"	25 2"	24 2"	20 4"	23 3"	22 11"	19 4"	21 9"	21 9"	18 6"
600S200-118	12	33	74 11"	59 5"	51 11"	44 5"	40 7"	34 2"	38 6"	36 10"	31 1"	34 5"	34 2"	28 10"	31 5"	31 5"	27 2"	29 1"	29 1"	25 9"	27 3"	27 3"	24 8"
600S200-118	16	33	66 8"	54 0"	47 2"	38 6"	36 10"	31 1"	33 4"	33 4"	28 3"	29 10"	29 10"	26 2"	27 3"	27 3"	24 8"	25 2"	25 2"	23 5"	23 7"	23 7"	22 5"
600S200-118	24	33	54 5"	47 2"	41 3"	31 5"	31 5"	27 2"	27 3"	27 3"	24 8"	24 4"	24 4"	22 11"	22 3"	22 3"	21 7"	20 7"	20 7"	20 6"	19 3"	19 3"	19 3"
600S200-118	12	50	74 11"	59 5"	51 11"	46 5"	40 7"	34 2"	42 2"	36 10"	31 1"	39 2"	34 2"	28 10"	36 10"	32 2"	27 2"	35 0"	30 7"	25 9"	33 6"	29 3"	24 8"
600S200-118	16	50	68 0"	54 0"	47 2"	42 2"	36 10"	31 1"	38 4"	33 6"	28 3"	35 7"	31 1"	26 2"	33 6"	29 3"	24 8"	31 0"	27 9"	23 5"	29 0"	26 7"	22 5"
600S200-118	24	50	59 5"	47 2"	41 3"	36 10"	32 2"	27 2"	33 6"	29 3"	24 8"	30 0"	27 2"	22 11"	27 4"	25 7"	21 7"	25 4"	24 3"	20 6"	23 8"	23 2"	19 7"
600S250-43	12	33	46 10"	46 0"	40 2"	27 1"	27 1"	26 6"	23 5"	23 5"	23 5"	20 11"	20 11"	20 11"	19 2"	19 2"	19 2"	17 9"	17 9"	17 9"	16 7"	16 7"	16 7"
600S250-43	16	33	40 7"	40 7"	36 6"	23 5"	23 5"	23 5"	20 4"	20 4"	20 4"	18 2"	18 2"	18 2"	16 7								



# Limiting Wall Heights - Curtain Wall 2-span



Stud Member	Spacing, in, oc	Fy, ksi	5 psf			15 psf			20 psf			25 psf			30 psf			35 psf			40 psf		
			L/120	L/240	L/360	L/240	L/360	L/600	L/240	L/360	L/600	L/240	L/360	L/600	L/240	L/360	L/600	L/240	L/360	L/600	L/240	L/360	L/600
600S250-97	12	33	74' 4"	59' 0"	51' 7"	44' 0"	40' 3"	33' 11"	38' 1"	36' 7"	30' 10"	34' 1"	33' 11"	28' 8"	31' 1"	31' 1"	26' 11"	28' 9"	28' 9"	25' 7"	26' 11"	26' 11"	24' 6"
600S250-97	16	33	65' 11"	53' 7"	46' 10"	38' 1"	36' 7"	30' 10"	33' 0"	33' 0"	28' 0"	29' 6"	29' 6"	26' 0"	26' 11"	26' 11"	24' 6"	24' 11"	24' 11"	23' 3"	23' 4"	23' 4"	22' 3"
600S250-97	24	33	53' 10"	46' 10"	40' 11"	31' 1"	31' 1"	26' 11"	26' 11"	26' 11"	24' 6"	24' 1"	24' 1"	22' 9"	22' 0"	22' 0"	21' 5"	20' 4"	20' 4"	20' 4"	19' 0"	19' 0"	19' 0"
600S250-97	12	50	74' 4"	59' 0"	51' 7"	46' 1"	40' 3"	33' 11"	41' 10"	36' 7"	30' 10"	38' 10"	33' 11"	28' 8"	36' 7"	31' 11"	26' 11"	34' 6"	30' 4"	25' 7"	32' 4"	29' 0"	24' 6"
600S250-97	16	50	67' 6"	53' 7"	46' 10"	41' 10"	36' 7"	30' 10"	38' 0"	33' 3"	28' 0"	35' 4"	30' 10"	26' 0"	32' 4"	29' 0"	24' 6"	29' 11"	27' 7"	23' 3"	28' 0"	26' 4"	22' 3"
600S250-97	24	50	59' 0"	46' 10"	40' 11"	36' 7"	31' 11"	26' 11"	32' 4"	29' 0"	24' 6"	28' 11"	26' 11"	22' 9"	26' 4"	25' 4"	21' 5"	24' 5"	24' 1"	20' 4"	22' 10"	22' 10"	19' 5"
600S250-118	12	33	78' 9"	62' 6"	54' 7"	47' 11"	42' 7"	35' 11"	41' 6"	38' 9"	32' 8"	37' 1"	35' 11"	30' 4"	33' 10"	33' 10"	28' 6"	31' 4"	31' 4"	27' 1"	29' 4"	29' 4"	25' 11"
600S250-118	16	33	71' 6"	56' 9"	49' 7"	41' 6"	38' 9"	32' 8"	35' 11"	35' 2"	29' 8"	32' 2"	32' 2"	27' 7"	29' 4"	29' 4"	25' 11"	27' 2"	27' 2"	24' 8"	25' 5"	25' 5"	23' 7"
600S250-118	24	33	58' 8"	49' 7"	43' 4"	33' 10"	33' 10"	28' 6"	29' 4"	29' 4"	25' 11"	26' 3"	26' 3"	24' 1"	23' 11"	23' 11"	22' 8"	22' 2"	22' 2"	21' 6"	20' 9"	20' 9"	20' 7"
600S250-118	12	50	78' 9"	62' 6"	54' 7"	48' 9"	42' 7"	35' 11"	44' 4"	38' 9"	32' 8"	41' 2"	35' 11"	30' 4"	38' 9"	33' 10"	28' 6"	36' 9"	32' 2"	27' 1"	35' 2"	30' 9"	25' 11"
600S250-118	16	50	71' 6"	56' 9"	49' 7"	44' 4"	38' 9"	32' 8"	40' 3"	35' 2"	29' 8"	37' 1"	32' 8"	27' 7"	35' 2"	30' 9"	25' 11"	35' 2"	30' 9"	25' 11"	24' 8"	27' 11"	23' 7"
600S250-118	24	50	62' 6"	49' 7"	43' 4"	38' 9"	33' 10"	28' 6"	35' 2"	30' 9"	25' 11"	32' 4"	28' 6"	24' 1"	29' 6"	26' 10"	22' 8"	27' 4"	25' 6"	21' 6"	25' 6"	24' 5"	20' 7"
600S300-54	12	33	55' 7"	51' 4"	44' 10"	32' 1"	32' 1"	29' 6"	27' 9"	27' 9"	26' 10"	24' 10"	24' 10"	24' 10"	22' 8"	22' 8"	22' 8"	21' 0"	21' 0"	21' 0"	19' 8"	19' 8"	19' 8"
600S300-54	16	33	48' 2"	46' 7"	40' 9"	27' 9"	27' 9"	26' 10"	24' 1"	24' 1"	24' 1"	21' 6"	21' 6"	21' 6"	19' 8"	19' 8"	19' 8"	18' 2" e	18' 2" e	18' 2" e	17' 0" e	17' 0" e	17' 0" e
600S300-54	24	33	39' 4"	39' 4"	35' 7"	22' 8"	22' 8"	22' 8"	19' 8"	19' 8"	19' 8"	17' 7" e	17' 7" e	17' 7" e	16' 1" e	16' 1" e	16' 1" e	14' 10" e	14' 10" e	14' 10" e	13' 11" e	13' 11" e	13' 11" e
600S300-54	12	50	63' 4"	50' 3"	43' 11"	36' 7"	34' 3"	28' 11"	31' 8"	31' 2"	26' 3"	28' 4"	28' 4"	24' 5"	25' 10"	25' 10"	22' 11"	23' 11"	23' 11"	21' 10"	22' 5"	22' 5"	20' 10"
600S300-54	16	50	54' 10"	45' 8"	39' 11"	31' 8"	31' 2"	26' 3"	27' 5"	27' 5"	23' 10"	24' 6"	24' 6"	22' 2"	22' 5"	22' 5"	20' 10"	20' 9"	20' 9"	19' 10"	19' 5"	19' 5"	18' 11"
600S300-54	24	50	44' 10"	39' 11"	34' 10"	25' 10"	25' 10"	22' 11"	22' 5"	22' 5"	20' 10"	20' 0"	20' 0"	19' 4"	18' 3"	18' 3"	18' 3"	16' 11"	16' 11"	16' 11"	15' 10" e	15' 10" e	15' 10" e
600S300-68	12	33	64' 6"	55' 3"	48' 4"	37' 3"	37' 3"	31' 10"	32' 3"	32' 3"	28' 11"	28' 10"	28' 10"	26' 10"	26' 4"	26' 4"	25' 3"	24' 5"	24' 5"	24' 0"	22' 10"	22' 10"	22' 10"
600S300-68	16	33	55' 11"	50' 3"	43' 11"	32' 3"	32' 3"	28' 11"	27' 11"	27' 11"	26' 3"	25' 0"	25' 0"	24' 4"	22' 10"	22' 10"	22' 10"	21' 1"	21' 1"	21' 1"	19' 9"	19' 9"	19' 9"
600S300-68	24	33	45' 8"	43' 11"	38' 4"	26' 4"	26' 4"	25' 3"	22' 10"	22' 10"	22' 10"	20' 5"	20' 5"	20' 5"	18' 8"	18' 8"	18' 8"	17' 3" e	17' 3" e	17' 3" e	16' 2" e	16' 2" e	16' 2" e
600S300-68	12	50	69' 1"	54' 10"	47' 11"	42' 9"	37' 5"	31' 7"	37' 1"	34' 0"	28' 8"	33' 2"	31' 7"	26' 7"	30' 3"	29' 8"	25' 1"	28' 0"	28' 0"	23' 10"	26' 2"	26' 2"	22' 9"
600S300-68	16	50	62' 10"	49' 10"	43' 6"	37' 1"	34' 0"	28' 8"	32' 1"	30' 11"	26' 1"	28' 8"	28' 8"	24' 2"	26' 2"	26' 2"	22' 9"	24' 3"	24' 3"	21' 7"	22' 8"	22' 8"	20' 8"
600S300-68	24	50	52' 5"	43' 6"	38' 0"	30' 3"	29' 8"	25' 1"	26' 2"	26' 2"	22' 9"	23' 5"	23' 5"	21' 2"	21' 5"	21' 5"	19' 11"	19' 10"	18' 11"	18' 6"	18' 6"	18' 1"	
600S300-97	12	33	77' 7"	61' 7"	53' 9"	46' 8"	42' 0"	35' 5"	40' 5"	38' 2"	32' 2"	36' 2"	35' 5"	29' 11"	33' 0"	33' 0"	28' 1"	30' 7"	30' 7"	26' 8"	28' 7"	28' 7"	25' 7"
600S300-97	16	33	70' 0"	55' 11"	48' 10"	40' 5"	38' 2"	32' 2"	35' 0"	34' 8"	29' 3"	31' 4"	31' 4"	27' 2"	28' 7"	28' 7"	25' 7"	26' 6"	26' 6"	24' 3"	24' 9"	24' 9"	23' 3"
600S300-97	24	33	57' 2"	48' 10"	42' 8"	33' 0"	33' 0"	28' 1"	28' 7"	28' 7"	25' 7"	25' 7"	25' 7"	23' 9"	23' 4"	23' 4"	22' 4"	21' 7"	21' 7"	21' 2"	20' 3"	20' 3"	20' 3"
600S300-97	12	50	77' 3"	61' 3"	53' 6"	47' 10"	41' 10"	35' 3"	43' 6"	38' 0"	32' 0"	40' 4"	35' 3"	29' 0"	38' 0"	33' 2"	28' 0"	35' 5"	31' 6"	26' 7"	33' 1"	30' 2"	25' 5"
600S300-97	16	50	70' 2"	55' 8"	48' 8"	43' 6"	38' 0"	32' 0"	39' 6"	34' 6"	29' 1"	36' 3"	32' 0"	27' 9"	33' 1"	30' 2"	25' 5"	30' 8"	28' 8"	24' 2"	28' 8"	27' 5"	23' 1"
600S300-97	24	50	61' 3"	48' 8"	42' 6"	38' 0"	33' 2"	28' 0"	33' 1"	30' 2"	25' 5"	29' 7"	28' 0"	23' 7"	27' 0"	26' 4"	22' 3"	25' 0"	25' 0"	21' 1"	23' 5"	23' 5"	20' 2"
600S300-118	12	33	82' 3"	65' 3"	57' 0"	50' 11"	44' 6"	37' 7"	44' 3"	40' 5"	34' 1"	39' 7"	37' 7"	31' 8"	36' 2"	35' 4"	29' 10"	33' 6"	33' 6"	28' 4"	31' 4"	31' 4"	27' 1"
600S300-118	16	33	74' 8"	59' 3"	51' 9"	44' 3"	40' 5"	34' 1"	38' 4"	36' 9"	31' 0"	34' 4"	34' 4"	28' 9"	31' 4"	31' 4"	27' 1"	29' 0"	29' 0"	25' 9"	27' 1"	27' 1"	24' 7"
600S300-118	24	33	62' 7"	51' 9"	45' 3"	36' 2"	35' 4"	29' 10"	31' 4"	31' 4"	27' 1"	28' 0"	28' 0"	25' 2"	25' 7"	25' 7"	23' 8"	23' 8"	23' 8"	22' 6"	22' 2"	22' 2"	21' 6"
600S300-118	12	50	82' 0"	65' 1"	56' 10"	50' 10"	44' 5"	37' 5"	46' 2"	40' 4"	34' 0"	42' 10"	37' 5"	31' 7"	40' 4"	35' 3"	29' 9"	38' 4"	33' 6"	28' 3"	36' 8"	32' 0"	27' 0"
600S300-118	16	50	74' 6"	59' 1"	51' 8"	46' 2"	40' 4"	34' 0"	41' 11"	36' 8"	30' 11"	38' 11"	34' 0"	28' 8"	36' 8"	32' 0"	27' 0"	34' 9"	30' 5"	25' 8"	32' 6"	29' 1"	24' 6"
600S300-118	24	50	65' 1"	51' 8"	45' 1"	40' 4"	35' 3"	29' 9"	36' 8"	32' 0"	27' 0"	33' 7"	29' 9"	25' 1"	30' 8"	28' 0"	23' 7"	28' 4"	26' 7"	22' 5"	26' 6"	25' 5"	21' 5"
600S350-54	12	33	61' 7"	53' 9"	46' 11"	35' 7"	35' 7"	30' 11"	30' 9"	30' 9"	28' 1"	27' 6"	27' 6"	26' 1"	25' 2"	25' 2"	24' 7"	23' 3" e	23' 3" e	23' 3" e	21' 9" e	21' 9" e	21' 9" e
600S350-54	16	33	53' 4"	48' 10"	42' 8"	30' 9"	30' 9"	28' 1"	26' 8"	26' 8"	25' 6"	23' 10" e	23' 10" e	23' 8"	21' 9" e	21' 9" e	21' 9" e	20' 2" e	20' 2" e	20' 2" e	18' 10" e	18' 10" e	18' 10" e
600S350-54	24	33	43' 6"	42' 8"	37' 3"	25' 2"	25' 2"	24' 7"	21' 9" e	21' 9" e	21' 9" e	19' 6" e	19' 6" e	19' 6" e	17' 9" e	17' 9" e	17' 9" e	16' 5" e	16' 5" e	16' 5" e	15' 5" e	15' 5" e	15' 5" e
600S350-54	12	50	66' 10"	53' 1"	46' 4"	40' 8"	36' 2"	30' 6"	35' 2"	32' 11"	27' 9"	31' 6"	30' 6"	25' 9"	28' 9"	28' 9"	24' 3"	26' 7"	26' 7"	23' 0"	24' 11"	24' 11"	22' 0"
600S350-54	16	50	60' 9"	48' 2"	42' 1"	35' 2"	32' 11"	27' 9"	30' 6"	29' 10"	25' 2"	27' 3"	27' 3"	23' 5"	24' 11"	24' 11"	22' 0"	23' 0"	23' 0"	20' 11"	21' 7"	21' 7"	20' 0"
600S350-54	24	50	49' 9"	42' 1"	36' 9"	28' 9"	28' 9"	24' 3"	24' 11"	24' 11"	22' 0"	22' 3"	22' 3"	20' 5"	20' 4" e	20' 4" e	19' 3"	18' 10" e	18' 10" e	18' 3" e	17' 7" e	17' 7" e	17' 6" e
600S350-68	12	33	71' 5"	58' 2"	50' 10"	41' 3"	39' 8"	33' 6"	35' 8"	35' 8"	30' 5"	31' 11"	31' 11"	28' 3"	29' 2"	29' 2"	26' 7"	27' 0"	27' 0"	25' 3"	25' 3"	25' 3"	24' 2"
600S350-68	16	33	61' 10"	52' 11"	46' 2"	35' 8"	35' 8"	30' 5"	30' 11"	30' 11"	27' 8"	27' 8"	27' 8"	25' 8"	25' 3"	25' 3"	24' 2"	23' 4"	23' 4"	22' 11"	21' 10"	21' 10"	21' 10"
600S350-68	24	33	50' 6"	46' 2"	40' 4"	29' 2"	29' 2"	26' 7"	25' 3"	25' 3"	24' 2"	22' 7"	22' 7"	22' 5"	20' 7" e	20' 7" e	20' 7" e	19' 1" e	19' 1" e	19' 1" e	17' 10" e	17' 10" e	17' 10" e
600S350-68	12	50	73' 1"	58' 0"	50' 8"	45' 3"	39' 7"	33' 4"	41' 0"	35' 11"	30' 4"	36' 8"	33' 4"	28' 2"	33' 6"	31' 5"	26' 6"	31' 0"	29' 10"	25' 2"	29' 0"	28' 6"	24' 1"
600S350-68	16	50	66' 5"	52' 8"	46' 0"	41' 0"	35' 11"	30' 4"	35' 6"	32' 8"	27' 6"	31' 9"	30' 4"	25' 7"	29' 0"	28' 6"	24' 1"	26' 10"	26' 10"	22' 10"	25' 1"	25' 1"	21' 10"
600S350-68	24	50	58' 0"	46' 0"	40' 2"	33' 6"	31' 5"</																

# Limiting Wall Heights - Curtain Wall 2-span



Stud Member	Spacing, in, oc	Fy, ksi	5 psf			15 psf			20 psf			25 psf			30 psf			35 psf			40 psf		
			L/120	L/240	L/360	L/240	L/360	L/600	L/240	L/360	L/600	L/240	L/360	L/600	L/240	L/360	L/600	L/240	L/360	L/600	L/240	L/360	L/600
			800S137-54	12	33	54' 3"	54' 3"	47' 6"	31' 4"	31' 4"	31' 3"	27' 2"	27' 2"	27' 2"	24' 3"	24' 3"	24' 3"	22' 2"	22' 2"	22' 2"	20' 6"	20' 6"	20' 6"

See Curtain Wall Limiting Heights Table Notes on page 35.



# Limiting Wall Heights - Curtain Wall 2-span



Stud Member	Spacing, in, oc	Fy, ksi	5 psf			15 psf			20 psf			25 psf			30 psf			35 psf			40 psf		
			L/120	L/240	L/360	L/240	L/360	L/600	L/240	L/360	L/600	L/240	L/360	L/600	L/240	L/360	L/600	L/240	L/360	L/600	L/240	L/360	L/600
800S200-97	12	33	86' 7"	70' 9"	61' 10"	50' 0"	48' 3"	40' 9"	43' 4"	43' 4"	37' 0"	38' 9"	38' 9"	34' 4"	35' 4"	35' 4"	32' 4"	32' 9"	32' 9"	30' 8"	30' 7"	30' 7"	29' 4"
800S200-97	16	33	75' 0"	64' 3"	56' 2"	43' 4"	43' 4"	37' 0"	37' 6"	37' 6"	33' 7"	33' 6"	33' 6"	31' 2"	30' 7"	30' 7"	29' 4"	28' 4"	28' 4"	27' 11"	26' 6"	26' 6"	26' 6"
800S200-97	24	33	61' 3"	56' 2"	49' 1"	35' 4"	35' 4"	32' 0"	35' 4"	35' 4"	29' 4"	27' 5"	27' 5"	27' 3"	25' 0"	25' 0"	25' 0"	23' 2"	23' 2"	23' 2"	21' 8"	21' 8"	21' 8"
800S200-97	12	50	89' 2"	70' 9"	61' 10"	55' 3"	48' 3"	40' 9"	50' 2"	43' 10"	37' 0"	46' 7"	40' 9"	34' 4"	42' 10"	38' 4"	32' 4"	39' 8"	36' 5"	30' 8"	37' 1"	34' 10"	29' 4"
800S200-97	16	50	81' 0"	64' 3"	56' 2"	50' 2"	43' 10"	37' 0"	45' 5"	39' 10"	33' 7"	40' 7"	37' 0"	31' 2"	37' 1"	34' 10"	29' 4"	34' 4"	33' 1"	27' 11"	32' 1"	31' 7"	26' 8"
800S200-97	24	50	70' 9"	56' 2"	49' 1"	42' 10"	38' 4"	32' 4"	37' 1"	34' 10"	29' 4"	33' 2"	32' 4"	27' 3"	30' 3"	30' 3"	25' 8"	28' 0"	28' 0"	24' 4"	26' 3"	26' 3"	23' 4"
800S200-118	12	33	94' 5"	74' 11"	65' 6"	54' 6"	51' 2"	43' 1"	47' 2"	46' 5"	39' 2"	47' 2"	46' 5"	39' 2"	42' 3"	42' 3"	36' 4"	38' 7"	38' 7"	34' 3"	35' 5"	33' 5"	31' 1"
800S200-118	16	33	81' 9"	68' 1"	59' 6"	47' 2"	46' 5"	39' 2"	40' 11"	40' 11"	35' 7"	36' 7"	36' 7"	33' 1"	33' 5"	33' 5"	31' 1"	30' 11"	30' 11"	29' 6"	28' 11"	28' 11"	28' 3"
800S200-118	24	33	66' 9"	59' 6"	52' 0"	38' 7"	38' 7"	34' 3"	33' 5"	33' 5"	31' 1"	29' 10"	29' 10"	28' 10"	27' 3"	27' 3"	27' 2"	25' 3"	25' 3"	25' 3"	23' 7"	23' 7"	23' 7"
800S200-118	12	50	94' 5"	74' 11"	65' 6"	58' 6"	51' 2"	43' 1"	53' 2"	46' 5"	39' 2"	49' 4"	43' 1"	36' 4"	46' 5"	40' 7"	34' 3"	43' 11"	38' 7"	32' 6"	41' 1"	36' 10"	31' 1"
800S200-118	16	50	85' 10"	68' 1"	59' 6"	53' 2"	46' 5"	39' 2"	48' 4"	42' 2"	35' 7"	44' 10"	39' 2"	33' 1"	41' 1"	36' 10"	29' 6"	38' 0"	35' 0"	29' 6"	37' 5"	33' 6"	28' 3"
800S200-118	24	50	74' 11"	59' 6"	52' 0"	46' 5"	40' 7"	34' 3"	41' 1"	36' 10"	31' 1"	36' 9"	34' 3"	28' 10"	33' 7"	32' 3"	27' 2"	31' 1"	30' 7"	25' 10"	29' 1"	29' 1"	24' 8"
800S250-43	12	33	54' 8"	54' 8"	50' 3"	31' 7"	31' 7"	31' 7"	27' 4"	27' 4"	27' 4"	24' 5"	24' 5"	24' 5"	22' 4"	22' 4"	22' 4"	20' 8"	20' 8"	20' 8"	19' 4"	19' 4"	19' 4"
800S250-43	16	33	47' 4"	47' 4"	45' 8"	27' 4"	27' 4"	27' 4"	23' 8"	23' 8"	23' 8"	21' 2"	21' 2"	21' 2"	19' 4"	19' 4"	19' 4"	17' 11"	17' 11"	17' 11"	16' 9"	16' 9"	16' 9"
800S250-43	24	33	38' 8"	38' 8"	38' 8"	22' 4"	22' 4"	22' 4"	19' 4"	19' 4"	19' 4"	17' 3"	17' 3"	17' 3"	15' 9"	15' 9"	15' 9"	14' 7"	14' 7"	14' 7"	13' 8"	13' 8"	13' 8"
800S250-54	12	33	63' 10"	61' 10"	54' 0"	36' 10"	36' 10"	35' 7"	31' 11"	31' 11"	31' 11"	28' 7"	28' 7"	28' 7"	26' 1"	26' 1"	26' 1"	24' 1"	24' 1"	24' 1"	22' 7"	22' 7"	22' 7"
800S250-54	16	33	55' 3"	55' 3"	49' 1"	31' 11"	31' 11"	31' 11"	27' 8"	27' 8"	27' 8"	24' 9"	24' 9"	24' 9"	22' 7"	22' 7"	22' 7"	20' 11"	20' 11"	20' 11"	19' 7"	19' 7"	19' 7"
800S250-54	24	33	45' 2"	45' 2"	42' 10"	26' 1"	26' 1"	26' 1"	22' 7"	22' 7"	22' 7"	20' 2"	20' 2"	20' 2"	18' 5"	18' 5"	18' 5"	17' 1"	17' 1"	17' 1"	15' 11"	15' 11"	15' 11"
800S250-54	12	50	72' 10"	61' 7"	53' 9"	42' 0"	42' 0"	35' 5"	36' 5"	36' 5"	32' 2"	32' 7"	32' 7"	29' 10"	29' 9"	29' 9"	28' 1"	27' 6"	27' 6"	26' 8"	25' 9"	25' 9"	25' 6"
800S250-54	16	50	63' 1"	55' 11"	48' 10"	36' 5"	36' 5"	32' 2"	31' 6"	31' 6"	29' 3"	28' 2"	28' 2"	27' 2"	25' 9"	25' 9"	25' 6"	23' 10"	23' 10"	23' 10"	22' 7"	22' 7"	22' 4"
800S250-54	24	50	51' 6"	48' 10"	42' 8"	29' 9"	29' 9"	28' 1"	25' 9"	25' 9"	25' 6"	23' 0"	23' 0"	23' 0"	21' 0"	21' 0"	21' 0"	19' 6"	19' 6"	19' 6"	18' 2"	18' 2"	18' 2"
800S250-68	12	33	74' 5"	66' 5"	58' 0"	42' 11"	42' 11"	38' 2"	37' 2"	37' 2"	34' 9"	33' 3"	33' 3"	32' 3"	30' 5"	30' 5"	30' 4"	28' 1"	28' 1"	28' 1"	26' 4"	26' 4"	26' 4"
800S250-68	16	33	64' 5"	60' 4"	52' 8"	37' 2"	37' 2"	34' 9"	32' 3"	32' 3"	31' 6"	28' 10"	28' 10"	28' 10"	26' 4"	26' 4"	26' 4"	24' 4"	24' 4"	24' 4"	22' 9"	22' 9"	22' 9"
800S250-68	24	33	52' 7"	52' 7"	46' 0"	30' 5"	30' 5"	30' 4"	26' 4"	26' 4"	26' 4"	23' 6"	23' 6"	23' 6"	21' 6"	21' 6"	21' 6"	19' 11"	19' 11"	19' 11"	18' 7"	18' 7"	18' 7"
800S250-68	12	50	83' 7"	66' 4"	58' 0"	49' 3"	45' 3"	38' 2"	42' 8"	41' 2"	34' 8"	38' 2"	38' 2"	32' 2"	34' 10"	34' 10"	30' 4"	32' 3"	32' 3"	28' 9"	30' 2"	30' 2"	27' 6"
800S250-68	16	50	73' 11"	60' 3"	52' 8"	42' 8"	41' 2"	34' 8"	36' 11"	36' 11"	31' 6"	33' 1"	33' 1"	29' 3"	30' 2"	30' 2"	27' 6"	27' 11"	27' 11"	26' 2"	26' 2"	26' 2"	25' 0"
800S250-68	24	50	60' 4"	52' 8"	46' 0"	34' 10"	34' 10"	30' 4"	30' 2"	30' 2"	27' 6"	27' 0"	27' 0"	25' 7"	24' 8"	24' 8"	24' 1"	22' 10"	22' 10"	22' 10"	21' 4"	21' 4"	21' 4"
800S250-97	12	33	92' 6"	73' 11"	64' 7"	53' 5"	50' 5"	42' 7"	46' 3"	45' 10"	38' 8"	41' 5"	41' 5"	35' 11"	37' 9"	37' 9"	33' 9"	35' 0"	35' 0"	32' 1"	32' 9"	32' 9"	30' 8"
800S250-97	16	33	80' 2"	67' 2"	58' 8"	46' 3"	45' 10"	38' 8"	40' 1"	40' 1"	35' 1"	35' 10"	35' 10"	32' 7"	32' 9"	32' 9"	30' 8"	30' 3"	30' 3"	29' 2"	28' 4"	28' 4"	27' 11"
800S250-97	24	33	65' 5"	58' 8"	51' 3"	37' 9"	37' 9"	33' 9"	32' 9"	32' 9"	30' 8"	29' 3"	29' 3"	28' 6"	26' 9"	26' 9"	26' 9"	24' 9"	24' 9"	24' 9"	23' 2"	23' 2"	23' 2"
800S250-97	12	50	93' 2"	73' 11"	64' 7"	57' 9"	50' 5"	42' 7"	52' 6"	45' 10"	38' 8"	48' 4"	42' 7"	35' 11"	44' 2"	40' 0"	33' 9"	40' 11"	38' 0"	32' 1"	38' 3"	36' 5"	30' 8"
800S250-97	16	50	84' 8"	67' 2"	58' 8"	52' 6"	45' 10"	38' 8"	46' 10"	41' 8"	35' 1"	41' 11"	38' 8"	32' 7"	38' 3"	36' 5"	30' 8"	35' 5"	34' 7"	29' 2"	33' 1"	33' 1"	27' 11"
800S250-97	24	50	73' 11"	58' 8"	51' 3"	44' 2"	40' 0"	33' 9"	38' 3"	36' 5"	30' 8"	34' 2"	33' 9"	28' 6"	31' 3"	31' 3"	26' 10"	28' 11"	28' 11"	25' 6"	27' 0"	27' 0"	24' 4"
800S250-118	12	33	98' 9"	78' 5"	68' 6"	58' 4"	53' 6"	45' 1"	50' 6"	48' 7"	41' 0"	45' 2"	45' 1"	38' 1"	41' 3"	41' 3"	35' 10"	38' 2"	38' 2"	34' 0"	35' 9"	35' 9"	32' 6"
800S250-118	16	33	87' 6"	71' 3"	62' 3"	50' 6"	48' 7"	41' 0"	43' 9"	43' 9"	37' 3"	39' 1"	39' 1"	34' 7"	35' 9"	35' 9"	32' 6"	33' 1"	33' 1"	30' 11"	30' 11"	30' 11"	29' 7"
800S250-118	24	33	71' 5"	62' 3"	54' 4"	41' 3"	41' 3"	35' 10"	35' 9"	35' 9"	32' 6"	31' 11"	31' 11"	30' 2"	29' 2"	29' 2"	28' 5"	27' 0"	27' 0"	27' 0"	25' 3"	25' 3"	25' 3"
800S250-118	12	50	98' 9"	78' 5"	68' 6"	61' 3"	53' 6"	45' 1"	55' 7"	48' 7"	41' 0"	51' 8"	45' 1"	38' 1"	48' 7"	42' 5"	35' 10"	46' 2"	40' 4"	34' 0"	43' 5"	38' 7"	32' 6"
800S250-118	16	50	89' 9"	71' 3"	62' 3"	55' 7"	48' 7"	41' 0"	50' 6"	44' 2"	37' 3"	46' 11"	41' 0"	34' 7"	43' 5"	38' 7"	32' 6"	40' 2"	36' 8"	30' 11"	37' 7"	35' 0"	29' 7"
800S250-118	24	50	78' 5"	62' 3"	54' 4"	48' 7"	42' 5"	35' 10"	43' 5"	38' 7"	32' 6"	38' 10"	35' 10"	30' 2"	35' 5"	33' 8"	28' 5"	32' 10"	32' 0"	27' 0"	30' 8"	30' 7"	25' 10"
800S300-54	12	33	64' 11"	63' 11"	55' 10"	37' 6"	37' 6"	36' 9"	32' 6"	32' 6"	32' 6"	29' 1"	29' 1"	29' 1"	26' 6"	26' 6"	26' 6"	24' 7"	24' 7"	24' 7"	23' 0"	23' 0"	23' 0"
800S300-54	16	33	56' 3"	56' 3"	50' 9"	32' 6"	32' 6"	32' 6"	28' 1"	28' 1"	28' 1"	25' 2"	25' 2"	25' 2"	23' 0"	23' 0"	23' 0"	21' 3"	21' 3"	21' 3"	19' 11"	19' 11"	19' 11"
800S300-54	24	33	45' 11"	45' 11"	44' 4"	26' 6"	26' 6"	26' 6"	23' 0"	23' 0"	23' 0"	20' 6"	20' 6"	20' 6"	18' 9"	18' 9"	18' 9"	17' 4"	17' 4"	17' 4"	16' 3"	16' 3"	16' 3"
800S300-54	12	50	73' 10"	62' 11"	54' 11"	42' 7"	42' 7"	36' 2"	36' 11"	36' 11"	32' 10"	33' 0"	33' 0"	30' 6"	30' 2"	30' 2"	28' 9"	27' 11"	27' 11"	27' 3"	26' 1"	26' 1"	26' 1"
800S300-54	16	50	63' 11"	57' 2"	49' 11"	36' 11"	36' 11"	32' 10"	32' 0"	32' 0"	29' 10"	28' 7"	28' 7"	27' 9"	26' 1"	26' 1"	26' 1"	24' 2"	24' 2"	24' 2"	22' 7"	22' 7"	22' 7"
800S300-54	24	50	52' 2"	49' 11"	43' 7"	30' 2"	30' 2"	28' 9"	26' 1"	26' 1"	26' 1"	23' 4"	23' 4"	23' 4"	21' 4"	21' 4"	21' 4"	19' 9"	19' 9"	19' 9"	18' 5"	18' 5"	18' 5"
800S300-68	12	33	75' 11"	68' 11"	60' 2"	43' 10"	43' 10"	39' 8"	38' 0"	38' 0"	36' 0"	33' 11"	33' 11"	33' 5"	31' 0"	31' 0"	31' 0"	28' 8"	28' 8"	28' 8"	26' 10"	26' 10"	26' 10"
800S300-68	16	33	65' 9"	62' 7"	54' 8"	38' 0"	38' 0"	36' 0"	32' 11"	32' 11"	32' 9"	29' 5"	29' 5"	29' 5"	26' 10"	26' 10"	26' 10"	24' 10"	24' 10"	24' 10"	23' 3"	23' 3"	23' 3"
800S300-68	24	33	53' 8"	53' 8"	47' 9"	31' 0"	31' 0"	31' 0"	26' 10"	26' 10"	26' 10"	24' 0"	24' 0"	24' 0"	21' 11"	21' 11"	21' 11"	20' 3"	20' 3"	20' 3"	19' 0"	19' 0"	19' 0"
8																							

# Limiting Wall Heights - Curtain Wall 2-span



Stud Member	Spacing, in, oc	Fy, ksi	5 psf			15 psf			20 psf			25 psf			30 psf			35 psf			40 psf		
			L/120	L/240	L/360	L/240	L/360	L/600	L/240	L/360	L/600	L/240	L/360	L/600	L/240	L/360	L/600	L/240	L/360	L/600	L/240	L/360	L/600
800S350-54	12	50	82' 1"	66' 3"	57' 10"	47' 5"	45' 2"	38' 1"	41' 1"	41' 1"	34' 7"	36' 9"	36' 9"	32' 2"	33' 6"	33' 6"	30' 3"	31' 0"	31' 0"	28' 9"	29' 0"	29' 0"	27' 6"
800S350-54	16	50	71' 1"	60' 2"	52' 7"	41' 1"	41' 1"	34' 7"	35' 7"	35' 7"	31' 6"	31' 10"	31' 10"	29' 2"	29' 0"	29' 0"	27' 6"	26' 10"	26' 10"	26' 1"	25' 2"	25' 2"	25' 0"
800S350-54	24	50	58' 1"	52' 7"	45' 11"	33' 6"	33' 6"	30' 3"	29' 0"	29' 0"	27' 6"	26' 0"	26' 0"	25' 6"	23' 8"	23' 8"	23' 8"	21' 11"	21' 11"	21' 11"	20' 6"	20' 6"	20' 6"
800S350-68	12	33	83' 10"	72' 6"	63' 4"	48' 5"	48' 5"	41' 8"	41' 11"	41' 11"	37' 11"	37' 6"	37' 6"	35' 2"	34' 3"	34' 3"	33' 1"	31' 8"	31' 8"	31' 5"	29' 8"	29' 8"	29' 8"
800S350-68	16	33	72' 7"	65' 10"	57' 6"	41' 11"	41' 11"	37' 11"	36' 4"	36' 4"	34' 5"	32' 6"	32' 6"	32' 0"	29' 8"	29' 8"	29' 8"	27' 5"	27' 5"	27' 5"	25' 8"	25' 8"	25' 8"
800S350-68	24	33	59' 3"	57' 6"	50' 3"	34' 3"	34' 3"	33' 1"	29' 8"	29' 8"	29' 8"	26' 6"	26' 6"	26' 6"	24' 2"	24' 2"	24' 2"	22' 5"	22' 5"	22' 5"	21' 0"	21' 0"	21' 0"
800S350-68	12	50	91' 0"	72' 3"	63' 1"	55' 5"	49' 3"	41' 7"	48' 0"	44' 9"	37' 9"	42' 11"	41' 7"	35' 1"	39' 2"	39' 1"	33' 0"	36' 4"	36' 4"	31' 4"	33' 11"	33' 11"	30' 0"
800S350-68	16	50	82' 8"	65' 7"	57' 4"	48' 0"	44' 9"	37' 9"	41' 7"	40' 8"	34' 4"	37' 2"	37' 2"	31' 10"	33' 11"	33' 11"	30' 0"	31' 5"	31' 5"	28' 6"	29' 5"	29' 5"	27' 3"
800S350-68	24	50	67' 11"	57' 4"	50' 1"	39' 2"	39' 1"	33' 0"	33' 11"	33' 11"	30' 0"	30' 4"	30' 4"	27' 10"	27' 9"	27' 9"	26' 2"	25' 8"	25' 8"	24' 10"	24' 0"	24' 0"	23' 9"
800S350-97	12	33	101' 11"	80' 11"	70' 8"	60' 7"	55' 2"	46' 6"	52' 6"	50' 2"	42' 3"	46' 11"	46' 6"	39' 3"	42' 10"	42' 10"	36' 11"	39' 8"	39' 8"	35' 1"	37' 1"	37' 1"	33' 7"
800S350-97	16	33	90' 10"	73' 6"	64' 2"	52' 6"	50' 2"	42' 3"	45' 5"	45' 5"	38' 5"	40' 8"	40' 8"	35' 8"	37' 1"	37' 1"	33' 7"	34' 4"	34' 4"	31' 11"	32' 1"	32' 1"	30' 6"
800S350-97	24	33	74' 2"	64' 2"	56' 1"	42' 10"	42' 10"	36' 11"	37' 1"	37' 1"	33' 7"	33' 2"	33' 2"	31' 2"	30' 3"	30' 3"	29' 4"	28' 0"	28' 0"	27' 10"	26' 3"	26' 3"	26' 3"
800S350-97	12	50	101' 11"	80' 11"	70' 8"	63' 2"	55' 2"	46' 6"	57' 5"	50' 2"	42' 3"	53' 3"	46' 6"	39' 3"	49' 6"	43' 10"	36' 11"	45' 10"	41' 7"	35' 1"	42' 11"	39' 9"	33' 7"
800S350-97	16	50	92' 7"	73' 6"	64' 2"	57' 5"	50' 2"	42' 3"	52' 2"	45' 7"	38' 5"	47' 0"	42' 3"	35' 8"	42' 11"	39' 9"	33' 7"	39' 9"	37' 10"	31' 11"	37' 2"	36' 2"	30' 6"
800S350-97	24	50	80' 11"	64' 2"	56' 1"	49' 6"	43' 10"	36' 11"	42' 11"	39' 9"	33' 7"	38' 4"	36' 11"	31' 2"	35' 0"	34' 9"	29' 4"	32' 5"	32' 5"	27' 10"	30' 4"	30' 4"	26' 8"
800S350-118	12	33	108' 3"	85' 11"	75' 0"	66' 10"	58' 7"	49' 5"	57' 11"	53' 3"	44' 11"	51' 10"	49' 5"	41' 8"	47' 3"	46' 6"	39' 3"	43' 9"	43' 9"	37' 3"	40' 11"	40' 11"	35' 8"
800S350-118	16	33	98' 4"	78' 0"	68' 2"	57' 11"	53' 3"	44' 11"	50' 2"	48' 4"	40' 10"	44' 10"	44' 10"	37' 10"	40' 11"	40' 11"	35' 8"	37' 11"	37' 11"	33' 10"	35' 6"	35' 6"	32' 5"
800S350-118	24	33	81' 11"	68' 2"	59' 7"	47' 3"	46' 6"	39' 3"	40' 11"	40' 11"	35' 8"	36' 7"	36' 7"	33' 1"	33' 5"	33' 5"	31' 2"	30' 11"	30' 11"	29' 7"	28' 11"	28' 11"	28' 3"
800S350-118	12	50	108' 3"	85' 11"	75' 0"	67' 1"	58' 7"	49' 5"	60' 11"	53' 3"	44' 11"	56' 7"	49' 5"	41' 8"	53' 3"	46' 6"	39' 3"	50' 7"	44' 2"	37' 3"	48' 4"	42' 3"	35' 8"
800S350-118	16	50	98' 4"	78' 0"	68' 2"	60' 11"	53' 3"	44' 11"	55' 4"	48' 4"	40' 10"	51' 5"	44' 11"	37' 10"	48' 4"	42' 3"	35' 8"	45' 1"	40' 2"	33' 10"	42' 2"	38' 5"	32' 5"
800S350-118	24	50	85' 11"	68' 2"	59' 7"	53' 3"	46' 6"	39' 3"	48' 4"	42' 3"	35' 8"	43' 7"	39' 3"	33' 1"	39' 9"	36' 11"	31' 2"	36' 10"	35' 1"	29' 7"	34' 5"	33' 6"	28' 3"

See Curtain Wall Limiting Heights Table Notes on page 35.

## Combined Axial and Lateral Load Table Notes

1. Allowable axial loads listed in kips (1 kip = 1000 pounds).
2. Allowable axial loads determined in accordance with section C5, AISI S100-07, with section D4 used for treatment of punchouts, and assumes that all axial loads pass through the geometric center of the section.
3. Listed lateral pressures and axial loads have not been modified for 1/3 stress increase based upon wind/earthquake or multiple transient loads. Increased loads may be possible depending upon the actual load combinations for the specific condition under investigation. Verifying calculations for those specific conditions would be required to be performed by a qualified engineer.
4. Allowable axial loads based upon lateral and torsional bracing at a maximum spacing of 4 feet on center.
5. With the exception of 5 psf interior walls, wind pressures have been multiplied by 0.7 for deflection determination in accordance with footnote "f" of IBC table 1604.3
6. Studs are assumed to be adequately braced at a maximum spacing of  $L_u$  to develop full allowable moment,  $M_a$ .
7. End supports have not been checked for web crippling. Refer to web crippling capacity tables.
8. All tables are based upon simple (single) span.
9. Cells marked with an "\*" have  $h/t > 200$ , thus requiring bearing stiffeners. Cells are left blank when  $h/t > 260$ .
10. Cells marked with an a, b, c, d, e, or f meets L/720, L/600, L/480, L/360, L/240, or L/120 respectively. Blank cells do not meet L/120.

# Combined Axial and Lateral Load Tables



## 5 psf Lateral Load (Interior Walls Only)

Wall Height (ft)	Spacing (in.) o.c.	350S162-(mils)					362S137-(mils)				362S162-(mils)				
		33 ksi		50 ksi			33 ksi		50 ksi		33 ksi		50 ksi		
		33	43	54	68	97	33	43	54	68	33	43	54	68	97
8	12	1.82 a	2.57 a	3.97 a	5.08 a	7.36 a	1.5 a	2.15 a	3.33 a	4.37 a	1.88 a	2.65 a	4.16 a	5.39 a	7.79 a
	16	1.74 a	2.49 a	3.9 a	5.01 a	7.26 a	1.43 a	2.08 a	3.27 a	4.31 a	1.81 a	2.58 a	4.09 a	5.32 a	7.68 a
	24	1.6 a	2.34 a	3.77 a	4.88 a	7.05 a	1.3 a	1.95 a	3.15 a	4.18 a	1.66 a	2.43 a	3.95 a	5.18 a	7.48 a
9	12	1.68 a	2.39 a	3.65 a	4.68 a	6.73 a	1.39 a	2.02 a	3.12 a	4.08 a	1.74 a	2.49 a	3.86 a	4.99 a	7.17 a
	16	1.58 a	2.3 a	3.57 a	4.59 a	6.6 a	1.31 a	1.93 a	3.04 a	4 a	1.65 a	2.39 a	3.78 a	4.91 a	7.04 a
	24	1.4 a	2.11 a	3.4 a	4.42 a	6.35 a	1.14 a	1.77 a	2.89 a	3.84 a	1.47 a	2.21 a	3.61 a	4.73 a	6.79 a
10	12	1.52 a	2.2 a	3.3 a	4.23 a	6.05 a	1.27 a	1.87 a	2.86 a	3.74 a	1.59 a	2.3 a	3.54 a	4.55 a	6.5 a
	16	1.41 a	2.08 a	3.2 a	4.13 a	5.9 a	1.17 a	1.77 a	2.77 a	3.64 a	1.48 a	2.19 a	3.43 a	4.45 a	6.35 a
	24	1.2 a	1.87 a	3 a	3.93 a	5.61 a	0.98 a	1.57 a	2.59 a	3.45 a	1.28 a	1.97 a	3.23 a	4.25 a	6.05 a
12	12	1.19 a	1.77 a	2.57 a	3.32 a	4.65 a	1 a	1.53 a	2.29 a	2.99 a	1.26 a	1.88 a	2.8 a	3.61 a	5.08 a
	16	1.05 b	1.63 a	2.45 a	3.19 a	4.47 a	0.88 b	1.4 a	2.17 a	2.86 a	1.13 a	1.74 a	2.67 a	3.48 a	4.89 a
	24	0.81 d	1.37 c	2.22 a	2.96 a	4.14 a	0.65 d	1.15 c	1.96 b	2.64 a	0.88 c	1.47 b	2.44 a	3.24 a	4.54 a
14	12	0.87 c	1.35 a	1.96 a	2.55 a	3.53 a	0.74 c	1.18 b	1.77 a	2.31 a	0.94 b	1.46 a	2.15 a	2.79 a	3.86 a
	16	0.73 d	1.19 c	1.83 b	2.42 a	3.34 a	0.6 d	1.03 c	1.64 b	2.18 a	0.79 d	1.3 b	2.01 a	2.65 a	3.67 a
	24	0.48 e	0.92 d	1.6 d	2.17 c	3 a	0.36 e	0.77 e	1.41 d	1.94 c	0.53 e	1.01 d	1.77 c	2.4 b	3.31 a
16	12	0.6 d	0.98 c	1.49 b	1.96 a	2.68 a	0.51 d	0.86 d	1.34 c	1.78 b	0.67 d	1.08 c	1.64 b	2.15 a	2.95 a
	16	0.46 e	0.82 d	1.36 d	1.83 c	2.5 a	0.37 e	0.71 e	1.22 d	1.64 c	0.52 e	0.92 d	1.5 c	2.01 b	2.75 a
	24	0.22 f	0.56 e	1.14 e	1.59 d	2.17 c	0.14 f	0.46 f	1 e	1.41 e	0.27 f	0.64 e	1.26 e	1.76 d	2.4 c

## 5 psf Lateral Load (Interior Walls Only)

Wall Height (ft)	Spacing (in.) o.c.	362S200-(mils)					400S137-(mils)				400S162-(mils)				
		33 ksi		50 ksi			33 ksi		50 ksi		33 ksi		50 ksi		
		33	43	54	68	97	33	43	54	68	33	43	54	68	97
8	12	2.26 a	3.29 a	5.19 a	6.69 a	9.45 a	1.62 a	2.32 a	3.68 a	4.99 a	2.04 a	2.88 a	4.62 a	6.19 a	9.01 a
	16	2.18 a	3.21 a	5.11 a	6.61 a	9.34 a	1.56 a	2.26 a	3.62 a	4.93 a	1.97 a	2.81 a	4.56 a	6.12 a	8.9 a
	24	2.03 a	3.05 a	4.96 a	6.46 a	9.12 a	1.43 a	2.14 a	3.51 a	4.8 a	1.83 a	2.67 a	4.43 a	5.99 a	8.7 a
9	12	2.11 a	3.08 a	4.8 a	6.17 a	8.69 a	1.53 a	2.22 a	3.5 a	4.8 a	1.92 a	2.73 a	4.37 a	5.86 a	8.46 a
	16	2.01 a	2.98 a	4.71 a	6.08 a	8.56 a	1.45 a	2.14 a	3.43 a	4.72 a	1.83 a	2.65 a	4.29 a	5.78 a	8.33 a
	24	1.82 a	2.78 a	4.52 a	5.89 a	8.29 a	1.29 a	1.98 a	3.28 a	4.56 a	1.66 a	2.47 a	4.12 a	5.61 a	8.07 a
10	12	1.94 a	2.85 a	4.38 a	5.62 a	7.88 a	1.42 a	2.09 a	3.3 a	4.5 a	1.78 a	2.57 a	4.08 a	5.48 a	7.83 a
	16	1.82 a	2.72 a	4.26 a	5.5 a	7.72 a	1.33 a	1.99 a	3.2 a	4.4 a	1.68 a	2.46 a	3.98 a	5.38 a	7.67 a
	24	1.6 a	2.49 a	4.04 a	5.28 a	7.4 a	1.14 a	1.8 a	3.03 a	4.2 a	1.48 a	2.25 a	3.78 a	5.17 a	7.36 a
12	12	1.58 a	2.34 a	3.47 a	4.45 a	6.19 a	1.18 a	1.78 a	2.79 a	3.76 a	1.48 a	2.19 a	3.42 a	4.56 a	6.41 a
	16	1.42 a	2.18 a	3.33 a	4.31 a	5.99 a	1.05 a	1.65 a	2.66 a	3.63 a	1.34 a	2.04 a	3.28 a	4.42 a	6.2 a
	24	1.15 c	1.89 a	3.06 a	4.05 a	5.62 a	0.82 c	1.4 b	2.43 a	3.38 a	1.08 b	1.77 a	3.03 a	4.15 a	5.82 a
14	12	1.2 a	1.83 a	2.66 a	3.45 a	4.75 a	0.91 b	1.44 a	2.24 a	2.98 a	1.15 a	1.77 a	2.72 a	3.59 a	4.99 a
	16	1.03 c	1.65 b	2.5 a	3.29 a	4.53 a	0.77 c	1.28 b	2.1 a	2.83 a	1 c	1.6 a	2.57 a	3.43 a	4.76 a
	24	0.74 d	1.34 d	2.23 c	3.01 a	4.14 a	0.51 e	1 d	1.84 c	2.56 b	0.72 d	1.3 c	2.29 b	3.14 a	4.35 a
16	12	0.86 c	1.38 b	2.03 a	2.67 a	3.66 a	0.66 d	1.1 c	1.76 a	2.32 a	0.86 c	1.38 b	2.13 a	2.8 a	3.85 a
	16	0.7 d	1.2 c	1.88 c	2.51 a	3.44 a	0.51 e	0.94 d	1.61 c	2.17 b	0.7 d	1.2 c	1.97 b	2.64 a	3.62 a
	24	0.41 e	0.89 e	1.61 d	2.24 c	3.06 b	0.25 f	0.65 e	1.35 d	1.89 d	0.41 e	0.88 e	1.69 d	2.34 c	3.21 b

See Combined Axial and Lateral Load Table Notes on page 47.

# Combined Axial and Lateral Load Tables



## 5 psf Lateral Load (Interior Walls Only)

Wall Height (ft)	Spacing (in.) o.c.	400S200-(mils)					550S162-(mils)					600S137-(mils)				
		33 ksi		50 ksi			33 ksi		50 ksi			33 ksi		50 ksi		
		33	43	54	68	97	33	43	54	68	97	33	43	54	68	97
8	12	2.43 a	3.56 a	5.78 a	7.64 a	10.94 a	2.39 a	3.37 a	5.62 a	7.44 a	11.24 a	1.77 a	2.51 a	3.81 a	5.05 a	7.54 a
	16	2.35 a	3.48 a	5.71 a	7.57 a	10.83 a	2.34 a	3.32 a	5.57 a	7.4 a	11.16 a	1.73 a	2.47 a	3.78 a	5.02 a	7.51 a
	24	2.21 a	3.34 a	5.56 a	7.42 a	10.61 a	2.24 a	3.22 a	5.47 a	7.3 a	11.02 a	1.65 a	2.39 a	3.72 a	4.96 a	7.45 a
9	12	2.29 a	3.38 a	5.44 a	7.2 a	10.24 a	2.32 a	3.29 a	5.54 a	7.4 a	11.16 a	1.74 a	2.47 a	3.78 a	5.02 a	7.51 a
	16	2.2 a	3.28 a	5.35 a	7.11 a	10.1 a	2.26 a	3.23 a	5.48 a	7.33 a	11.07 a	1.69 a	2.43 a	3.74 a	4.98 a	7.47 a
	24	2.02 a	3.09 a	5.16 a	6.92 a	9.83 a	2.13 a	3.1 a	5.35 a	7.21 a	10.87 a	1.59 a	2.33 a	3.66 a	4.9 a	7.39 a
10	12	2.15 a	3.17 a	5.06 a	6.71 a	9.46 a	2.25 a	3.2 a	5.4 a	7.33 a	11.07 a	1.7 a	2.44 a	3.75 a	4.99 a	7.48 a
	16	2.03 a	3.05 a	4.94 a	6.59 a	9.29 a	2.16 a	3.12 a	5.32 a	7.24 a	10.94 a	1.63 a	2.37 a	3.7 a	4.94 a	7.42 a
	24	1.82 a	2.83 a	4.72 a	6.36 a	8.96 a	2 a	2.96 a	5.16 a	7.08 a	10.69 a	1.51 a	2.25 a	3.59 a	4.84 a	7.32 a
12	12	1.81 a	2.7 a	4.21 a	5.58 a	7.77 a	2.05 a	2.98 a	5.01 a	6.84 a	10.78 a	1.6 a	2.34 a	3.67 a	4.91 a	7.39 a
	16	1.66 a	2.55 a	4.06 a	5.42 a	7.54 a	1.93 a	2.86 a	4.9 a	6.72 a	10.57 a	1.51 a	2.25 a	3.59 a	4.83 a	7.3 a
	24	1.38 a	2.25 a	3.77 a	5.13 a	7.12 a	1.71 a	2.63 a	4.67 a	6.48 a	10.17 a	1.33 a	2.07 a	3.43 a	4.67 a	7.14 a
14	12	1.45 a	2.2 a	3.35 a	4.4 a	6.08 a	1.81 a	2.69 a	4.51 a	6.19 a	9.64 a	1.48 a	2.22 a	3.55 a	4.79 a	7.26 a
	16	1.27 b	2.02 a	3.17 a	4.23 a	5.83 a	1.66 a	2.53 a	4.35 a	6.02 a	9.36 a	1.36 a	2.09 a	3.44 a	4.67 a	7.13 a
	24	0.96 d	1.68 b	2.86 a	3.9 a	5.38 a	1.37 a	2.23 a	4.05 a	5.7 a	8.83 a	1.11 a	1.85 a	3.21 a	4.45 a	6.89 a
16	12	1.1 b	1.73 a	2.62 a	3.44 a	4.72 a	1.53 a	2.35 a	3.91 a	5.4 a	8.31 a	1.34 a	2.07 a	3.4 a	4.63 a	7.07 a
	16	0.92 d	1.53 b	2.44 a	3.26 a	4.47 a	1.35 a	2.16 a	3.72 a	5.2 a	7.97 a	1.18 a	1.9 a	3.24 a	4.47 a	6.89 a
	24	0.6 e	1.19 d	2.13 c	2.93 b	4.02 a	1.02 c	1.8 a	3.37 a	4.81 a	7.34 a	0.87 c	1.59 a	2.95 a	4.16 a	6.55 a

## 5 psf Lateral Load (Interior Walls Only)

Wall Height (ft)	Spacing (in.) o.c.	600S162-(mils)					600S200-(mils)					800S137-(mils)				
		33 ksi		50 ksi			33 ksi		50 ksi			33 ksi		50 ksi		
		33	43	54	68	97	33	43	54	68	97	33	43	54	68	97
8	12	2.42 a	3.39 a	5.6 a	7.44 a	11.38 a	2.86 a	4.31 a	7.46 a	9.96 a	15.63 a	1.71 a*	2.43 a	3.57 a	4.75 a	7.23 a
	16	2.37 a	3.34 a	5.56 a	7.39 a	11.34 a	2.81 a	4.26 a	7.41 a	9.91 a	15.57 a	1.68 a*	2.4 a	3.55 a	4.73 a	7.21 a
	24	2.28 a	3.25 a	5.47 a	7.31 a	11.25 a	2.72 a	4.16 a	7.31 a	9.81 a	15.47 a	1.63 a*	2.35 a	3.5 a	4.68 a	7.17 a
9	12	2.38 a	3.35 a	5.56 a	7.4 a	11.34 a	2.8 a	4.23 a	7.31 a	9.78 a	15.36 a	1.69 a*	2.4 a	3.55 a	4.73 a	7.21 a
	16	2.32 a	3.29 a	5.51 a	7.34 a	11.28 a	2.74 a	4.16 a	7.25 a	9.72 a	15.29 a	1.65 a*	2.37 a	3.52 a	4.7 a	7.19 a
	24	2.2 a	3.17 a	5.4 a	7.23 a	11.16 a	2.62 a	4.03 a	7.12 a	9.58 a	15.15 a	1.58 a*	2.3 a	3.47 a	4.65 a	7.14 a
10	12	2.33 a	3.3 a	5.51 a	7.35 a	11.28 a	2.73 a	4.13 a	7.14 a	9.56 a	15.03 a	1.66 a*	2.38 a	3.53 a	4.71 a	7.2 a
	16	2.25 a	3.23 a	5.44 a	7.28 a	11.21 a	2.65 a	4.05 a	7.05 a	9.48 a	14.94 a	1.62 a*	2.34 a	3.49 a	4.68 a	7.16 a
	24	2.1 a	3.08 a	5.3 a	7.14 a	11.06 a	2.5 a	3.88 a	6.89 a	9.31 a	14.77 a	1.53 a*	2.26 a	3.43 a	4.61 a	7.1 a
12	12	2.17 a	3.13 a	5.33 a	7.22 a	11.14 a	2.55 a	3.88 a	6.67 a	8.98 a	14.16 a	1.6 a*	2.32 a	3.48 a	4.66 a	7.15 a
	16	2.06 a	3.02 a	5.22 a	7.11 a	11.02 a	2.44 a	3.76 a	6.55 a	8.85 a	14.02 a	1.54 a*	2.26 a	3.43 a	4.61 a	7.1 a
	24	1.85 a	2.81 a	5.01 a	6.9 a	10.78 a	2.22 a	3.52 a	6.31 a	8.61 a	13.76 a	1.41 a*	2.14 a	3.33 a	4.52 a	7.01 a
14	12	1.95 a	2.89 a	4.91 a	6.73 a	10.87 a	2.32 a	3.56 a	6.07 a	8.22 a	13.01 a	1.53 a*	2.25 a	3.42 a	4.6 a	7.09 a
	16	1.81 a	2.74 a	4.76 a	6.58 a	10.69 a	2.17 a	3.4 a	5.91 a	8.05 a	12.82 a	1.44 a*	2.16 a	3.35 a	4.53 a	7.03 a
	24	1.54 a	2.46 a	4.47 a	6.28 a	10.33 a	1.89 a	3.09 a	5.59 a	7.72 a	12.44 a	1.27 a*	2 a	3.21 a	4.4 a	6.9 a
16	12	1.71 a	2.58 a	4.38 a	6.05 a	9.77 a	2.05 a	3.18 a	5.38 a	7.33 a	11.65 a	1.44 a*	2.16 a	3.34 a	4.53 a	7.02 a
	16	1.53 a	2.4 a	4.19 a	5.85 a	9.53 a	1.87 a	2.98 a	5.18 a	7.12 a	11.4 a	1.32 a*	2.05 a	3.25 a	4.44 a	6.93 a
	24	1.2 b	2.06 a	3.84 a	5.48 a	9.07 a	1.52 a	2.61 a	4.79 a	6.71 a	10.92 a	1.1 a*	1.83 a	3.06 a	4.26 a	6.75 a

See Combined Axial and Lateral Load Table Notes on page 47.

## 5 psf Lateral Load (Interior Walls Only)

Wall Height (ft)	Spacing (in.) o.c.	800S162-(mils)					800S200-(mils)				
		33 ksi		50 ksi			33 ksi		50 ksi		
		33	43	54	68	97	33	43	54	68	97
8	12	2.39 a*	3.35 a	5.43 a	7.25 a	11.26 a	2.97 a*	4.47 a	7.74 a	10.28 a	15.97 a
	16	2.36 a*	3.32 a	5.4 a	7.22 a	11.24 a	2.93 a*	4.44 a	7.71 a	10.24 a	15.94 a
	24	2.29 a*	3.26 a	5.35 a	7.16 a	11.18 a	2.86 a*	4.36 a	7.64 a	10.17 a	15.87 a
9	12	2.37 a*	3.33 a	5.41 a	7.22 a	11.24 a	2.94 a*	4.44 a	7.71 a	10.25 a	15.94 a
	16	2.32 a*	3.29 a	5.37 a	7.19 a	11.21 a	2.89 a*	4.39 a	7.67 a	10.2 a	15.9 a
	24	2.24 a*	3.21 a	5.3 a	7.12 a	11.14 a	2.8 a*	4.3 a	7.57 a	10.11 a	15.81 a
10	12	2.33 a*	3.3 a	5.38 a	7.2 a	11.21 a	2.9 a*	4.41 a	7.68 a	10.21 a	15.91 a
	16	2.28 a*	3.25 a	5.34 a	7.15 a	11.17 a	2.85 a*	4.35 a	7.62 a	10.16 a	15.85 a
	24	2.18 a*	3.15 a	5.24 a	7.06 a	11.08 a	2.73 a*	4.23 a	7.5 a	10.04 a	15.74 a
12	12	2.26 a*	3.22 a	5.31 a	7.13 a	11.15 a	2.82 a*	4.32 a	7.59 a	10.12 a	15.81 a
	16	2.18 a*	3.15 a	5.24 a	7.06 a	11.08 a	2.74 a*	4.23 a	7.5 a	10.04 a	15.73 a
	24	2.03 a*	3 a	5.11 a	6.93 a	10.95 a	2.57 a*	4.06 a	7.32 a	9.86 a	15.56 a
14	12	2.17 a*	3.13 a	5.22 a	7.04 a	11.06 a	2.69 a*	4.16 a	7.36 a	9.94 a	15.69 a
	16	2.06 a*	3.03 a	5.13 a	6.95 a	10.96 a	2.58 a*	4.04 a	7.24 a	9.81 a	15.56 a
	24	1.85 a*	2.83 a	4.94 a	6.76 a	10.77 a	2.35 a*	3.8 a	6.99 a	9.57 a	15.31 a
16	12	2.05 a*	3.02 a	5.11 a	6.93 a	10.94 a	2.52 a*	3.93 a	6.95 a	9.42 a	15.1 a
	16	1.92 a*	2.89 a	4.98 a	6.8 a	10.81 a	2.37 a*	3.77 a	6.78 a	9.26 a	14.93 a
	24	1.64 a*	2.62 a	4.72 a	6.54 a	10.54 a	2.09 a*	3.46 a	6.46 a	8.93 a	14.59 a

See Combined Axial and Lateral Load Table Notes on page 47.



# Combined Axial and Lateral Load Tables



## 15 psf Lateral Load

Wall Height (ft)	Spacing (in.) o.c.	350S162-(mils)					362S137-(mils)				362S162-(mils)				
		33 ksi		50 ksi			33 ksi		50 ksi		33 ksi		50 ksi		
		33	43	54	68	97	33	43	54	68	33	43	54	68	97
8	12	1.38 a	2.13 a	3.57 a	4.68 a	6.76 a	1.11 a	1.75 a	2.97 a	4 a	1.45 a	2.22 a	3.75 a	4.98 a	7.18 a
	16	1.18 a	1.92 a	3.38 a	4.48 a	6.47 a	0.93 a	1.57 a	2.8 a	3.82 a	1.25 a	2.02 a	3.56 a	4.78 a	6.89 a
	24	0.81 a	1.53 a	3.01 a	4.11 a	5.92 a	0.59 b	1.21 a	2.47 a	3.47 a	0.88 a	1.63 a	3.2 a	4.41 a	6.34 a
9	12	1.15 a	1.85 a	3.16 a	4.18 a	5.99 a	0.92 a	1.53 a	2.67 a	3.61 a	1.22 a	1.95 a	3.37 a	4.49 a	6.43 a
	16	0.92 a	1.61 a	2.93 a	3.95 a	5.65 a	0.71 a	1.31 a	2.46 a	3.39 a	0.99 a	1.71 a	3.14 a	4.25 a	6.08 a
	24	0.49 c	1.16 b	2.51 a	3.51 a	5.01 a	0.32 c	0.89 b	2.08 a	2.98 a	0.56 c	1.26 a	2.71 a	3.8 a	5.43 a
10	12	0.92 a	1.57 a	2.73 a	3.65 a	5.2 a	0.72 b	1.29 a	2.34 a	3.19 a	0.99 a	1.67 a	2.95 a	3.96 a	5.63 a
	16	0.66 c	1.29 a	2.48 a	3.39 a	4.82 a	0.49 c	1.04 b	2.1 a	2.94 a	0.73 b	1.4 a	2.69 a	3.69 a	5.24 a
	24	0.2 d	0.8 c	2.02 b	2.91 a	4.12 a	0.06 e	0.58 d	1.68 c	2.48 b	0.26 d	0.89 c	2.22 b	3.19 a	4.52 a
12	12	0.49 d	1.02 c	1.92 b	2.64 a	3.69 a	0.35 d	0.83 c	1.67 b	2.33 a	0.55 d	1.12 b	2.12 a	2.91 a	4.07 a
	16	0.21 e	0.72 d	1.65 c	2.35 b	3.29 a	0.09 e	0.54 d	1.41 c	2.05 b	0.27 e	0.81 d	1.83 c	2.61 b	3.64 a
	24		0.18 e	1.17 e	1.85 d	2.57 c		0.04 e	0.95 e	1.55 d		0.26 e	1.32 d	2.07 d	2.89 b
14	12	0.16 e	0.57 e	1.3 d	1.85 c	2.55 a	0.06 e	0.43 e	1.12 d	1.63 c	0.2 e	0.65 d	1.44 d	2.06 c	2.84 a
	16		0.27 e	1.03 e	1.57 d	2.16 c		0.14 e	0.86 e	1.35 d		0.33 e	1.16 e	1.76 d	2.42 c
	24			0.56 f	1.07 e	1.47 d			0.41 f	0.86 e			0.67 f	1.23 e	1.7 d
16	12		0.23 f	0.84 e	1.28 d	1.74 c		0.13 f	0.71 e	1.1 e		0.29 e	0.95 e	1.43 d	1.95 c
	16			0.59 f	1.01 e	1.37 d			0.46 f	0.84 e			0.68 f	1.15 e	1.56 d
	24			0.15 f	0.54 f	0.74 e			0.04 f	0.38 f			0.22 f	0.65 f	0.89 e

## 15 psf Lateral Load

Wall Height (ft)	Spacing (in.) o.c.	362S200-(mils)					400S137-(mils)				400S162-(mils)				
		33 ksi		50 ksi			33 ksi		50 ksi		33 ksi		50 ksi		
		33	43	54	68	97	33	43	54	68	33	43	54	68	97
8	12	1.8 a	2.82 a	4.74 a	6.24 a	8.81 a	1.25 a	1.95 a	3.34 a	4.62 a	1.63 a	2.47 a	4.24 a	5.79 a	8.41 a
	16	1.58 a	2.59 a	4.52 a	6.03 a	8.5 a	1.08 a	1.78 a	3.17 a	4.45 a	1.44 a	2.28 a	4.05 a	5.6 a	8.12 a
	24	1.18 a	2.17 a	4.11 a	5.62 a	7.92 a	0.75 a	1.43 a	2.85 a	4.11 a	1.08 a	1.9 a	3.69 a	5.22 a	7.57 a
9	12	1.55 a	2.5 a	4.24 a	5.62 a	7.9 a	1.07 a	1.75 a	3.07 a	4.33 a	1.42 a	2.23 a	3.89 a	5.36 a	7.7 a
	16	1.29 a	2.23 a	3.98 a	5.37 a	7.54 a	0.87 a	1.53 a	2.87 a	4.1 a	1.19 a	1.99 a	3.66 a	5.12 a	7.35 a
	24	0.82 b	1.73 a	3.5 a	4.88 a	6.84 a	0.48 b	1.12 a	2.48 a	3.68 a	0.76 b	1.54 a	3.23 a	4.66 a	6.68 a
10	12	1.28 a	2.16 a	3.72 a	4.97 a	6.96 a	0.88 a	1.53 a	2.77 a	3.93 a	1.19 a	1.96 a	3.5 a	4.87 a	6.92 a
	16	1 a	1.85 a	3.43 a	4.68 a	6.54 a	0.65 b	1.27 a	2.53 a	3.66 a	0.93 a	1.68 a	3.23 a	4.58 a	6.51 a
	24	0.48 c	1.3 b	2.89 a	4.13 a	5.77 a	0.21 d	0.81 c	2.09 b	3.17 a	0.45 c	1.18 b	2.74 a	4.05 a	5.74 a
12	12	0.78 c	1.5 a	2.7 a	3.68 a	5.11 a	0.51 c	1.06 b	2.12 a	3.03 a	0.74 b	1.41 a	2.68 a	3.77 a	5.28 a
	16	0.46 d	1.15 c	2.37 b	3.36 a	4.65 a	0.23 d	0.76 c	1.83 b	2.72 a	0.44 d	1.08 c	2.36 b	3.43 a	4.8 a
	24		0.54 d	1.8 d	2.77 c	3.83 a		0.22 e	1.32 d	2.16 c		0.49 d	1.79 d	2.82 c	3.94 a
14	12	0.36 e	0.93 d	1.86 c	2.64 b	3.63 a	0.18 e	0.63 d	1.5 c	2.19 b	0.35 d	0.9 c	1.91 c	2.75 a	3.8 a
	16	0.03 e	0.58 e	1.54 d	2.31 c	3.18 b		0.31 e	1.2 d	1.87 d	0.04 e	0.55 d	1.59 d	2.4 c	3.32 a
	24			0.99 e	1.74 e	2.38 d			0.68 e	1.31 e			1.02 e	1.79 d	2.47 c
16	12	0.05 f	0.5 e	1.26 d	1.88 d	2.57 b		0.28 e	1.01 e	1.54 d	0.05 e	0.49 e	1.32 d	1.96 c	2.68 b
	16		0.16 f	0.95 e	1.56 e	2.13 d			0.72 e	1.22 e		0.14 e	1 e	1.62 d	2.22 c
	24			0.43 f	1.02 f	1.39 e			0.22 f	0.69 f			0.46 f	1.05 e	1.43 e

See Combined Axial and Lateral Load Table Notes on page 47.

# Combined Axial and Lateral Load Tables



## 15 psf Lateral Load

Wall Height (ft)	Spacing (in.) o.c.	400S200-(mils)					550S162-(mils)					600S137-(mils)				
		33 ksi		50 ksi			33 ksi		50 ksi			33 ksi		50 ksi		
		33	43	54	68	97	33	43	54	68	97	33	43	54	68	97
8	12	2 a	3.12 a	5.35 a	7.2 a	10.3 a	2.08 a	3.07 a	5.33 a	7.16 a	10.8 a	1.54 a	2.28 a	3.62 a	4.87 a	7.35 a
	16	1.79 a	2.9 a	5.14 a	6.99 a	9.99 a	1.93 a	2.92 a	5.19 a	7.02 a	10.58 a	1.42 a	2.17 a	3.53 a	4.77 a	7.25 a
	24	1.4 a	2.49 a	4.73 a	6.58 a	9.39 a	1.64 a	2.62 a	4.91 a	6.74 a	10.15 a	1.19 a	1.95 a	3.34 a	4.59 a	7.06 a
9	12	1.76 a	2.82 a	4.9 a	6.65 a	9.43 a	1.94 a	2.91 a	5.17 a	7.02 a	10.58 a	1.44 a	2.18 a	3.54 a	4.78 a	7.26 a
	16	1.51 a	2.56 a	4.64 a	6.38 a	9.05 a	1.75 a	2.72 a	4.98 a	6.84 a	10.3 a	1.29 a	2.04 a	3.41 a	4.66 a	7.13 a
	24	1.05 a	2.07 a	4.15 a	5.88 a	8.33 a	1.38 a	2.35 a	4.62 a	6.47 a	9.74 a	1.01 a	1.76 a	3.17 a	4.42 a	6.89 a
10	12	1.51 a	2.51 a	4.4 a	6.03 a	8.49 a	1.77 a	2.73 a	4.93 a	6.84 a	10.32 a	1.33 a	2.07 a	3.44 a	4.68 a	7.16 a
	16	1.23 a	2.2 a	4.1 a	5.72 a	8.04 a	1.54 a	2.5 a	4.7 a	6.61 a	9.96 a	1.15 a	1.9 a	3.29 a	4.53 a	7 a
	24	0.7 b	1.64 a	3.54 a	5.14 a	7.21 a	1.1 a	2.05 a	4.26 a	6.15 a	9.25 a	0.8 a	1.55 a	2.98 a	4.23 a	6.68 a
12	12	1.01 b	1.85 a	3.38 a	4.72 a	6.55 a	1.39 a	2.3 a	4.34 a	6.13 a	9.59 a	1.07 a	1.81 a	3.2 a	4.44 a	6.89 a
	16	0.67 c	1.48 b	3.02 a	4.34 a	6.02 a	1.08 a	1.99 a	4.02 a	5.8 a	9.05 a	0.82 a	1.56 a	2.97 a	4.21 a	6.65 a
	24	0.07 e	0.84 d	2.39 c	3.67 b	5.08 a	0.52 b	1.4 a	3.43 a	5.16 a	8.02 a	0.35 b	1.08 a	2.54 a	3.78 a	6.18 a
14	12	0.55 d	1.24 c	2.44 b	3.47 a	4.78 a	0.97 a	1.82 a	3.63 a	5.25 a	8.09 a	0.78 a	1.5 a	2.9 a	4.12 a	6.53 a
	16	0.2 e	0.86 d	2.08 c	3.08 b	4.25 a	0.61 c	1.44 a	3.24 a	4.83 a	7.42 a	0.46 b	1.17 a	2.59 a	3.81 a	6.19 a
	24		0.19 e	1.44 e	2.41 d	3.31 c		0.74 c	2.53 b	4.06 a	6.2 a		0.57 c	2.02 b	3.23 a	5.55 a
16	12	0.19 e	0.74 d	1.72 d	2.51 c	3.44 a	0.58 c	1.33 b	2.89 a	4.29 a	6.52 a	0.46 c	1.16 a	2.53 a	3.73 a	6.07 a
	16		0.36 e	1.36 e	2.14 d	2.93 c	0.18 d	0.9 c	2.46 b	3.82 a	5.78 a	0.09 d	0.76 c	2.15 b	3.33 a	5.62 a
	24			0.75 f	1.5 e	2.05 d		0.14 e	1.69 d	2.98 c	4.49 b		0.05 d	1.47 d	2.61 c	4.79 a

## 15 psf Lateral Load

Wall Height (ft)	Spacing (in.) o.c.	600S162-(mils)					600S200-(mils)					800S137-(mils)				
		33 ksi		50 ksi			33 ksi		50 ksi			33 ksi		50 ksi		
		33	43	54	68	97	33	43	54	68	97	33	43	54	68	97
8	12	2.14 a	3.12 a	5.35 a	7.19 a	11.11 a	2.57 a	4.01 a	7.16 a	9.66 a	15.31 a	1.55 a*	2.27 a	3.44 a	4.62 a	7.12 a
	16	2 a	2.98 a	5.22 a	7.06 a	10.98 a	2.43 a	3.86 a	7.01 a	9.51 a	15.15 a	1.46 a*	2.19 a	3.38 a	4.56 a	7.06 a
	24	1.73 a	2.72 a	4.97 a	6.82 a	10.72 a	2.15 a	3.56 a	6.71 a	9.21 a	14.83 a	1.3 a*	2.03 a	3.25 a	4.44 a	6.94 a
9	12	2.02 a	3 a	5.23 a	7.07 a	10.99 a	2.43 a	3.84 a	6.92 a	9.39 a	14.95 a	1.48 a*	2.2 a	3.39 a	4.57 a	7.07 a
	16	1.85 a	2.83 a	5.07 a	6.91 a	10.82 a	2.26 a	3.65 a	6.73 a	9.2 a	14.74 a	1.37 a*	2.1 a	3.31 a	4.5 a	6.99 a
	24	1.51 a	2.5 a	4.75 a	6.59 a	10.47 a	1.9 a	3.27 a	6.35 a	8.82 a	14.33 a	1.17 a*	1.91 a	3.14 a	4.34 a	6.85 a
10	12	1.89 a	2.87 a	5.1 a	6.93 a	10.84 a	2.28 a	3.65 a	6.65 a	9.07 a	14.5 a	1.4 a*	2.13 a	3.33 a	4.51 a	7.01 a
	16	1.67 a	2.65 a	4.89 a	6.73 a	10.61 a	2.06 a	3.41 a	6.41 a	8.83 a	14.24 a	1.27 a*	2.01 a	3.23 a	4.42 a	6.92 a
	24	1.26 a	2.24 a	4.49 a	6.33 a	10.18 a	1.63 a	2.96 a	5.94 a	8.35 a	13.73 a	1.02 a*	1.76 a	3.03 a	4.23 a	6.74 a
12	12	1.54 a	2.5 a	4.7 a	6.58 a	10.43 a	1.91 a	3.19 a	5.96 a	8.25 a	13.36 a	1.22 a*	1.96 a	3.18 a	4.37 a	6.88 a
	16	1.25 a	2.21 a	4.4 a	6.27 a	10.09 a	1.6 a	2.86 a	5.63 a	7.91 a	12.98 a	1.04 a*	1.78 a	3.03 a	4.23 a	6.74 a
	24	0.7 a	1.64 a	3.83 a	5.68 a	9.43 a	1.03 a	2.24 a	4.98 a	7.24 a	12.24 a	0.68 a*	1.43 a	2.74 a	3.95 a	6.47 a
14	12	1.15 a	2.06 a	4.07 a	5.85 a	9.81 a	1.49 a	2.65 a	5.14 a	7.25 a	11.91 a	1.01 a*	1.75 a	3 a	4.2 a	6.71 a
	16	0.79 a	1.69 a	3.69 a	5.44 a	9.33 a	1.11 a	2.24 a	4.71 a	6.8 a	11.4 a	0.77 a*	1.51 a	2.8 a	4 a	6.52 a
	24	0.14 c	0.99 b	2.98 a	4.69 a	8.41 a	0.42 c	1.48 a	3.92 a	5.96 a	10.44 a	0.29 a*	1.04 a	2.41 a	3.62 a	6.14 a
16	12	0.75 b	1.58 a	3.36 a	4.96 a	8.44 a	1.05 a	2.09 a	4.26 a	6.14 a	10.26 a	0.77 a*	1.51 a	2.79 a	3.99 a	6.49 a
	16	0.35 c	1.15 b	2.92 a	4.48 a	7.86 a	0.62 c	1.62 a	3.76 a	5.61 a	9.65 a	0.46 a*	1.2 a	2.53 a	3.73 a	6.24 a
	24		0.38 d	2.13 c	3.62 b	6.81 a		0.77 c	2.88 b	4.66 a	8.54 a		0.61 a	2.02 a	3.22 a	5.74 a

See Combined Axial and Lateral Load Table Notes on page 47.

# Combined Axial and Lateral Load Tables

## 15 psf Lateral Load

Wall Height (ft)	Spacing (in.) o.c.	800S162-(mils)					800S200-(mils)				
		33 ksi		50 ksi			33 ksi		50 ksi		
		33	43	54	68	97	33	43	54	68	97
8	12	2.2 a*	3.17 a	5.26 a	7.08 a	11.1 a	2.75 a*	4.25 a	7.53 a	10.07 a	15.77 a
	16	2.1 a*	3.07 a	5.18 a	7 a	11.02 a	2.65 a*	4.14 a	7.42 a	9.96 a	15.66 a
	24	1.9 a*	2.89 a	5.01 a	6.84 a	10.86 a	2.44 a*	3.93 a	7.21 a	9.76 a	15.46 a
9	12	2.12 a*	3.09 a	5.19 a	7.01 a	11.03 a	2.67 a*	4.16 a	7.44 a	9.98 a	15.67 a
	16	1.99 a*	2.97 a	5.08 a	6.91 a	10.93 a	2.53 a*	4.02 a	7.3 a	9.84 a	15.54 a
	24	1.75 a*	2.73 a	4.87 a	6.69 a	10.72 a	2.27 a*	3.74 a	7.02 a	9.58 a	15.28 a
10	12	2.02 a*	3 a	5.11 a	6.93 a	10.95 a	2.57 a*	4.05 a	7.33 a	9.87 a	15.57 a
	16	1.87 a*	2.85 a	4.97 a	6.8 a	10.82 a	2.4 a*	3.88 a	7.15 a	9.7 a	15.4 a
	24	1.57 a*	2.56 a	4.7 a	6.53 a	10.56 a	2.07 a*	3.54 a	6.81 a	9.37 a	15.06 a
12	12	1.81 a*	2.79 a	4.91 a	6.73 a	10.75 a	2.33 a*	3.8 a	7.06 a	9.61 a	15.3 a
	16	1.59 a*	2.57 a	4.71 a	6.53 a	10.55 a	2.09 a*	3.55 a	6.81 a	9.36 a	15.04 a
	24	1.16 a*	2.15 a	4.31 a	6.15 a	10.17 a	1.63 a*	3.05 a	6.3 a	8.85 a	14.54 a
14	12	1.55 a*	2.53 a	4.65 a	6.48 a	10.49 a	2.03 a*	3.45 a	6.63 a	9.2 a	14.94 a
	16	1.25 a*	2.24 a	4.38 a	6.2 a	10.21 a	1.71 a*	3.11 a	6.28 a	8.85 a	14.57 a
	24	0.69 a*	1.68 a	3.84 a	5.67 a	9.66 a	1.1 a*	2.46 a	5.59 a	8.16 a	13.85 a
16	12	1.25 a*	2.23 a	4.35 a	6.16 a	10.15 a	1.68 a*	3.02 a	6 a	8.46 a	14.08 a
	16	0.88 a*	1.86 a	3.98 a	5.8 a	9.77 a	1.28 a*	2.59 a	5.55 a	8.01 a	13.59 a
	24	0.19 b*	1.15 a	3.29 a	5.09 a	9.04 a	0.54 a*	1.79 a	4.71 a	7.13 a	12.65 a

See Combined Axial and Lateral Load Table Notes on page 47.

# Combined Axial and Lateral Load Tables



## 20 psf Lateral Load

Wall Height (ft)	Spacing (in.) o.c.	350S162-(mils)					362S137-(mils)				362S162-(mils)				
		33 ksi		50 ksi			33 ksi		50 ksi		33 ksi		50 ksi		
		33	43	54	68	97	33	43	54	68	33	43	54	68	97
8	12	1.18 a	1.92 a	3.38 a	4.48 a	6.47 a	0.93 a	1.57 a	2.8 a	3.82 a	1.25 a	2.02 a	3.56 a	4.78 a	6.89 a
	16	0.93 a	1.66 a	3.13 a	4.23 a	6.1 a	0.7 a	1.33 a	2.58 a	3.58 a	1 a	1.76 a	3.32 a	4.53 a	6.52 a
	24	0.46 c	1.17 b	2.67 a	3.76 a	5.4 a	0.27 c	0.88 b	2.16 a	3.14 a	0.53 b	1.27 a	2.85 a	4.05 a	5.81 a
9	12	0.92 a	1.61 a	2.93 a	3.95 a	5.65 a	0.71 a	1.31 a	2.46 a	3.39 a	0.99 a	1.71 a	3.14 a	4.25 a	6.08 a
	16	0.63 c	1.3 a	2.65 a	3.65 a	5.22 a	0.44 c	1.03 b	2.2 a	3.12 a	0.7 b	1.4 a	2.85 a	3.95 a	5.64 a
	24	0.11 d	0.74 c	2.12 b	3.1 a	4.42 a		0.51 d	1.72 c	2.6 b	0.17 d	0.84 c	2.31 b	3.39 a	4.83 a
10	12	0.66 c	1.29 a	2.48 a	3.39 a	4.82 a	0.49 c	1.04 b	2.1 a	2.94 a	0.73 b	1.4 a	2.69 a	3.69 a	5.24 a
	16	0.35 d	0.96 c	2.16 b	3.07 a	4.35 a	0.2 d	0.73 c	1.81 b	2.63 a	0.41 d	1.05 c	2.37 a	3.35 a	4.75 a
	24		0.36 d	1.6 d	2.47 c	3.49 a		0.17 e	1.29 d	2.06 c		0.44 d	1.78 c	2.74 b	3.87 a
12	12	0.21 e	0.72 d	1.65 c	2.35 b	3.29 a	0.09 e	0.54 d	1.41 c	2.05 b	0.27 e	0.81 d	1.83 c	2.61 b	3.64 a
	16		0.35 e	1.32 d	2.01 c	2.8 b		0.2 e	1.09 d	1.71 d		0.43 e	1.48 d	2.24 c	3.13 b
	24			0.74 e	1.4 e	1.94 d			0.54 e	1.12 e			0.88 e	1.6 e	2.23 d
14	12		0.27 e	1.03 e	1.57 d	2.16 c		0.14 e	0.86 e	1.35 d		0.33 e	1.16 e	1.76 d	2.42 c
	16			0.71 e	1.23 e	1.69 d			0.55 f	1.01 e			0.82 e	1.4 e	1.93 d
	24			0.16 f	0.64 f	0.88 e			0.02 f	0.44 f			0.24 f	0.78 f	1.07 e
16	12			0.59 f	1.01 e	1.37 d			0.46 f	0.84 e			0.68 f	1.15 e	1.56 d
	16			0.29 f	0.69 f	0.94 e			0.17 f	0.52 f			0.37 f	0.81 f	1.1 e
	24				0.14 f	0.19 f							0.23 f	0.31 f	

## 20 psf Lateral Load

Wall Height (ft)	Spacing (in.) o.c.	362S200-(mils)					400S137-(mils)				400S162-(mils)				
		33 ksi		50 ksi			33 ksi		50 ksi		33 ksi		50 ksi		
		33	43	54	68	97	33	43	54	68	33	43	54	68	97
8	12	1.58 a	2.59 a	4.52 a	6.03 a	8.5 a	1.08 a	1.78 a	3.17 a	4.45 a	1.44 a	2.28 a	4.05 a	5.6 a	8.12 a
	16	1.31 a	2.3 a	4.24 a	5.75 a	8.11 a	0.86 a	1.55 a	2.96 a	4.22 a	1.2 a	2.03 a	3.81 a	5.35 a	7.75 a
	24	0.8 b	1.76 a	3.71 a	5.22 a	7.36 a	0.44 b	1.11 a	2.55 a	3.78 a	0.73 a	1.55 a	3.35 a	4.86 a	7.04 a
9	12	1.29 a	2.23 a	3.98 a	5.37 a	7.54 a	0.87 a	1.53 a	2.87 a	4.1 a	1.19 a	1.99 a	3.66 a	5.12 a	7.35 a
	16	0.97 a	1.89 a	3.65 a	5.04 a	7.07 a	0.6 b	1.26 a	2.61 a	3.82 a	0.9 a	1.69 a	3.37 a	4.81 a	6.9 a
	24	0.39 c	1.27 b	3.04 a	4.42 a	6.2 a	0.12 d	0.74 c	2.12 a	3.28 a	0.37 c	1.13 b	2.82 a	4.22 a	6.05 a
10	12	1 a	1.85 a	3.43 a	4.68 a	6.54 a	0.65 b	1.27 a	2.53 a	3.66 a	0.93 a	1.68 a	3.23 a	4.58 a	6.51 a
	16	0.64 c	1.48 b	3.06 a	4.31 a	6.02 a	0.35 c	0.96 b	2.23 a	3.33 a	0.61 c	1.34 a	2.9 a	4.22 a	5.99 a
	24	0.01 d	0.8 d	2.4 c	3.63 b	5.07 a		0.38 d	1.68 c	2.72 b	0.02 d	0.71 c	2.28 b	3.56 a	5.04 a
12	12	0.46 d	1.15 c	2.37 b	3.36 a	4.65 a	0.23 d	0.76 c	1.83 b	2.72 a	0.44 d	1.08 c	2.36 b	3.43 a	4.8 a
	16	0.07 e	0.74 d	1.98 c	2.95 b	4.09 a		0.39 d	1.48 d	2.34 c	0.07 e	0.68 d	1.97 c	3.02 b	4.21 a
	24		0.01 e	1.29 e	2.24 d	3.1 c			0.86 e	1.66 d			1.29 e	2.28 d	3.18 c
14	12	0.03 e	0.58 e	1.54 d	2.31 c	3.18 b		0.31 e	1.2 d	1.87 d	0.04 e	0.55 d	1.59 d	2.4 c	3.32 a
	16		0.17 e	1.16 e	1.92 d	2.63 c			0.85 e	1.48 e		0.14 e	1.2 e	1.98 d	2.74 c
	24			0.51 f	1.23 e	1.69 e			0.23 f	0.82 f			0.52 f	1.26 e	1.74 d
16	12		0.16 f	0.95 e	1.56 e	2.13 d			0.72 e	1.22 e		0.14 e	1 e	1.62 d	2.22 c
	16			0.6 f	1.19 e	1.62 e			0.37 f	0.86 f			0.63 f	1.23 e	1.68 d
	24				0.55 f	0.75 f				0.23 f			0.55 f	0.75 e	

See Combined Axial and Lateral Load Table Notes on page 47.

# Combined Axial and Lateral Load Tables



## 20 psf Lateral Load

Wall Height (ft)	Spacing (in.) o.c.	400S200-(mils)					550S162-(mils)					600S137-(mils)				
		33 ksi		50 ksi			33 ksi		50 ksi			33 ksi		50 ksi		
		33	43	54	68	97	33	43	54	68	97	33	43	54	68	97
8	12	1.79 a	2.9 a	5.14 a	6.99 a	9.99 a	1.93 a	2.92 a	5.19 a	7.02 a	10.58 a	1.42 a	2.17 a	3.53 a	4.77 a	7.25 a
	16	1.53 a	2.63 a	4.87 a	6.71 a	9.59 a	1.74 a	2.72 a	5 a	6.83 a	10.29 a	1.27 a	2.02 a	3.4 a	4.65 a	7.12 a
	24	1.03 a	2.1 a	4.35 a	6.18 a	8.82 a	1.35 a	2.34 a	4.63 a	6.46 a	9.73 a	0.97 a	1.73 a	3.15 a	4.4 a	6.87 a
9	12	1.51 a	2.56 a	4.64 a	6.38 a	9.05 a	1.75 a	2.72 a	4.98 a	6.84 a	10.3 a	1.29 a	2.04 a	3.41 a	4.66 a	7.13 a
	16	1.2 a	2.23 a	4.31 a	6.04 a	8.56 a	1.5 a	2.48 a	4.74 a	6.59 a	9.92 a	1.1 a	1.85 a	3.25 a	4.5 a	6.97 a
	24	0.62 b	1.61 a	3.69 a	5.4 a	7.64 a	1.03 a	2 a	4.27 a	6.12 a	9.19 a	0.73 a	1.48 a	2.93 a	4.19 a	6.64 a
10	12	1.23 a	2.2 a	4.1 a	5.72 a	8.04 a	1.54 a	2.5 a	4.7 a	6.61 a	9.96 a	1.15 a	1.9 a	3.29 a	4.53 a	7 a
	16	0.87 b	1.82 a	3.72 a	5.33 a	7.48 a	1.24 a	2.2 a	4.41 a	6.3 a	9.48 a	0.92 a	1.67 a	3.08 a	4.33 a	6.79 a
	24	0.23 d	1.13 c	3.03 a	4.6 a	6.45 a	0.69 a	1.63 a	3.84 a	5.71 a	8.57 a	0.47 a	1.22 a	2.69 a	3.94 a	6.37 a
12	12	0.67 c	1.48 b	3.02 a	4.34 a	6.02 a	1.08 a	1.99 a	4.02 a	5.8 a	9.05 a	0.82 a	1.56 a	2.97 a	4.21 a	6.65 a
	16	0.26 d	1.04 c	2.59 b	3.88 a	5.38 a	0.7 b	1.59 a	3.62 a	5.37 a	8.35 a	0.5 a	1.24 a	2.68 a	3.92 a	6.34 a
	24		0.27 e	1.82 d	3.06 c	4.24 b		0.85 b	2.87 a	4.57 a	7.07 a		0.63 b	2.13 a	3.36 a	5.73 a
14	12	0.2 e	0.86 d	2.08 c	3.08 b	4.25 a	0.61 c	1.44 a	3.24 a	4.83 a	7.42 a	0.46 b	1.17 a	2.59 a	3.81 a	6.19 a
	16		0.4 e	1.64 d	2.62 c	3.61 b	0.17 d	0.96 c	2.76 b	4.31 a	6.59 a	0.07 d	0.76 b	2.21 a	3.42 a	5.76 a
	24			0.88 e	1.82 e	2.5 d		0.11 d	1.89 d	3.36 c	5.12 a		0.01 d	1.5 c	2.68 b	4.94 a
16	12		0.36 e	1.36 e	2.14 d	2.93 c	0.18 d	0.9 c	2.46 b	3.82 a	5.78 a	0.09 d	0.76 c	2.15 b	3.33 a	5.62 a
	16			0.94 e	1.7 e	2.32 d		0.38 d	1.94 d	3.25 c	4.9 a		0.28 d	1.69 c	2.84 b	5.06 a
	24			0.23 f	0.94 f	1.29 e			1.02 e	2.24 d	3.36 c		0.85 e	1.95 d	4.04 c	

## 20 psf Lateral Load

Wall Height (ft)	Spacing (in.) o.c.	600S162-(mils)					600S200-(mils)					800S137-(mils)				
		33 ksi		50 ksi			33 ksi		50 ksi			33 ksi		50 ksi		
		33	43	54	68	97	33	43	54	68	97	33	43	54	68	97
8	12	2 a	2.98 a	5.22 a	7.06 a	10.98 a	2.43 a	3.86 a	7.01 a	9.51 a	15.15 a	1.46 a*	2.19 a	3.38 a	4.56 a	7.06 a
	16	1.82 a	2.81 a	5.05 a	6.9 a	10.81 a	2.25 a	3.66 a	6.81 a	9.31 a	14.94 a	1.35 a*	2.09 a	3.29 a	4.48 a	6.98 a
	24	1.47 a	2.46 a	4.73 a	6.57 a	10.46 a	1.88 a	3.27 a	6.42 a	8.92 a	14.52 a	1.14 a*	1.88 a	3.12 a	4.32 a	6.83 a
9	12	1.85 a	2.83 a	5.07 a	6.91 a	10.82 a	2.26 a	3.65 a	6.73 a	9.2 a	14.74 a	1.37 a*	2.1 a	3.31 a	4.5 a	6.99 a
	16	1.62 a	2.61 a	4.86 a	6.7 a	10.59 a	2.02 a	3.4 a	6.48 a	8.94 a	14.47 a	1.24 a*	1.97 a	3.2 a	4.39 a	6.9 a
	24	1.18 a	2.17 a	4.43 a	6.28 a	10.13 a	1.56 a	2.91 a	5.98 a	8.44 a	13.93 a	0.96 a*	1.71 a	2.98 a	4.19 a	6.7 a
10	12	1.67 a	2.65 a	4.89 a	6.73 a	10.61 a	2.06 a	3.41 a	6.41 a	8.83 a	14.24 a	1.27 a*	2.01 a	3.23 a	4.42 a	6.92 a
	16	1.4 a	2.38 a	4.62 a	6.46 a	10.32 a	1.77 a	3.11 a	6.1 a	8.51 a	13.9 a	1.1 a*	1.84 a	3.09 a	4.29 a	6.8 a
	24	0.86 a	1.85 a	4.1 a	5.93 a	9.75 a	1.22 a	2.51 a	5.49 a	7.89 a	13.23 a	0.77 a*	1.52 a	2.83 a	4.03 a	6.55 a
12	12	1.25 a	2.21 a	4.4 a	6.27 a	10.09 a	1.6 a	2.86 a	5.63 a	7.91 a	12.98 a	1.04 a*	1.78 a	3.03 a	4.23 a	6.74 a
	16	0.88 a	1.83 a	4.02 a	5.87 a	9.65 a	1.22 a	2.44 a	5.19 a	7.46 a	12.48 a	0.8 a*	1.55 a	2.84 a	4.04 a	6.56 a
	24	0.19 c	1.11 a	3.29 a	5.11 a	8.8 a	0.5 b	1.66 a	4.37 a	6.61 a	11.52 a	0.33 a*	1.09 a	2.46 a	3.67 a	6.2 a
14	12	0.79 a	1.69 a	3.69 a	5.44 a	9.33 a	1.11 a	2.24 a	4.71 a	6.8 a	11.4 a	0.77 a*	1.51 a	2.8 a	4 a	6.52 a
	16	0.35 c	1.22 b	3.21 a	4.93 a	8.71 a	0.64 b	1.73 a	4.18 a	6.23 a	10.75 a	0.45 a*	1.19 a	2.54 a	3.74 a	6.26 a
	24		0.36 d	2.33 c	3.99 a	7.57 a		0.79 c	3.19 b	5.19 a	9.55 a		0.59 a	2.02 a	3.24 a	5.77 a
16	12	0.35 c	1.15 b	2.92 a	4.48 a	7.86 a	0.62 c	1.62 a	3.76 a	5.61 a	9.65 a	0.46 a*	1.2 a	2.53 a	3.73 a	6.24 a
	16		0.62 d	2.38 c	3.89 a	7.14 a	0.1 d	1.04 c	3.16 b	4.97 a	8.89 a	0.07 b*	0.8 a	2.18 a	3.39 a	5.9 a
	24			1.42 d	2.85 c	5.87 b		0.01 d	2.09 d	3.81 c	7.54 a		0.06 c	1.53 b	2.74 a	5.25 a

See Combined Axial and Lateral Load Table Notes on page 47.

# Combined Axial and Lateral Load Tables



20 psf Lateral Load											
Wall Height (ft)	Spacing (in.) o.c.	800S162-(mils)					800S200-(mils)				
		33 ksi		50 ksi			33 ksi		50 ksi		
		33	43	54	68	97	33	43	54	68	97
8	12	2.1 a*	3.07 a	5.18 a	7 a	11.02 a	2.65 a*	4.14 a	7.42 a	9.96 a	15.66 a
	16	1.97 a*	2.95 a	5.07 a	6.89 a	10.91 a	2.51 a*	4 a	7.28 a	9.83 a	15.53 a
	24	1.71 a*	2.7 a	4.84 a	6.67 a	10.7 a	2.23 a*	3.71 a	6.99 a	9.55 a	15.25 a
9	12	1.99 a*	2.97 a	5.08 a	6.91 a	10.93 a	2.53 a*	4.02 a	7.3 a	9.84 a	15.54 a
	16	1.83 a*	2.81 a	4.94 a	6.77 a	10.79 a	2.36 a*	3.84 a	7.11 a	9.66 a	15.36 a
	24	1.5 a*	2.5 a	4.65 a	6.49 a	10.51 a	2.01 a*	3.47 a	6.75 a	9.31 a	15.01 a
10	12	1.87 a*	2.85 a	4.97 a	6.8 a	10.82 a	2.4 a*	3.88 a	7.15 a	9.7 a	15.4 a
	16	1.67 a*	2.65 a	4.79 a	6.62 a	10.65 a	2.18 a*	3.65 a	6.93 a	9.48 a	15.18 a
	24	1.27 a*	2.27 a	4.44 a	6.27 a	10.3 a	1.75 a*	3.2 a	6.47 a	9.03 a	14.73 a
12	12	1.59 a*	2.57 a	4.71 a	6.53 a	10.55 a	2.09 a*	3.55 a	6.81 a	9.36 a	15.04 a
	16	1.3 a*	2.29 a	4.44 a	6.27 a	10.29 a	1.78 a*	3.22 a	6.47 a	9.02 a	14.7 a
	24	0.74 a*	1.74 a	3.93 a	5.76 a	9.78 a	1.17 a*	2.57 a	5.81 a	8.36 a	14.04 a
14	12	1.25 a*	2.24 a	4.38 a	6.2 a	10.21 a	1.71 a*	3.11 a	6.28 a	8.85 a	14.57 a
	16	0.87 a*	1.86 a	4.02 a	5.84 a	9.84 a	1.3 a*	2.67 a	5.82 a	8.39 a	14.09 a
	24	0.15 b*	1.14 a	3.32 a	5.14 a	9.13 a	0.52 a*	1.83 a	4.94 a	7.49 a	13.15 a
16	12	0.88 a*	1.86 a	3.98 a	5.8 a	9.77 a	1.28 a*	2.59 a	5.55 a	8.01 a	13.59 a
	16	0.41 b*	1.38 a	3.52 a	5.32 a	9.28 a	0.78 a*	2.05 a	4.98 a	7.42 a	12.96 a
	24		0.49 b	2.63 a	4.42 a	8.34 a		1.03 a	3.91 a	6.31 a	11.75 a

See Combined Axial and Lateral Load Table Notes on page 47.



# Combined Axial and Lateral Load Tables



## 25 psf Lateral Load

Wall Height (ft)	Spacing (in.) o.c.	350S162-(mils)					362S137-(mils)				362S162-(mils)				
		33 ksi		50 ksi			33 ksi		50 ksi		33 ksi		50 ksi		
		33	43	54	68	97	33	43	54	68	33	43	54	68	97
8	12	0.99 a	1.72 a	3.19 a	4.29 a	6.19 a	0.76 a	1.38 a	2.63 a	3.64 a	1.06 a	1.82 a	3.38 a	4.59 a	6.61 a
	16	0.69 b	1.41 a	2.9 a	3.99 a	5.74 a	0.48 b	1.1 a	2.37 a	3.36 a	0.76 a	1.51 a	3.08 a	4.29 a	6.16 a
	24	0.14 d	0.82 c	2.34 b	3.42 a	4.91 a		0.56 c	1.87 b	2.83 a	0.2 c	0.92 b	2.52 a	3.7 a	5.31 a
9	12	0.7 b	1.38 a	2.72 a	3.72 a	5.33 a	0.51 c	1.09 a	2.27 a	3.18 a	0.77 b	1.48 a	2.92 a	4.02 a	5.75 a
	16	0.36 d	1.02 b	2.38 a	3.37 a	4.81 a	0.2 d	0.76 c	1.96 b	2.85 a	0.43 c	1.12 b	2.57 a	3.66 a	5.22 a
	24		0.36 d	1.76 c	2.72 b	3.88 a		0.16 d	1.39 d	2.24 c		0.46 d	1.94 c	3 b	4.26 a
10	12	0.42 d	1.04 c	2.24 a	3.14 a	4.46 a	0.27 d	0.8 c	1.88 b	2.7 a	0.49 c	1.14 b	2.45 a	3.44 a	4.87 a
	16	0.06 e	0.65 d	1.87 c	2.76 b	3.91 a		0.44 d	1.54 c	2.34 b	0.12 d	0.74 d	2.07 c	3.04 a	4.3 a
	24			1.22 d	2.07 d	2.92 c			0.93 e	1.67 d		0.03 e	1.38 d	2.32 c	3.27 b
12	12		0.44 e	1.4 d	2.09 c	2.92 b		0.28 e	1.17 d	1.79 c	0.01 e	0.52 d	1.57 d	2.33 c	3.25 a
	16		0.02 e	1.02 e	1.69 d	2.35 c			0.81 e	1.4 d		0.09 e	1.17 e	1.91 d	2.66 c
	24			0.36 f	0.99 e	1.37 e			0.18 f	0.72 e			0.47 f	1.17 e	1.63 d
14	12			0.79 e	1.31 e	1.8 d			0.62 e	1.09 e		0.05 f	0.9 e	1.49 e	2.05 d
	16			0.42 f	0.92 e	1.27 e			0.27 f	0.72 f			0.52 f	1.08 e	1.48 e
	24				0.26 f	0.36 f				0.07 f				0.37 f	0.51 f
16	12			0.36 f	0.76 f	1.04 e							0.44 f	0.89 f	1.21 e
	16			0.02 f	0.4 f	0.55 f			0.24 f	0.6 f			0.08 f	0.51 f	0.69 f
	24								0.24 f						

## 25 psf Lateral Load

Wall Height (ft)	Spacing (in.) o.c.	362S200-(mils)					400S137-(mils)				400S162-(mils)				
		33 ksi		50 ksi			33 ksi		50 ksi		33 ksi		50 ksi		
		33	43	54	68	97	33	43	54	68	33	43	54	68	97
8	12	1.38 a	2.38 a	4.31 a	5.82 a	8.21 a	0.91 a	1.6 a	3.01 a	4.28 a	1.26 a	2.09 a	3.87 a	5.41 a	7.84 a
	16	1.05 a	2.03 a	3.97 a	5.48 a	7.73 a	0.64 a	1.32 a	2.75 a	4 a	0.96 a	1.78 a	3.58 a	5.1 a	7.39 a
	24	0.44 c	1.38 a	3.34 a	4.85 a	6.82 a	0.14 c	0.8 b	2.26 a	3.46 a	0.41 b	1.21 a	3.02 a	4.51 a	6.52 a
9	12	1.05 a	1.97 a	3.73 a	5.12 a	7.18 a	0.67 a	1.32 a	2.67 a	3.89 a	0.97 a	1.76 a	3.44 a	4.88 a	7.01 a
	16	0.67 c	1.57 a	3.34 a	4.72 a	6.62 a	0.36 c	0.99 b	2.36 a	3.55 a	0.63 b	1.4 a	3.09 a	4.51 a	6.46 a
	24		0.84 c	2.62 b	3.99 a	5.59 a		0.39 d	1.78 c	2.9 b		0.73 c	2.43 b	3.81 a	5.45 a
10	12	0.73 c	1.57 a	3.15 a	4.4 a	6.14 a	0.42 c	1.04 b	2.31 a	3.41 a	0.68 b	1.42 a	2.98 a	4.31 a	6.11 a
	16	0.32 d	1.13 c	2.72 b	3.96 a	5.53 a	0.08 d	0.66 c	1.95 b	3.02 a	0.3 d	1.02 b	2.58 a	3.88 a	5.5 a
	24		0.34 d	1.95 d	3.17 c	4.41 a			1.3 d	2.3 c		0.28 d	1.86 c	3.1 b	4.38 a
12	12	0.16 e	0.84 d	2.07 c	3.05 b	4.22 a		0.48 d	1.57 c	2.43 b	0.16 d	0.77 d	2.07 c	3.12 b	4.36 a
	16		0.36 e	1.62 d	2.58 c	3.58 b		0.06 e	1.16 d	1.99 d		0.32 e	1.62 d	2.64 c	3.68 b
	24			0.83 e	1.77 e	2.44 d			0.45 e	1.2 e			0.83 e	1.79 e	2.49 d
14	12		0.27 e	1.25 e	2.01 d	2.76 c		0.02 e	0.93 e	1.58 d		0.24 e	1.29 e	2.08 d	2.88 c
	16			0.82 e	1.56 e	2.14 d			0.52 f	1.14 e			0.84 e	1.61 e	2.22 d
	24			0.08 f	0.78 f	1.08 e				0.38 f			0.08 f	0.78 f	1.08 e
16	12			0.68 f	1.28 e	1.75 d							0.72 e	1.32 e	1.81 d
	16			0.28 f	0.86 f	1.17 e			0.07 f	0.53 f			0.29 f	0.87 f	1.19 e
	24				0.13 f	0.18 f								0.1 f	0.14 f

See Combined Axial and Lateral Load Table Notes on page 47.

# Combined Axial and Lateral Load Tables



## 25 psf Lateral Load

Wall Height (ft)	Spacing (in.) o.c.	400S200-(mils)					550S162-(mils)					600S137-(mils)				
		33 ksi		50 ksi			33 ksi		50 ksi			33 ksi		50 ksi		
		33	43	54	68	97	33	43	54	68	97	33	43	54	68	97
8	12	1.59 a	2.7 a	4.94 a	6.78 a	9.69 a	1.79 a	2.77 a	5.05 a	6.88 a	10.36 a	1.31 a	2.06 a	3.43 a	4.68 a	7.16 a
	16	1.28 a	2.36 a	4.6 a	6.45 a	9.2 a	1.54 a	2.53 a	4.81 a	6.64 a	10.01 a	1.12 a	1.87 a	3.27 a	4.53 a	6.99 a
	24	0.68 b	1.73 a	3.97 a	5.8 a	8.26 a	1.07 a	2.06 a	4.36 a	6.19 a	9.31 a	0.75 a	1.51 a	2.96 a	4.22 a	6.68 a
9	12	1.28 a	2.31 a	4.39 a	6.13 a	8.68 a	1.56 a	2.54 a	4.8 a	6.65 a	10.02 a	1.15 a	1.9 a	3.29 a	4.54 a	7.01 a
	16	0.91 a	1.92 a	3.99 a	5.72 a	8.09 a	1.26 a	2.23 a	4.5 a	6.35 a	9.55 a	0.91 a	1.67 a	3.09 a	4.34 a	6.8 a
	24	0.22 c	1.18 b	3.25 a	4.95 a	6.99 a	0.69 a	1.65 a	3.93 a	5.77 a	8.66 a	0.46 a	1.21 a	2.7 a	3.96 a	6.39 a
10	12	0.96 a	1.92 a	3.82 a	5.42 a	7.62 a	1.32 a	2.27 a	4.48 a	6.38 a	9.6 a	0.97 a	1.72 a	3.13 a	4.38 a	6.84 a
	16	0.54 c	1.47 b	3.37 a	4.95 a	6.95 a	0.96 a	1.91 a	4.12 a	6 a	9.02 a	0.69 a	1.44 a	2.89 a	4.14 a	6.58 a
	24		0.65 d	2.55 c	4.09 b	5.73 a	0.29 b	1.22 a	3.43 a	5.28 a	7.91 a	0.14 b	0.89 a	2.4 a	3.65 a	6.07 a
12	12	0.36 d	1.15 c	2.7 b	3.99 a	5.53 a	0.79 a	1.69 a	3.72 a	5.48 a	8.52 a	0.58 a	1.32 a	2.75 a	3.99 a	6.41 a
	16		0.64 d	2.19 c	3.46 b	4.79 a	0.34 c	1.21 a	3.24 a	4.96 a	7.7 a	0.2 b	0.93 a	2.4 a	3.64 a	6.03 a
	24			1.31 e	2.51 d	3.48 c		0.34 c	2.35 b	4.01 a	6.19 a		0.2 c	1.73 b	2.96 a	5.29 a
14	12		0.51 e	1.74 d	2.73 c	3.76 b	0.28 d	1.08 b	2.88 a	4.43 a	6.79 a	0.16 c	0.86 b	2.3 a	3.51 a	5.86 a
	16			1.24 e	2.2 d	3.03 c		0.52 d	2.31 c	3.82 b	5.83 a		0.38 c	1.84 b	3.04 a	5.34 a
	24			0.38 f	1.29 e	1.77 e			1.3 d	2.72 d	4.13 b			1 d	2.17 c	4.36 b
16	12		0.02 f	1.04 e	1.8 e	2.47 d		0.51 d	2.06 c	3.39 b	5.11 a		0.4 d	1.8 c	2.96 b	5.2 a
	16			0.57 f	1.3 e	1.78 e			1.46 d	2.73 d	4.1 b			1.25 d	2.38 c	4.54 b
	24				0.45 f	0.62 f			0.41 e	1.57 e	2.35 d			0.28 e	1.35 e	3.35 d

## 25 psf Lateral Load

Wall Height (ft)	Spacing (in.) o.c.	600S162-(mils)					600S200-(mils)					800S137-(mils)				
		33 ksi		50 ksi			33 ksi		50 ksi			33 ksi		50 ksi		
		33	43	54	68	97	33	43	54	68	97	33	43	54	68	97
8	12	1.87 a	2.85 a	5.1 a	6.94 a	10.85 a	2.29 a	3.71 a	6.86 a	9.36 a	14.99 a	1.38 a*	2.11 a	3.31 a	4.5 a	7 a
	16	1.64 a	2.63 a	4.89 a	6.73 a	10.63 a	2.06 a	3.46 a	6.61 a	9.11 a	14.73 a	1.25 a*	1.98 a	3.21 a	4.4 a	6.91 a
	24	1.21 a	2.2 a	4.48 a	6.33 a	10.2 a	1.6 a	2.98 a	6.12 a	8.62 a	14.21 a	0.98 a*	1.72 a	3 a	4.2 a	6.72 a
9	12	1.68 a	2.66 a	4.91 a	6.75 a	10.64 a	2.08 a	3.46 a	6.54 a	9.01 a	14.53 a	1.27 a*	2.01 a	3.23 a	4.42 a	6.92 a
	16	1.4 a	2.39 a	4.64 a	6.48 a	10.36 a	1.79 a	3.15 a	6.23 a	8.69 a	14.2 a	1.1 a*	1.84 a	3.09 a	4.29 a	6.8 a
	24	0.86 a	1.85 a	4.13 a	5.97 a	9.8 a	1.23 a	2.55 a	5.62 a	8.07 a	13.53 a	0.76 a*	1.51 a	2.82 a	4.03 a	6.55 a
10	12	1.46 a	2.45 a	4.69 a	6.53 a	10.4 a	1.84 a	3.18 a	6.17 a	8.59 a	13.99 a	1.15 a*	1.88 a	3.13 a	4.32 a	6.83 a
	16	1.13 a	2.11 a	4.36 a	6.19 a	10.04 a	1.49 a	2.81 a	5.79 a	8.2 a	13.56 a	0.93 a*	1.68 a	2.96 a	4.16 a	6.68 a
	24	0.48 a	1.46 a	3.72 a	5.55 a	9.33 a	0.82 a	2.08 a	5.05 a	7.44 a	12.74 a	0.52 a*	1.28 a	2.63 a	3.84 a	6.37 a
12	12	0.97 a	1.92 a	4.11 a	5.97 a	9.76 a	1.31 a	2.55 a	5.3 a	7.57 a	12.6 a	0.86 a*	1.6 a	2.89 a	4.09 a	6.6 a
	16	0.53 b	1.46 a	3.65 a	5.49 a	9.22 a	0.85 a	2.04 a	4.78 a	7.03 a	12 a	0.56 a*	1.31 a	2.65 a	3.86 a	6.38 a
	24		0.61 b	2.78 a	4.57 a	8.19 a		1.1 b	3.79 a	6 a	10.84 a		0.75 a	2.17 a	3.4 a	5.94 a
14	12	0.45 c	1.33 a	3.33 a	5.06 a	8.86 a	0.76 b	1.86 a	4.31 a	6.37 a	10.91 a	0.53 a*	1.27 a	2.6 a	3.81 a	6.33 a
	16		0.78 c	2.76 b	4.45 a	8.13 a	0.21 c	1.25 b	3.67 a	5.7 a	10.13 a	0.14 a*	0.89 a	2.28 a	3.49 a	6.02 a
	24			1.73 d	3.34 c	6.79 a		0.15 d	2.52 c	4.46 b	8.71 a		0.16 b	1.65 a	2.87 a	5.41 a
16	12		0.75 c	2.51 b	4.04 a	7.32 a	0.23 d	1.18 c	3.31 a	5.12 a	9.08 a	0.17 b*	0.9 a	2.27 a	3.47 a	5.99 a
	16		0.14 d	1.89 d	3.35 c	6.48 a		0.5 d	2.61 c	4.37 b	8.19 a		0.43 b	1.85 a	3.06 a	5.58 a
	24			0.78 e	2.14 d	5.01 c			1.37 d	3.02 d	6.62 b			1.06 c	2.27 b	4.78 a

See Combined Axial and Lateral Load Table Notes on page 47.

# Combined Axial and Lateral Load Tables



25 psf Lateral Load											
Wall Height (ft)	Spacing (in.) o.c.	800S162-(mils)					800S200-(mils)				
		33 ksi		50 ksi			33 ksi		50 ksi		
		33	43	54	68	97	33	43	54	68	97
8	12	2 a*	2.98 a	5.09 a	6.92 a	10.94 a	2.55 a*	4.03 a	7.31 a	9.86 a	15.56 a
	16	1.84 a*	2.82 a	4.95 a	6.78 a	10.81 a	2.37 a*	3.85 a	7.14 a	9.69 a	15.39 a
	24	1.52 a*	2.52 a	4.67 a	6.51 a	10.54 a	2.03 a*	3.49 a	6.78 a	9.34 a	15.05 a
9	12	1.87 a*	2.85 a	4.97 a	6.8 a	10.82 a	2.4 a*	3.88 a	7.16 a	9.71 a	15.41 a
	16	1.66 a*	2.65 a	4.79 a	6.62 a	10.65 a	2.18 a*	3.65 a	6.93 a	9.49 a	15.19 a
	24	1.26 a*	2.26 a	4.44 a	6.28 a	10.31 a	1.75 a*	3.2 a	6.48 a	9.04 a	14.75 a
10	12	1.72 a*	2.7 a	4.84 a	6.67 a	10.69 a	2.24 a*	3.71 a	6.98 a	9.53 a	15.23 a
	16	1.47 a*	2.46 a	4.61 a	6.45 a	10.47 a	1.97 a*	3.42 a	6.7 a	9.25 a	14.95 a
	24	0.97 a*	1.98 a	4.17 a	6.01 a	10.04 a	1.43 a*	2.86 a	6.13 a	8.7 a	14.4 a
12	12	1.37 a*	2.36 a	4.51 a	6.34 a	10.36 a	1.86 a*	3.3 a	6.55 a	9.1 a	14.79 a
	16	1.02 a*	2.01 a	4.18 a	6.02 a	10.04 a	1.48 a*	2.89 a	6.13 a	8.69 a	14.37 a
	24	0.33 a*	1.34 a	3.55 a	5.39 a	9.4 a	0.73 a*	2.1 a	5.32 a	7.88 a	13.55 a
14	12	0.97 a*	1.96 a	4.11 a	5.93 a	9.94 a	1.4 a*	2.78 a	5.93 a	8.5 a	14.21 a
	16	0.51 a*	1.49 a	3.66 a	5.49 a	9.48 a	0.91 a*	2.24 a	5.37 a	7.93 a	13.61 a
	24		0.62 a	2.82 a	4.64 a	8.6 a		1.22 a	4.3 a	6.84 a	12.46 a
16	12	0.53 a*	1.5 a	3.63 a	5.44 a	9.4 a	0.91 a*	2.18 a	5.12 a	7.56 a	13.12 a
	16		0.93 a	3.07 a	4.87 a	8.8 a	0.31 b*	1.53 a	4.44 a	6.85 a	12.35 a
	24			2.01 b	3.78 a	7.66 a		0.32 c	3.15 a	5.52 a	10.89 a

See Combined Axial and Lateral Load Table Notes on page 47.

# Combined Axial and Lateral Load Tables



## 30 psf Lateral Load

Wall Height (ft)	Spacing (in.) o.c.	350S162-(mils)					362S137-(mils)				362S162-(mils)				
		33 ksi		50 ksi			33 ksi		50 ksi		33 ksi		50 ksi		
		33	43	54	68	97	33	43	54	68	33	43	54	68	97
8	12	0.81 a	1.53 a	3.01 a	4.11 a	5.92 a	0.59 b	1.21 a	2.47 a	3.47 a	0.88 a	1.63 a	3.2 a	4.41 a	6.34 a
	16	0.46 c	1.17 b	2.67 a	3.76 a	5.4 a	0.27 c	0.88 b	2.16 a	3.14 a	0.53 b	1.27 a	2.85 a	4.05 a	5.81 a
	24		0.5 d	2.03 c	3.09 a	4.44 a		0.27 d	1.59 c	2.52 b		0.6 c	2.21 b	3.37 a	4.83 a
9	12	0.49 c	1.16 b	2.51 a	3.51 a	5.01 a	0.32 c	0.89 b	2.08 a	2.98 a	0.56 c	1.26 a	2.71 a	3.8 a	5.43 a
	16	0.11 d	0.74 c	2.12 b	3.1 a	4.42 a		0.51 d	1.72 c	2.6 b	0.17 d	0.84 c	2.31 b	3.39 a	4.83 a
	24		0.01 e	1.41 d	2.36 c	3.36 b			1.07 d	1.9 d		0.09 d	1.58 d	2.62 c	3.73 a
10	12	0.2 d	0.8 c	2.02 b	2.91 a	4.12 a	0.06 e	0.58 d	1.68 c	2.48 b	0.26 d	0.89 c	2.22 b	3.19 a	4.52 a
	16		0.36 d	1.6 d	2.47 c	3.49 a		0.17 e	1.29 d	2.06 c		0.44 d	1.78 c	2.74 b	3.87 a
	24			0.86 e	1.69 d	2.38 c			0.59 e	1.31 e			1.01 e	1.92 d	2.71 c
12	12		0.18 e	1.17 e	1.85 d	2.57 c		0.04 e	0.95 e	1.55 d		0.26 e	1.32 d	2.07 d	2.89 b
	16			0.74 e	1.4 e	1.94 d			0.54 e	1.12 e			0.88 e	1.6 e	2.23 d
	24			0.01 f	0.61 f	0.85 e				0.36 f			0.1 f	0.77 f	1.08 e
14	12			0.56 f	1.07 e	1.47 d			0.41 f	0.86 e			0.67 f	1.23 e	1.7 d
	16			0.16 f	0.64 f	0.88 e			0.02 f	0.44 f			0.24 f	0.78 f	1.07 e
	24														
16	12			0.15 f	0.54 f	0.74 e			0.04 f	0.38 f			0.22 f	0.65 f	0.89 e
	16				0.14 f	0.19 f								0.23 f	0.31 f
	24														

## 30 psf Lateral Load

Wall Height (ft)	Spacing (in.) o.c.	362S200-(mils)					400S137-(mils)				400S162-(mils)				
		33 ksi		50 ksi			33 ksi		50 ksi		33 ksi		50 ksi		
		33	43	54	68	97	33	43	54	68	33	43	54	68	97
8	12	1.18 a	2.17 a	4.11 a	5.62 a	7.92 a	0.75 a	1.43 a	2.85 a	4.11 a	1.08 a	1.9 a	3.69 a	5.22 a	7.57 a
	16	0.8 b	1.76 a	3.71 a	5.22 a	7.36 a	0.44 b	1.11 a	2.55 a	3.78 a	0.73 a	1.55 a	3.35 a	4.86 a	7.04 a
	24	0.1 d	1.02 b	2.98 a	4.48 a	6.31 a		0.5 c	1.97 b	3.16 a	0.1 c	0.88 b	2.7 a	4.18 a	6.03 a
9	12	0.82 b	1.73 a	3.5 a	4.88 a	6.84 a	0.48 b	1.12 a	2.48 a	3.68 a	0.76 b	1.54 a	3.23 a	4.66 a	6.68 a
	16	0.39 c	1.27 b	3.04 a	4.42 a	6.2 a	0.12 d	0.74 c	2.12 a	3.28 a	0.37 c	1.13 b	2.82 a	4.22 a	6.05 a
	24		0.44 d	2.22 c	3.58 b	5.01 a		0.05 d	1.45 c	2.54 c		0.36 d	2.07 c	3.42 b	4.88 a
10	12	0.48 c	1.3 b	2.89 a	4.13 a	5.77 a	0.21 d	0.81 c	2.09 b	3.17 a	0.45 c	1.18 b	2.74 a	4.05 a	5.74 a
	16	0.01 d	0.8 d	2.4 c	3.63 b	5.07 a		0.38 d	1.68 c	2.72 b	0.02 d	0.71 c	2.28 b	3.56 a	5.04 a
	24			1.53 d	2.73 d	3.81 b			0.94 e	1.91 d			1.46 d	2.67 c	3.77 b
12	12		0.54 d	1.8 d	2.77 c	3.83 a		0.22 e	1.32 d	2.16 c		0.49 d	1.79 d	2.82 c	3.94 a
	16		0.01 e	1.29 e	2.24 d	3.1 c			0.86 e	1.66 d			1.29 e	2.28 d	3.18 c
	24			0.41 f	1.33 e	1.84 d			0.07 f	0.79 e			0.41 f	1.33 e	1.85 d
14	12			0.99 e	1.74 e	2.38 d			0.68 e	1.31 e			1.02 e	1.79 d	2.47 c
	16			0.51 f	1.23 e	1.69 e			0.23 f	0.82 f			0.52 f	1.26 e	1.74 d
	24				0.37 f	0.51 f								0.35 f	0.48 e
16	12			0.43 f	1.02 f	1.39 e			0.22 f	0.69 f			0.46 f	1.05 e	1.43 e
	16				0.55 f	0.75 f								0.55 f	0.75 e
	24														

See Combined Axial and Lateral Load Table Notes on page 47.

## 30 psf Lateral Load

Wall Height (ft)	Spacing (in.) o.c.	400S200-(mils)					550S162-(mils)					600S137-(mils)				
		33 ksi		50 ksi			33 ksi		50 ksi			33 ksi		50 ksi		
		33	43	54	68	97	33	43	54	68	97	33	43	54	68	97
8	12	1.4 a	2.49 a	4.73 a	6.58 a	9.39 a	1.64 a	2.62 a	4.91 a	6.74 a	10.15 a	1.19 a	1.95 a	3.34 a	4.59 a	7.06 a
	16	1.03 a	2.1 a	4.35 a	6.18 a	8.82 a	1.35 a	2.34 a	4.63 a	6.46 a	9.73 a	0.97 a	1.73 a	3.15 a	4.4 a	6.87 a
	24	0.34 c	1.37 a	3.61 a	5.42 a	7.73 a	0.79 a	1.78 a	4.09 a	5.91 a	8.9 a	0.53 a	1.3 a	2.78 a	4.04 a	6.49 a
9	12	1.05 a	2.07 a	4.15 a	5.88 a	8.33 a	1.38 a	2.35 a	4.62 a	6.47 a	9.74 a	1.01 a	1.76 a	3.17 a	4.42 a	6.89 a
	16	0.62 b	1.61 a	3.69 a	5.4 a	7.64 a	1.03 a	2 a	4.27 a	6.12 a	9.19 a	0.73 a	1.48 a	2.93 a	4.19 a	6.64 a
	24		0.77 c	2.84 b	4.51 a	6.38 a	0.35 a	1.31 a	3.59 a	5.42 a	8.14 a	0.19 a	0.95 a	2.47 a	3.73 a	6.15 a
10	12	0.7 b	1.64 a	3.54 a	5.14 a	7.21 a	1.1 a	2.05 a	4.26 a	6.15 a	9.25 a	0.8 a	1.55 a	2.98 a	4.23 a	6.68 a
	16	0.23 d	1.13 c	3.03 a	4.6 a	6.45 a	0.69 a	1.63 a	3.84 a	5.71 a	8.57 a	0.47 a	1.22 a	2.69 a	3.94 a	6.37 a
	24		0.21 d	2.1 c	3.61 c	5.06 a		0.83 b	3.03 a	4.86 a	7.28 a		0.58 a	2.12 a	3.37 a	5.77 a
12	12	0.07 e	0.84 d	2.39 c	3.67 b	5.08 a	0.52 b	1.4 a	3.43 a	5.16 a	8.02 a	0.35 b	1.08 a	2.54 a	3.78 a	6.18 a
	16		0.27 e	1.82 d	3.06 c	4.24 b		0.85 b	2.87 a	4.57 a	7.07 a		0.63 b	2.13 a	3.36 a	5.73 a
	24			0.84 e	2.01 e	2.78 d			1.85 c	3.48 b	5.35 a			1.35 c	2.57 b	4.86 a
14	12		0.19 e	1.44 e	2.41 d	3.31 c		0.74 c	2.53 b	4.06 a	6.2 a		0.57 c	2.02 b	3.23 a	5.55 a
	16			0.88 e	1.82 e	2.5 d		0.11 d	1.89 d	3.36 c	5.12 a		0.01 d	1.5 c	2.68 b	4.94 a
	24				0.8 f	1.11 e			0.75 e	2.12 d	3.21 c			0.54 e	1.68 d	3.81 c
16	12			0.75 f	1.5 e	2.05 d		0.14 e	1.69 d	2.98 c	4.49 b		0.05 d	1.47 d	2.61 c	4.79 a
	16			0.23 f	0.94 f	1.29 e			1.02 e	2.24 d	3.36 c			0.85 e	1.95 d	4.04 c
	24								0.96 e	1.43 e				0.79 e	2.7 d	

## 30 psf Lateral Load

Wall Height (ft)	Spacing (in.) o.c.	600S162-(mils)					600S200-(mils)					800S137-(mils)				
		33 ksi		50 ksi			33 ksi		50 ksi			33 ksi		50 ksi		
		33	43	54	68	97	33	43	54	68	97	33	43	54	68	97
8	12	1.73 a	2.72 a	4.97 a	6.82 a	10.72 a	2.15 a	3.56 a	6.71 a	9.21 a	14.83 a	1.3 a*	2.03 a	3.25 a	4.44 a	6.94 a
	16	1.47 a	2.46 a	4.73 a	6.57 a	10.46 a	1.88 a	3.27 a	6.42 a	8.92 a	14.52 a	1.14 a*	1.88 a	3.12 a	4.32 a	6.83 a
	24	0.95 a	1.95 a	4.24 a	6.09 a	9.94 a	1.34 a	2.69 a	5.84 a	8.33 a	13.9 a	0.82 a*	1.57 a	2.87 a	4.08 a	6.6 a
9	12	1.51 a	2.5 a	4.75 a	6.59 a	10.47 a	1.9 a	3.27 a	6.35 a	8.82 a	14.33 a	1.17 a*	1.91 a	3.14 a	4.34 a	6.85 a
	16	1.18 a	2.17 a	4.43 a	6.28 a	10.13 a	1.56 a	2.91 a	5.98 a	8.44 a	13.93 a	0.96 a*	1.71 a	2.98 a	4.19 a	6.7 a
	24	0.54 a	1.53 a	3.82 a	5.66 a	9.47 a	0.9 a	2.2 a	5.26 a	7.7 a	13.14 a	0.56 a*	1.32 a	2.67 a	3.88 a	6.41 a
10	12	1.26 a	2.24 a	4.49 a	6.33 a	10.18 a	1.63 a	2.96 a	5.94 a	8.35 a	13.73 a	1.02 a*	1.76 a	3.03 a	4.23 a	6.74 a
	16	0.86 a	1.85 a	4.1 a	5.93 a	9.75 a	1.22 a	2.51 a	5.49 a	7.89 a	13.23 a	0.77 a*	1.52 a	2.83 a	4.03 a	6.55 a
	24	0.11 b	1.08 a	3.35 a	5.17 a	8.92 a	0.44 a	1.67 a	4.62 a	7 a	12.25 a	0.28 a*	1.04 a	2.43 a	3.65 a	6.19 a
12	12	0.7 a	1.64 a	3.83 a	5.68 a	9.43 a	1.03 a	2.24 a	4.98 a	7.24 a	12.24 a	0.68 a*	1.43 a	2.74 a	3.95 a	6.47 a
	16	0.19 c	1.11 a	3.29 a	5.11 a	8.8 a	0.5 b	1.66 a	4.37 a	6.61 a	11.52 a	0.33 a*	1.09 a	2.46 a	3.67 a	6.2 a
	24		0.13 c	2.29 b	4.05 a	7.6 a		0.57 c	3.24 b	5.41 a	10.18 a		0.42 a	1.9 a	3.13 a	5.67 a
14	12	0.14 c	0.99 b	2.98 a	4.69 a	8.41 a	0.42 c	1.48 a	3.92 a	5.96 a	10.44 a	0.29 a*	1.04 a	2.41 a	3.62 a	6.14 a
	16		0.36 d	2.33 c	3.99 a	7.57 a		0.79 c	3.19 b	5.19 a	9.55 a		0.59 a	2.02 a	3.24 a	5.77 a
	24			1.16 d	2.73 c	6.05 b			1.88 d	3.78 c	7.92 a			1.28 b	2.51 a	5.05 a
16	12		0.38 d	2.13 c	3.62 b	6.81 a		0.77 c	2.88 b	4.66 a	8.54 a		0.61 a	2.02 a	3.22 a	5.74 a
	16			1.42 d	2.85 c	5.87 b		0.01 d	2.09 d	3.81 c	7.54 a		0.06 c	1.53 b	2.74 a	5.25 a
	24			0.18 e	1.49 e	4.21 d			0.7 e	2.3 d	5.77 c			0.61 d	1.81 c	4.32 a

See Combined Axial and Lateral Load Table Notes on page 47.

30 psf Lateral Load											
Wall Height (ft)	Spacing (in.) o.c.	800S162-(mils)					800S200-(mils)				
		33 ksi		50 ksi			33 ksi		50 ksi		
		33	43	54	68	97	33	43	54	68	97
8	12	1.9 a*	2.89 a	5.01 a	6.84 a	10.86 a	2.44 a*	3.93 a	7.21 a	9.76 a	15.46 a
	16	1.71 a*	2.7 a	4.84 a	6.67 a	10.7 a	2.23 a*	3.71 a	6.99 a	9.55 a	15.25 a
	24	1.33 a*	2.33 a	4.5 a	6.34 a	10.38 a	1.82 a*	3.28 a	6.57 a	9.13 a	14.84 a
9	12	1.75 a*	2.73 a	4.87 a	6.69 a	10.72 a	2.27 a*	3.74 a	7.02 a	9.58 a	15.28 a
	16	1.5 a*	2.5 a	4.65 a	6.49 a	10.51 a	2.01 a*	3.47 a	6.75 a	9.31 a	15.01 a
	24	1.02 a*	2.03 a	4.22 a	6.07 a	10.1 a	1.49 a*	2.92 a	6.21 a	8.78 a	14.48 a
10	12	1.57 a*	2.56 a	4.7 a	6.53 a	10.56 a	2.07 a*	3.54 a	6.81 a	9.37 a	15.06 a
	16	1.27 a*	2.27 a	4.44 a	6.27 a	10.3 a	1.75 a*	3.2 a	6.47 a	9.03 a	14.73 a
	24	0.68 a*	1.7 a	3.91 a	5.75 a	9.79 a	1.12 a*	2.53 a	5.8 a	8.37 a	14.07 a
12	12	1.16 a*	2.15 a	4.31 a	6.15 a	10.17 a	1.63 a*	3.05 a	6.3 a	8.85 a	14.54 a
	16	0.74 a*	1.74 a	3.93 a	5.76 a	9.78 a	1.17 a*	2.57 a	5.81 a	8.36 a	14.04 a
	24		0.95 a	3.17 a	5.02 a	9.03 a	0.31 a*	1.64 a	4.85 a	7.41 a	13.06 a
14	12	0.69 a*	1.68 a	3.84 a	5.67 a	9.66 a	1.1 a*	2.46 a	5.59 a	8.16 a	13.85 a
	16	0.15 b*	1.14 a	3.32 a	5.14 a	9.13 a	0.52 a*	1.83 a	4.94 a	7.49 a	13.15 a
	24		0.12 b	2.33 a	4.14 a	8.09 a		0.64 a	3.69 a	6.21 a	11.8 a
16	12	0.19 b*	1.15 a	3.29 a	5.09 a	9.04 a	0.54 a*	1.79 a	4.71 a	7.13 a	12.65 a
	16		0.49 b	2.63 a	4.42 a	8.34 a		1.03 a	3.91 a	6.31 a	11.75 a
	24			1.41 c	3.16 b	7 a			2.44 b	4.77 a	10.06 a

See Combined Axial and Lateral Load Table Notes on page 47.

# Combined Axial and Lateral Load Tables



## 35 psf Lateral Load

Wall Height (ft)	Spacing (in.) o.c.	350S162-(mils)					362S137-(mils)				362S162-(mils)				
		33 ksi		50 ksi			33 ksi		50 ksi		33 ksi		50 ksi		
		33	43	54	68	97	33	43	54	68	33	43	54	68	97
8	12	0.63 b	1.34 a	2.84 a	3.93 a	5.66 a	0.43 b	1.04 a	2.32 a	3.3 a	0.7 b	1.45 a	3.02 a	4.23 a	6.07 a
	16	0.24 d	0.93 b	2.45 a	3.53 a	5.07 a	0.08 d	0.67 c	1.96 b	2.93 a	0.31 c	1.04 b	2.63 a	3.82 a	5.48 a
	24		0.19 d	1.73 c	2.78 b	3.98 a			1.32 d	2.23 c		0.28 d	1.9 c	3.06 b	4.37 a
9	12	0.3 d	0.95 c	2.31 b	3.3 a	4.71 a	0.14 d	0.7 c	1.9 b	2.79 a	0.36 c	1.05 b	2.5 a	3.59 a	5.12 a
	16		0.49 d	1.87 c	2.85 b	4.05 a		0.27 d	1.49 c	2.36 b		0.58 d	2.06 c	3.12 b	4.45 a
	24			1.09 e	2.02 d	2.87 c			0.77 e	1.58 d			1.25 d	2.27 d	3.22 b
10	12		0.57 d	1.8 c	2.69 b	3.8 a		0.37 d	1.48 c	2.27 c	0.05 e	0.66 d	1.99 c	2.96 b	4.19 a
	16		0.08 e	1.34 d	2.2 d	3.11 b			1.04 d	1.8 d		0.17 e	1.51 d	2.45 c	3.46 b
	24			0.53 e	1.33 e	1.88 d			0.28 e	0.97 e			0.66 e	1.55 e	2.18 d
12	12			0.95 e	1.61 d	2.25 c			0.74 e	1.33 e		0.01 e	1.09 e	1.83 d	2.55 c
	16			0.49 f	1.12 e	1.56 d			0.29 f	0.85 e			0.6 e	1.31 e	1.82 d
	24				0.26 f	0.37 e				0.02 f				0.4 f	0.56 e
14	12			0.36 f	0.85 f	1.17 e			0.21 f	0.65 f			0.45 f	1 e	1.38 e
	16				0.38 f	0.53 f				0.19 f				0.51 f	0.69 e
	24														
16	12				0.34 f	0.46 f				0.18 f			0.02 f	0.43 f	0.59 f
	16														
	24														

## 35 psf Lateral Load

Wall Height (ft)	Spacing (in.) o.c.	362S200-(mils)					400S137-(mils)				400S162-(mils)				
		33 ksi		50 ksi			33 ksi		50 ksi		33 ksi		50 ksi		
		33	43	54	68	97	33	43	54	68	33	43	54	68	97
8	12	0.98 a	1.96 a	3.91 a	5.42 a	7.63 a	0.59 a	1.27 a	2.7 a	3.94 a	0.9 a	1.72 a	3.52 a	5.04 a	7.3 a
	16	0.56 b	1.51 a	3.46 a	4.97 a	7 a	0.24 c	0.9 a	2.35 a	3.57 a	0.52 b	1.32 a	3.13 a	4.63 a	6.69 a
	24		0.68 c	2.63 b	4.13 a	5.81 a		0.22 c	1.7 c	2.86 a		0.57 c	2.4 b	3.85 a	5.55 a
9	12	0.6 c	1.49 a	3.27 a	4.65 a	6.51 a	0.3 c	0.93 b	2.3 a	3.48 a	0.56 b	1.33 a	3.02 a	4.44 a	6.36 a
	16	0.12 d	0.98 c	2.76 b	4.13 a	5.79 a		0.5 c	1.89 b	3.03 a	0.12 d	0.86 c	2.56 a	3.95 a	5.64 a
	24		0.06 d	1.84 d	3.19 c	4.46 a			1.14 d	2.2 c		0.01 d	1.72 c	3.04 c	4.34 a
10	12	0.24 d	1.04 c	2.64 b	3.88 a	5.41 a	0.01 d	0.59 c	1.88 b	2.94 a	0.23 d	0.94 c	2.5 b	3.8 a	5.38 a
	16		0.49 d	2.09 c	3.32 b	4.63 a		0.12 d	1.42 d	2.44 c		0.42 d	1.99 c	3.25 b	4.59 a
	24			1.13 e	2.32 d	3.23 c			0.6 e	1.53 d			1.08 e	2.26 d	3.19 c
12	12		0.27 e	1.54 d	2.5 d	3.45 b			1.08 e	1.9 d		0.23 e	1.53 d	2.54 c	3.55 b
	16			0.98 e	1.92 e	2.66 d			0.58 e	1.35 e			0.98 e	1.95 d	2.71 c
	24			0.03 f	0.92 f	1.27 e				0.4 f			0.02 f	0.9 e	1.26 e
14	12			0.74 e	1.48 e	2.03 d			0.45 f	1.05 e			0.76 e	1.52 e	2.09 d
	16			0.22 f	0.93 f	1.28 e				0.52 f			0.22 f	0.94 f	1.29 e
	24														
16	12			0.2 f	0.78 f	1.06 e				0.45 f			0.21 f	0.79 f	1.08 e
	16				0.27 f	0.37 f								0.25 f	0.34 f
	24														

See Combined Axial and Lateral Load Table Notes on page 47.



# Combined Axial and Lateral Load Tables



## 35 psf Lateral Load

Wall Height (ft)	Spacing (in.) o.c.	400S200-(mils)					550S162-(mils)					600S137-(mils)				
		33 ksi		50 ksi			33 ksi		50 ksi			33 ksi		50 ksi		
		33	43	54	68	97	33	43	54	68	97	33	43	54	68	97
8	12	1.21 a	2.3 a	4.54 a	6.38 a	9.1 a	1.49 a	2.48 a	4.77 a	6.6 a	9.94 a	1.08 a	1.84 a	3.24 a	4.49 a	6.96 a
	16	0.79 a	1.85 a	4.1 a	5.92 a	8.45 a	1.16 a	2.15 a	4.45 a	6.28 a	9.45 a	0.82 a	1.58 a	3.03 a	4.28 a	6.74 a
	24	0.02 c	1.02 b	3.26 a	5.06 a	7.21 a	0.52 a	1.51 a	3.82 a	5.65 a	8.49 a	0.32 a	1.09 a	2.6 a	3.86 a	6.3 a
9	12	0.83 b	1.84 a	3.92 a	5.64 a	7.98 a	1.2 a	2.17 a	4.45 a	6.29 a	9.46 a	0.87 a	1.62 a	3.05 a	4.31 a	6.76 a
	16	0.35 c	1.32 b	3.4 a	5.1 a	7.21 a	0.8 a	1.77 a	4.04 a	5.88 a	8.83 a	0.55 a	1.3 a	2.78 a	4.03 a	6.47 a
	24		0.38 d	2.44 c	4.1 b	5.78 a	0.03 b	0.98 a	3.27 a	5.09 a	7.62 a		0.69 a	2.24 a	3.5 a	5.91 a
10	12	0.46 c	1.38 b	3.28 a	4.86 a	6.82 a	0.89 a	1.84 a	4.05 a	5.93 a	8.91 a	0.63 a	1.38 a	2.84 a	4.09 a	6.53 a
	16		0.81 c	2.71 b	4.25 a	5.96 a	0.42 b	1.36 a	3.56 a	5.42 a	8.13 a	0.25 a	1 a	2.5 a	3.75 a	6.17 a
	24			1.67 d	3.16 c	4.42 b		0.44 b	2.64 a	4.46 a	6.66 a		0.27 b	1.84 a	3.09 a	5.47 a
12	12		0.55 d	2.1 c	3.36 c	4.65 a	0.25 c	1.12 b	3.14 a	4.86 a	7.54 a	0.13 c	0.85 a	2.33 a	3.57 a	5.95 a
	16			1.47 d	2.69 d	3.73 b		0.51 c	2.52 b	4.19 a	6.48 a		0.34 c	1.86 b	3.09 a	5.43 a
	24			0.39 e	1.53 e	2.12 d			1.38 d	2.97 c	4.55 a			0.98 d	2.19 c	4.44 a
14	12			1.15 e	2.11 d	2.9 c		0.42 d	2.2 c	3.7 b	5.65 a		0.28 d	1.75 c	2.95 a	5.24 a
	16			0.54 f	1.46 e	2.01 d			1.49 d	2.93 c	4.45 b			1.16 d	2.33 c	4.55 a
	24				0.35 f	0.49 e			0.24 e	1.56 e	2.35 d			0.1 e	1.21 d	3.28 c
16	12			0.48 f	1.21 e	1.66 e			1.35 d	2.6 d	3.91 b			1.15 d	2.27 c	4.41 b
	16				0.61 f	0.83 e			0.61 e	1.79 e	2.68 d			0.47 e	1.55 d	3.58 c
	24								0.38 f	0.57 e				0.27 e	2.1 e	

## 35 psf Lateral Load

Wall Height (ft)	Spacing (in.) o.c.	600S162-(mils)					600S200-(mils)					800S137-(mils)				
		33 ksi		50 ksi			33 ksi		50 ksi			33 ksi		50 ksi		
		33	43	54	68	97	33	43	54	68	97	33	43	54	68	97
8	12	1.6 a	2.59 a	4.85 a	6.69 a	10.59 a	2.01 a	3.41 a	6.56 a	9.06 a	14.68 a	1.22 a*	1.96 a	3.19 a	4.38 a	6.89 a
	16	1.3 a	2.29 a	4.56 a	6.41 a	10.29 a	1.7 a	3.07 a	6.22 a	8.72 a	14.31 a	1.03 a*	1.78 a	3.04 a	4.24 a	6.75 a
	24	0.7 a	1.7 a	4 a	5.85 a	9.69 a	1.07 a	2.41 a	5.55 a	8.05 a	13.59 a	0.66 a*	1.42 a	2.75 a	3.96 a	6.49 a
9	12	1.34 a	2.33 a	4.59 a	6.43 a	10.3 a	1.73 a	3.09 a	6.17 a	8.63 a	14.13 a	1.06 a*	1.81 a	3.06 a	4.26 a	6.77 a
	16	0.96 a	1.95 a	4.23 a	6.07 a	9.91 a	1.34 a	2.67 a	5.74 a	8.19 a	13.66 a	0.83 a*	1.58 a	2.88 a	4.08 a	6.6 a
	24	0.24 a	1.23 a	3.52 a	5.36 a	9.14 a	0.58 a	1.85 a	4.9 a	7.35 a	12.75 a	0.36 a*	1.13 a	2.51 a	3.73 a	6.26 a
10	12	1.06 a	2.04 a	4.3 a	6.13 a	9.96 a	1.42 a	2.73 a	5.71 a	8.12 a	13.48 a	0.89 a*	1.64 a	2.93 a	4.13 a	6.65 a
	16	0.61 a	1.59 a	3.85 a	5.68 a	9.47 a	0.95 a	2.23 a	5.19 a	7.59 a	12.9 a	0.6 a*	1.36 a	2.69 a	3.91 a	6.43 a
	24		0.72 a	2.99 a	4.8 a	8.52 a	0.07 b	1.26 a	4.2 a	6.56 a	11.78 a	0.03 a*	0.81 a	2.24 a	3.47 a	6.01 a
12	12	0.44 b	1.37 a	3.56 a	5.39 a	9.11 a	0.76 a	1.94 a	4.67 a	6.92 a	11.88 a	0.5 a*	1.26 a	2.6 a	3.81 a	6.34 a
	16		0.77 b	2.95 a	4.75 a	8.39 a	0.16 c	1.28 a	3.98 a	6.2 a	11.07 a	0.1 a*	0.86 a	2.27 a	3.49 a	6.03 a
	24			1.82 c	3.55 b	7.04 a		0.06 c	2.7 b	4.85 a	9.55 a		0.1 a	1.62 a	2.86 a	5.41 a
14	12		0.67 c	2.65 b	4.33 a	7.99 a	0.1 c	1.13 b	3.55 a	5.57 a	9.98 a	0.07 b*	0.81 a	2.21 a	3.43 a	5.95 a
	16			1.93 c	3.55 b	7.04 a		0.36 d	2.74 c	4.7 b	8.98 a		0.3 b	1.77 a	2.99 a	5.53 a
	24			0.63 e	2.14 d	5.34 c			1.28 d	3.14 d	7.17 b			0.92 c	2.15 a	4.7 a
16	12		0.02 d	1.77 d	3.22 c	6.33 a		0.38 d	2.48 c	4.22 b	8.02 a		0.33 b	1.77 a	2.98 a	5.49 a
	16			0.99 e	2.37 d	5.29 c			1.6 d	3.28 c	6.92 b			1.22 c	2.42 a	4.94 a
	24				0.87 e	3.47 d			0.08 e	1.62 e	4.97 d			0.18 d	1.37 c	3.87 b

See Combined Axial and Lateral Load Table Notes on page 47.

# Combined Axial and Lateral Load Tables



35 psf Lateral Load											
Wall Height (ft)	Spacing (in.) o.c.	800S162-(mils)					800S200-(mils)				
		33 ksi		50 ksi			33 ksi		50 ksi		
		33	43	54	68	97	33	43	54	68	97
8	12	1.81 a*	2.79 a	4.92 a	6.75 a	10.78 a	2.34 a*	3.82 a	7.1 a	9.65 a	15.35 a
	16	1.58 a*	2.58 a	4.73 a	6.56 a	10.59 a	2.1 a*	3.57 a	6.85 a	9.41 a	15.11 a
	24	1.14 a*	2.15 a	4.34 a	6.18 a	10.22 a	1.62 a*	3.07 a	6.36 a	8.93 a	14.64 a
9	12	1.62 a*	2.61 a	4.76 a	6.59 a	10.62 a	2.14 a*	3.61 a	6.89 a	9.44 a	15.14 a
	16	1.34 a*	2.34 a	4.51 a	6.35 a	10.38 a	1.83 a*	3.29 a	6.57 a	9.13 a	14.83 a
	24	0.78 a*	1.8 a	4.01 a	5.86 a	9.9 a	1.23 a*	2.66 a	5.94 a	8.52 a	14.22 a
10	12	1.42 a*	2.41 a	4.57 a	6.4 a	10.43 a	1.91 a*	3.37 a	6.64 a	9.2 a	14.9 a
	16	1.07 a*	2.08 a	4.26 a	6.1 a	10.13 a	1.54 a*	2.97 a	6.25 a	8.81 a	14.51 a
	24	0.4 a*	1.42 a	3.65 a	5.5 a	9.53 a	0.81 a*	2.2 a	5.47 a	8.05 a	13.74 a
12	12	0.95 a*	1.94 a	4.12 a	5.95 a	9.97 a	1.4 a*	2.81 a	6.05 a	8.61 a	14.29 a
	16	0.47 a*	1.47 a	3.67 a	5.51 a	9.53 a	0.88 a*	2.26 a	5.48 a	8.04 a	13.71 a
	24		0.56 a	2.81 a	4.65 a	8.66 a		1.18 a	4.38 a	6.94 a	12.58 a
14	12	0.42 a*	1.4 a	3.58 a	5.4 a	9.39 a	0.81 a*	2.14 a	5.26 a	7.82 a	13.5 a
	16		0.79 a	2.98 a	4.8 a	8.78 a	0.15 b*	1.42 a	4.51 a	7.05 a	12.69 a
	24			1.85 b	3.66 a	7.59 a		0.08 b	3.1 a	5.6 a	11.15 a
16	12		0.81 b	2.96 a	4.75 a	8.69 a	0.19 b*	1.41 a	4.3 a	6.72 a	12.2 a
	16		0.07 c	2.22 b	3.99 a	7.88 a		0.55 b	3.4 a	5.78 a	11.17 a
	24			0.84 d	2.57 c	6.36 a			1.75 c	4.04 b	9.26 a

See Combined Axial and Lateral Load Table Notes on page 47.

# Combined Axial and Lateral Load Tables



## 40 psf Lateral Load

Wall Height (ft)	Spacing (in.) o.c.	350S162-(mils)					362S137-(mils)				362S162-(mils)							
		33 ksi		50 ksi			33 ksi		50 ksi		33 ksi		50 ksi					
		33	43	54	68	97	33	43	54	68	33	43	54	68	97			
8	12	0.46 c	1.17 b	2.67 a	3.76 a	5.4 a	0.27 c	0.88 b	2.16 a	3.14 a	0.53 b	1.27 a	2.85 a	4.05 a	5.81 a			
	16	0.03 d	0.71 c	2.24 b	3.31 a	4.75 a			0.46 c	1.77 b			2.72 a	0.1 d	0.81 c	2.42 b	3.59 a	5.15 a
	24			1.44 d	2.48 c	3.55 a			1.05 d	1.95 c			1.61 d	2.75 c	3.93 a			
9	12	0.11 d	0.74 c	2.12 b	3.1 a	4.42 a	0.51 d	1.72 c	2.6 b	0.17 d	0.84 c	2.31 b	3.39 a	4.83 a				
	16		0.24 d	1.64 d	2.6 c	3.7 a			0.05 e			1.28 d	2.12 c	0.33 d	1.82 c	2.87 b	4.08 a	
	24			0.78 e	1.69 d	2.4 c			0.49 e			1.27 e	0.93 e	1.93 d	2.74 c			
10	12		0.36 d	1.6 d	2.47 c	3.49 a	0.17 e	1.29 d	2.06 c	0.44 d	1.78 c	2.74 b	3.87 a					
	16			1.1 e	1.94 d	2.73 c			0.81 e			1.55 d	1.26 d	2.18 d	3.08 b			
	24			0.21 f	0.99 e	1.4 d						0.65 e	0.33 e	1.2 e	1.69 d			
12	12			0.74 e	1.4 e	1.94 d		0.54 e	1.12 e		0.88 e	1.6 e	2.23 d					
	16			0.24 f	0.86 e	1.19 e		0.06 f	0.6 f		0.35 f	1.03 e	1.44 e					
	24											0.06 f	0.08 f					
14	12			0.16 f	0.64 f	0.88 e		0.02 f	0.44 f			0.24 f	0.78 f	1.07 e				
	16				0.14 f	0.19 f							0.25 f	0.34 f				
	24																	
16	12				0.14 f	0.19 f							0.23 f	0.31 f				
	16																	
	24																	

## 40 psf Lateral Load

Wall Height (ft)	Spacing (in.) o.c.	362S200-(mils)					400S137-(mils)				400S162-(mils)						
		33 ksi		50 ksi			33 ksi		50 ksi		33 ksi		50 ksi				
		33	43	54	68	97	33	43	54	68	33	43	54	68	97		
8	12	0.8 b	1.76 a	3.71 a	5.22 a	7.36 a	0.44 b	1.11 a	2.55 a	3.78 a	0.73 a	1.55 a	3.35 a	4.86 a	7.04 a		
	16	0.32 c	1.26 b	3.22 a	4.72 a	6.65 a	0.05 c	0.7 b	2.16 a	3.36 a	0.3 c	1.1 a	2.91 a	4.4 a	6.36 a		
	24		0.34 d	2.3 c	3.79 b	5.33 a			1.44 c	2.57 b		0.27 c	2.1 b	3.53 a	5.09 a		
9	12	0.39 c	1.27 b	3.04 a	4.42 a	6.2 a	0.12 d	0.74 c	2.12 a	3.28 a	0.37 c	1.13 b	2.82 a	4.22 a	6.05 a		
	16		0.71 c	2.48 c	3.85 a	5.39 a			0.27 d	1.67 c			2.78 b	0.61 c	2.31 b	3.68 a	5.26 a
	24			1.48 d	2.82 c	3.94 b				0.84 d			1.87 d	1.38 d	2.68 c	3.82 b	
10	12	0.01 d	0.8 d	2.4 c	3.63 b	5.07 a	0.38 d	1.68 c	2.72 b	0.02 d	0.71 c	2.28 b	3.56 a	5.04 a			
	16		0.2 e	1.8 d	3.02 c	4.21 a						1.18 d	2.17 c	0.15 d	1.72 d	2.95 c	4.17 a
	24			0.76 e	1.93 e	2.69 c						0.28 e	1.18 e		0.72 e	1.87 d	2.63 c
12	12		0.01 e	1.29 e	2.24 d	3.1 c		0.86 e	1.66 d		1.29 e	2.28 d	3.18 c				
	16			0.69 e	1.62 e	2.24 d		0.32 f	1.06 e		0.69 e	1.63 e	2.27 d				
	24				0.54 f	0.74 e			0.03 f			0.5 f	0.7 e				
14	12			0.51 f	1.23 e	1.69 e		0.23 f	0.82 f			0.52 f	1.26 e	1.74 d			
	16				0.64 f	0.88 e			0.24 f				0.63 f	0.87 e			
	24																
16	12				0.55 f	0.75 f			0.23 f				0.55 f	0.75 e			
	16					0.01 f											
	24																

See Combined Axial and Lateral Load Table Notes on page 47.

# Combined Axial and Lateral Load Tables



## 40 psf Lateral Load

Wall Height (ft)	Spacing (in.) o.c.	400S200-(mils)					550S162-(mils)					600S137-(mils)				
		33 ksi		50 ksi			33 ksi		50 ksi			33 ksi		50 ksi		
		33	43	54	68	97	33	43	54	68	97	33	43	54	68	97
8	12	1.03 a	2.1 a	4.35 a	6.18 a	8.82 a	1.35 a	2.34 a	4.63 a	6.46 a	9.73 a	0.97 a	1.73 a	3.15 a	4.4 a	6.87 a
	16	0.57 b	1.61 a	3.85 a	5.67 a	8.08 a	0.98 a	1.96 a	4.27 a	6.09 a	9.17 a	0.68 a	1.44 a	2.9 a	4.16 a	6.61 a
	24		0.69 c	2.92 b	4.71 a	6.7 a	0.26 a	1.24 a	3.56 a	5.38 a	8.09 a	0.11 a	0.88 a	2.42 a	3.68 a	6.11 a
9	12	0.62 b	1.61 a	3.69 a	5.4 a	7.64 a	1.03 a	2 a	4.27 a	6.12 a	9.19 a	0.73 a	1.48 a	2.93 a	4.19 a	6.64 a
	16	0.09 d	1.04 b	3.11 a	4.8 a	6.78 a	0.57 a	1.54 a	3.82 a	5.65 a	8.48 a	0.37 a	1.13 a	2.62 a	3.88 a	6.31 a
	24		0.01 d	2.06 c	3.7 b	5.21 a		0.66 a	2.94 a	4.76 a	7.12 a		0.43 a	2.01 a	3.27 a	5.67 a
10	12	0.23 d	1.13 c	3.03 a	4.6 a	6.45 a	0.69 a	1.63 a	3.84 a	5.71 a	8.57 a	0.47 a	1.22 a	2.69 a	3.94 a	6.37 a
	16		0.5 d	2.4 c	3.93 b	5.5 a	0.16 b	1.09 a	3.29 a	5.14 a	7.7 a	0.04 b	0.79 a	2.31 a	3.56 a	5.97 a
	24			1.27 d	2.73 d	3.81 b		0.08 c	2.27 b	4.06 a	6.06 a			1.57 b	2.82 a	5.18 a
12	12		0.27 e	1.82 d	3.06 c	4.24 b		0.85 b	2.87 a	4.57 a	7.07 a		0.63 b	2.13 a	3.36 a	5.73 a
	16			1.15 e	2.34 d	3.24 c		0.18 d	2.18 c	3.83 b	5.9 a		0.06 c	1.6 b	2.82 a	5.14 a
	24			1.09 e	1.5 e			0.93 d	2.48 d	3.8 b			0.63 d	1.82 c	4.04 b	
14	12			0.88 e	1.82 e	2.5 d		0.11 d	1.89 d	3.36 c	5.12 a		0.01 d	1.5 c	2.68 b	4.94 a
	16			0.23 f	1.12 e	1.54 e			1.11 e	2.52 d	3.81 c			0.85 d	2 d	4.17 b
	24								1.02 e	1.54 d				0.77 e	2.78 d	
16	12			0.23 f	0.94 f	1.29 e			1.02 e	2.24 d	3.36 c			0.85 e	1.95 d	4.04 c
	16				0.3 f	0.4 f			0.22 f	1.36 e	2.04 d			0.11 e	1.16 e	3.13 d
	24															1.52 e

## 40 psf Lateral Load

Wall Height (ft)	Spacing (in.) o.c.	600S162-(mils)					600S200-(mils)					800S137-(mils)				
		33 ksi		50 ksi			33 ksi		50 ksi			33 ksi		50 ksi		
		33	43	54	68	97	33	43	54	68	97	33	43	54	68	97
8	12	1.47 a	2.46 a	4.73 a	6.57 a	10.46 a	1.88 a	3.27 a	6.42 a	8.92 a	14.52 a	1.14 a*	1.88 a	3.12 a	4.32 a	6.83 a
	16	1.12 a	2.12 a	4.4 a	6.25 a	10.11 a	1.52 a	2.88 a	6.03 a	8.53 a	14.1 a	0.92 a*	1.67 a	2.96 a	4.16 a	6.68 a
	24	0.45 a	1.45 a	3.77 a	5.61 a	9.43 a	0.81 a	2.13 a	5.27 a	7.76 a	13.29 a	0.5 a*	1.26 a	2.62 a	3.84 a	6.37 a
9	12	1.18 a	2.17 a	4.43 a	6.28 a	10.13 a	1.56 a	2.91 a	5.98 a	8.44 a	13.93 a	0.96 a*	1.71 a	2.98 a	4.19 a	6.7 a
	16	0.75 a	1.74 a	4.02 a	5.86 a	9.69 a	1.12 a	2.43 a	5.49 a	7.95 a	13.4 a	0.69 a*	1.45 a	2.77 a	3.98 a	6.51 a
	24		0.92 a	3.23 a	5.06 a	8.82 a	0.27 a	1.51 a	4.55 a	6.99 a	12.36 a	0.16 a*	0.94 a	2.35 a	3.58 a	6.12 a
10	12	0.86 a	1.85 a	4.1 a	5.93 a	9.75 a	1.22 a	2.51 a	5.49 a	7.89 a	13.23 a	0.77 a*	1.52 a	2.83 a	4.03 a	6.55 a
	16	0.36 a	1.33 a	3.6 a	5.42 a	9.19 a	0.69 a	1.94 a	4.9 a	7.29 a	12.57 a	0.44 a*	1.2 a	2.56 a	3.78 a	6.31 a
	24		0.36 b	2.64 a	4.44 a	8.12 a		0.86 a	3.78 a	6.14 a	11.31 a		0.58 a	2.04 a	3.28 a	5.83 a
12	12	0.19 c	1.11 a	3.29 a	5.11 a	8.8 a	0.5 b	1.66 a	4.37 a	6.61 a	11.52 a	0.33 a*	1.09 a	2.46 a	3.67 a	6.2 a
	16		0.45 c	2.61 b	4.4 a	7.99 a		0.92 b	3.6 a	5.8 a	10.62 a		0.64 a	2.08 a	3.31 a	5.85 a
	24			1.36 d	3.07 c	6.49 a			2.19 c	4.31 b	8.93 a			1.35 a	2.59 a	5.15 a
14	12		0.36 d	2.33 c	3.99 a	7.57 a		0.79 c	3.19 b	5.19 a	9.55 a		0.59 a	2.02 a	3.24 a	5.77 a
	16			1.54 d	3.13 c	6.53 a			2.3 c	4.23 b	8.44 a		0.02 b	1.52 a	2.75 a	5.29 a
	24			0.12 e	1.59 d	4.68 c			0.71 e	2.52 d	6.46 c			0.57 c	1.8 b	4.35 a
16	12			1.42 d	2.85 c	5.87 b		0.01 d	2.09 d	3.81 c	7.54 a		0.06 c	1.53 b	2.74 a	5.25 a
	16			0.57 e	1.92 d	4.74 c			1.14 e	2.78 d	6.33 c			0.91 c	2.11 b	4.63 a
	24				0.29 e	2.76 e				0.98 e	4.22 d			0.95 d	3.44 c	

See Combined Axial and Lateral Load Table Notes on page 47.

40 psf Lateral Load											
Wall Height (ft)	Spacing (in.) o.c.	800S162-(mils)					800S200-(mils)				
		33 ksi		50 ksi			33 ksi		50 ksi		
		33	43	54	68	97	33	43	54	68	97
8	12	1.71 a*	2.7 a	4.84 a	6.67 a	10.7 a	2.23 a*	3.71 a	6.99 a	9.55 a	15.25 a
	16	1.46 a*	2.45 a	4.62 a	6.45 a	10.49 a	1.96 a*	3.42 a	6.71 a	9.27 a	14.98 a
	24	0.95 a*	1.97 a	4.17 a	6.02 a	10.06 a	1.42 a*	2.85 a	6.15 a	8.72 a	14.43 a
9	12	1.5 a*	2.5 a	4.65 a	6.49 a	10.51 a	2.01 a*	3.47 a	6.75 a	9.31 a	15.01 a
	16	1.18 a*	2.19 a	4.37 a	6.21 a	10.24 a	1.66 a*	3.11 a	6.39 a	8.95 a	14.66 a
	24	0.55 a*	1.57 a	3.8 a	5.66 a	9.69 a	0.98 a*	2.39 a	5.68 a	8.25 a	13.96 a
10	12	1.27 a*	2.27 a	4.44 a	6.27 a	10.3 a	1.75 a*	3.2 a	6.47 a	9.03 a	14.73 a
	16	0.88 a*	1.89 a	4.08 a	5.93 a	9.96 a	1.33 a*	2.75 a	6.02 a	8.59 a	14.29 a
	24	0.11 a*	1.14 a	3.39 a	5.24 a	9.28 a	0.51 a*	1.88 a	5.14 a	7.72 a	13.42 a
12	12	0.74 a*	1.74 a	3.93 a	5.76 a	9.78 a	1.17 a*	2.57 a	5.81 a	8.36 a	14.04 a
	16	0.2 a*	1.21 a	3.42 a	5.26 a	9.28 a	0.59 a*	1.94 a	5.16 a	7.72 a	13.38 a
	24		0.18 a	2.45 a	4.29 a	8.29 a		0.74 a	3.92 a	6.48 a	12.1 a
14	12	0.15 b*	1.14 a	3.32 a	5.14 a	9.13 a	0.52 a*	1.83 a	4.94 a	7.49 a	13.15 a
	16		0.45 b	2.65 a	4.47 a	8.43 a		1.03 a	4.1 a	6.63 a	12.24 a
	24			1.39 c	3.19 a	7.1 a			2.52 b	5 a	10.51 a
16	12		0.49 b	2.63 a	4.42 a	8.34 a		1.03 a	3.91 a	6.31 a	11.75 a
	16			1.81 c	3.57 a	7.44 a		0.09 c	2.91 b	5.27 a	10.61 a
	24			0.29 d	2 c	5.75 b			1.09 d	3.35 c	8.49 a

See Combined Axial and Lateral Load Table Notes on page 47.

# Combined Axial and Lateral Load Tables



## 50 psf Lateral Load

Wall Height (ft)	Spacing (in.) o.c.	350S162-(mils)					362S137-(mils)				362S162-(mils)				
		33 ksi		50 ksi			33 ksi		50 ksi		33 ksi		50 ksi		
		33	43	54	68	97	33	43	54	68	33	43	54	68	97
8	12	0.14 d	0.82 c	2.34 b	3.42 a	4.91 a		0.56 c	1.87 b	2.83 a	0.2 c	0.92 b	2.52 a	3.7 a	5.31 a
	16		0.29 d	1.83 c	2.88 b	4.13 a		0.08 d	1.4 c	2.33 b		0.38 d	2 c	3.16 b	4.52 a
	24			0.9 e	1.91 d	2.72 c			0.56 e	1.42 d			1.06 d	2.16 d	3.08 b
9	12		0.36 d	1.76 c	2.72 b	3.88 a		0.16 d	1.39 d	2.24 c		0.46 d	1.94 c	3 b	4.26 a
	16			1.2 d	2.13 d	3.03 b			0.87 e	1.68 d			1.36 d	2.39 c	3.39 b
	24			0.2 e	1.08 e	1.52 d				0.68 e			0.34 e	1.3 e	1.84 d
10	12			1.22 d	2.07 d	2.92 c			0.93 e	1.67 d		0.03 e	1.38 d	2.32 c	3.27 b
	16			0.64 e	1.45 e	2.04 d			0.38 e	1.08 e			0.78 e	1.67 d	2.36 c
	24				0.36 f	0.51 e				0.05 f				0.54 e	0.76 e
12	12			0.36 f	0.99 e	1.37 e			0.18 f	0.72 e			0.47 f	1.17 e	1.63 d
	16				0.38 f	0.52 e				0.13 f				0.53 f	0.73 e
	24														
14	12				0.26 f	0.36 f				0.07 f				0.37 f	0.51 f
	16														
	24														
16	12														
	16														
	24														

## 50 psf Lateral Load

Wall Height (ft)	Spacing (in.) o.c.	362S200-(mils)					400S137-(mils)				400S162-(mils)				
		33 ksi		50 ksi			33 ksi		50 ksi		33 ksi		50 ksi		
		33	43	54	68	97	33	43	54	68	33	43	54	68	97
8	12	0.44 c	1.38 a	3.34 a	4.85 a	6.82 a	0.14 c	0.8 b	2.26 a	3.46 a	0.41 b	1.21 a	3.02 a	4.51 a	6.52 a
	16		0.79 c	2.75 b	4.25 a	5.97 a		0.31 c	1.79 b	2.96 a		0.67 c	2.5 a	3.96 a	5.71 a
	24			1.67 d	3.15 c	4.42 a			0.93 d	2.02 c			1.53 c	2.92 c	4.2 a
9	12		0.84 c	2.62 b	3.99 a	5.59 a		0.39 d	1.78 c	2.9 b		0.73 c	2.43 b	3.81 a	5.45 a
	16		0.18 d	1.97 d	3.32 c	4.64 a			1.24 d	2.31 c		0.13 d	1.83 c	3.17 b	4.52 a
	24			0.8 e	2.11 d	2.95 c			0.27 e	1.24 e			0.75 e	1.99 d	2.84 c
10	12		0.34 d	1.95 d	3.17 c	4.41 a			1.3 d	2.3 c		0.28 d	1.86 c	3.1 b	4.38 a
	16			1.26 e	2.46 d	3.42 c			0.71 e	1.66 d			1.2 d	2.39 d	3.38 b
	24			0.06 f	1.2 e	1.67 d				0.51 e			0.05 e	1.14 e	1.6 d
12	12			0.83 e	1.77 e	2.44 d			0.45 e	1.2 e			0.83 e	1.79 e	2.49 d
	16			0.15 f	1.06 e	1.46 e				0.52 f			0.15 f	1.04 e	1.45 e
	24														
14	12			0.08 f	0.78 f	1.08 e				0.38 f			0.08 f	0.78 f	1.08 e
	16				0.12 f	0.16 f								0.07 f	0.1 f
	24														
16	12				0.13 f	0.18 f								0.1 f	0.14 f
	16														
	24														

See Combined Axial and Lateral Load Table Notes on page 47.

# Combined Axial and Lateral Load Tables



## 50 psf Lateral Load

Wall Height (ft)	Spacing (in.) o.c.	400S200-(mils)					550S162-(mils)					600S137-(mils)				
		33 ksi		50 ksi			33 ksi		50 ksi			33 ksi		50 ksi		
		33	43	54	68	97	33	43	54	68	97	33	43	54	68	97
8	12	0.68 b	1.73 a	3.97 a	5.8 a	8.26 a	1.07 a	2.06 a	4.36 a	6.19 a	9.31 a	0.75 a	1.51 a	2.96 a	4.22 a	6.68 a
	16	0.12 c	1.14 b	3.38 a	5.18 a	7.38 a	0.61 a	1.6 a	3.91 a	5.74 a	8.62 a	0.39 a	1.16 a	2.66 a	3.92 a	6.36 a
	24		0.04 d	2.27 c	4.03 b	5.73 a		0.71 a	3.05 a	4.86 a	7.3 a		0.47 a	2.06 a	3.33 a	5.74 a
9	12	0.22 c	1.18 b	3.25 a	4.95 a	6.99 a	0.69 a	1.65 a	3.93 a	5.77 a	8.66 a	0.46 a	1.21 a	2.7 a	3.96 a	6.39 a
	16		0.51 c	2.57 c	4.23 a	5.98 a	0.14 b	1.09 a	3.37 a	5.2 a	7.79 a	0.02 b	0.78 a	2.31 a	3.57 a	5.99 a
	24			1.35 d	2.94 c	4.14 b		0.04 c	2.32 b	4.11 a	6.15 a			1.57 a	2.83 a	5.2 a
10	12		0.65 d	2.55 c	4.09 b	5.73 a	0.29 b	1.22 a	3.43 a	5.28 a	7.91 a	0.14 b	0.89 a	2.4 a	3.65 a	6.07 a
	16			1.81 d	3.31 c	4.63 a		0.57 b	2.77 a	4.59 a	6.87 a		0.37 b	1.94 a	3.19 a	5.57 a
	24			0.51 e	1.92 e	2.68 c			1.55 c	3.3 b	4.91 a			1.04 c	2.29 b	4.6 a
12	12			1.31 e	2.51 d	3.48 c		0.34 c	2.35 b	4.01 a	6.19 a		0.2 c	1.73 b	2.96 a	5.29 a
	16			0.54 e	1.69 e	2.33 d			1.53 d	3.13 c	4.82 a			1.1 c	2.31 b	4.58 a
	24				0.26 f	0.36 e			0.07 e	1.56 d	2.38 c				1.12 d	3.26 c
14	12			0.38 f	1.29 e	1.77 e			1.3 d	2.72 d	4.13 b			1 d	2.17 c	4.36 b
	16				0.5 f	0.69 e			0.41 e	1.74 e	2.63 d			0.24 e	1.37 d	3.46 c
	24									0.03 f	0.05 e					1.83 e
16	12				0.45 f	0.62 f			0.41 e	1.57 e	2.35 d			0.28 e	1.35 e	3.35 d
	16									0.57 f	0.85 e				0.44 e	2.3 e
	24															0.45 f

## 50 psf Lateral Load

Wall Height (ft)	Spacing (in.) o.c.	600S162-(mils)					600S200-(mils)					800S137-(mils)				
		33 ksi		50 ksi			33 ksi		50 ksi			33 ksi		50 ksi		
		33	43	54	68	97	33	43	54	68	97	33	43	54	68	97
8	12	1.21 a	2.2 a	4.48 a	6.33 a	10.2 a	1.6 a	2.98 a	6.12 a	8.62 a	14.21 a	0.98 a*	1.72 a	3 a	4.2 a	6.72 a
	16	0.78 a	1.78 a	4.08 a	5.93 a	9.77 a	1.16 a	2.5 a	5.64 a	8.14 a	13.69 a	0.71 a*	1.47 a	2.79 a	4 a	6.53 a
	24		0.97 a	3.3 a	5.15 a	8.93 a	0.3 a	1.58 a	4.71 a	7.2 a	12.68 a	0.18 a*	0.96 a	2.37 a	3.6 a	6.15 a
9	12	0.86 a	1.85 a	4.13 a	5.97 a	9.8 a	1.23 a	2.55 a	5.62 a	8.07 a	13.53 a	0.76 a*	1.51 a	2.82 a	4.03 a	6.55 a
	16	0.34 a	1.33 a	3.62 a	5.46 a	9.25 a	0.69 a	1.97 a	5.02 a	7.46 a	12.88 a	0.43 a*	1.19 a	2.56 a	3.78 a	6.31 a
	24		0.33 b	2.65 a	4.48 a	8.18 a		0.85 a	3.87 a	6.29 a	11.6 a		0.56 a	2.04 a	3.27 a	5.83 a
10	12	0.48 a	1.46 a	3.72 a	5.55 a	9.33 a	0.82 a	2.08 a	5.05 a	7.44 a	12.74 a	0.52 a*	1.28 a	2.63 a	3.84 a	6.37 a
	16		0.84 a	3.11 a	4.93 a	8.65 a	0.19 b	1.39 a	4.33 a	6.71 a	11.93 a	0.11 a*	0.89 a	2.3 a	3.53 a	6.07 a
	24			1.95 b	3.74 a	7.34 a		0.1 b	2.99 a	5.32 a	10.4 a		0.12 a	1.66 a	2.91 a	5.48 a
12	12		0.61 b	2.78 a	4.57 a	8.19 a		1.1 b	3.79 a	6 a	10.84 a		0.75 a	2.17 a	3.4 a	5.94 a
	16			1.97 c	3.72 b	7.22 a		0.23 c	2.88 b	5.04 a	9.76 a		0.21 a	1.71 a	2.95 a	5.5 a
	24			0.5 d	2.15 d	5.44 b			1.22 d	3.27 c	7.75 a			0.82 b	2.07 a	4.64 a
14	12			1.73 d	3.34 c	6.79 a		0.15 d	2.52 c	4.46 b	8.71 a		0.16 b	1.65 a	2.87 a	5.41 a
	16			0.8 e	2.34 d	5.57 c			1.48 d	3.35 c	7.42 b			1.04 b	2.27 a	4.81 a
	24				0.56 e	3.42 d				1.37 e	5.12 d				1.12 c	3.67 b
16	12			0.78 e	2.14 d	5.01 c			1.37 d	3.02 d	6.62 b			1.06 c	2.27 b	4.78 a
	16				1.07 e	3.71 d			0.28 e	1.84 e	5.23 d			0.32 d	1.52 c	4.02 b
	24					1.46 e					2.82 e				0.12 e	2.59 d

See Combined Axial and Lateral Load Table Notes on page 47.



# Combined Axial and Lateral Load Tables



50 psf Lateral Load											
Wall Height (ft)	Spacing (in.) o.c.	800S162-(mils)					800S200-(mils)				
		33 ksi		50 ksi			33 ksi		50 ksi		
		33	43	54	68	97	33	43	54	68	97
8	12	1.52 a*	2.52 a	4.67 a	6.51 a	10.54 a	2.03 a*	3.49 a	6.78 a	9.34 a	15.05 a
	16	1.2 a*	2.21 a	4.39 a	6.24 a	10.27 a	1.69 a*	3.14 a	6.43 a	9 a	14.71 a
	24	0.58 a*	1.61 a	3.84 a	5.7 a	9.74 a	1.01 a*	2.43 a	5.73 a	8.31 a	14.03 a
9	12	1.26 a*	2.26 a	4.44 a	6.28 a	10.31 a	1.75 a*	3.2 a	6.48 a	9.04 a	14.75 a
	16	0.86 a*	1.88 a	4.08 a	5.93 a	9.97 a	1.32 a*	2.75 a	6.03 a	8.6 a	14.31 a
	24	0.09 a*	1.12 a	3.39 a	5.25 a	9.29 a	0.48 a*	1.86 a	5.15 a	7.74 a	13.44 a
10	12	0.97 a*	1.98 a	4.17 a	6.01 a	10.04 a	1.43 a*	2.86 a	6.13 a	8.7 a	14.4 a
	16	0.49 a*	1.51 a	3.73 a	5.58 a	9.62 a	0.91 a*	2.31 a	5.58 a	8.15 a	13.85 a
	24		0.59 a	2.88 a	4.74 a	8.77 a		1.24 a	4.5 a	7.08 a	12.77 a
12	12	0.33 a*	1.34 a	3.55 a	5.39 a	9.4 a	0.73 a*	2.1 a	5.32 a	7.88 a	13.55 a
	16		0.69 a	2.93 a	4.77 a	8.78 a	0.02 a*	1.33 a	4.53 a	7.09 a	12.74 a
	24		1.74 a	3.58 a	5.58 a	7.56 a		3.03 a	5.58 a	8.15 a	13.85 a
14	12		0.62 a	2.82 a	4.64 a	8.6 a		1.22 a	4.3 a	6.84 a	12.46 a
	16			2.01 b	3.82 a	7.76 a		0.26 b	3.29 a	5.8 a	11.36 a
	24			0.5 d	2.27 c	6.14 a			1.42 c	3.85 b	9.27 a
16	12			2.01 b	3.78 a	7.66 a		0.32 c	3.15 a	5.52 a	10.89 a
	16			1.03 d	2.77 c	6.57 a			1.97 c	4.28 b	9.52 a
	24				0.91 d	4.57 c			2.03 d	7.01 b	

See Combined Axial and Lateral Load Table Notes on page 47.

## Allowable Floor Joist Span Table Notes

1. Spans are based upon continuous support of compression flange over the full length of the joist.
3. Calculated allowable properties are based upon AISI S100-07, North American Specification for the Design of Cold-Formed Steel Structural Members.
4. For two equal spans, the listed span is the center-to-center distance from either end to the center support, with the joist continuous over the center support.
5. Joists must be braced against rotation at all supports.
6. End web crippling check is based upon 3.5 inch end bearing. Joist flanges must be fastened to the support.
7. Shear capacity at mid-span support has been reduced for the presence of punchouts adjacent to the support. Mid-span combined bending and shear check based upon stiffened web.
8. Deflection checks are computed using unbalanced loads for the two equal span condition.
9. Total load deflection limited to  $L/240$ . Live load deflection limit as noted.
10. " e " indicates that web stiffeners are required at the end supports only.
11. " i " indicates that web stiffeners are required at the interior supports only.
12. " a " indicates that web stiffeners are required at all the supports.

# Floor Joist Span Tables



## 10 psf Dead Load and 20 psf Live Load

Member	F <sub>y</sub> (ksi)	Live Load Deflection L/360						Live Load Deflection L/480					
		Single Span			Two Equal Spans			Single Span			Two Equal Spans		
		Spacing (in) o.c.			Spacing (in) o.c.			Spacing (in) o.c.			Spacing (in) o.c.		
		12	16	24	12	16	24	12	16	24	12	16	24
600S162-33	33	14' 6"	12' 7" e	10' 3" e	14' 6" i	12' 7" i	10' 3" a	14' 4"	12' 7" e	10' 3" e	14' 6" i	12' 7" i	10' 3" a
600S200-33	33	15' 6"	13' 5" e	10' 11" e	15' 6" i	13' 5" i	10' 11" a	15' 0"	13' 5" e	10' 11" e	15' 6" i	13' 5" i	10' 11" a
600S162-43	33	17' 2"	15' 0"	12' 3"	17' 4" i	15' 0" i	12' 3" i	15' 7"	14' 2"	12' 3"	17' 4" i	15' 0" i	12' 3" i
600S200-43	33	18' 0"	16' 0"	13' 1"	18' 6" i	16' 0" i	13' 1" i	16' 5"	14' 11"	13' 0"	18' 5" i	16' 0" i	13' 1" i
600S250-43	33	18' 11"	16' 5"	13' 5" e	19' 0" i	16' 5" i	13' 5" i	17' 2"	15' 7"	13' 5" e	19' 0" i	16' 5" i	13' 5" i
600S162-54	50	18' 5"	16' 9"	14' 7"	20' 8"	18' 9" i	16' 5" i	16' 9"	15' 2"	13' 3"	18' 9"	17' 1"	14' 11" i
600S200-54	50	19' 4"	17' 7"	15' 4"	21' 9"	19' 9" i	17' 3" i	17' 7"	16' 0"	14' 0"	19' 9"	17' 11"	15' 8" i
600S250-54	50	20' 2"	18' 4"	16' 0"	22' 8"	20' 7" i	17' 10" i	18' 4"	16' 8"	14' 7"	20' 7"	18' 9"	16' 4" i
600S162-68	50	19' 9"	17' 11"	15' 8"	22' 2"	20' 2" i	17' 7" i	17' 11"	16' 4"	14' 3"	20' 2"	18' 4"	16' 0"
600S200-68	50	20' 9"	18' 10"	16' 6"	23' 4"	21' 2" i	18' 6" i	18' 10"	17' 2"	15' 0"	21' 2"	19' 3"	16' 10"
600S250-68	50	21' 9"	19' 9"	17' 3"	24' 5"	22' 3" i	19' 5" i	19' 9"	18' 0"	15' 8"	22' 3"	20' 2"	17' 8"
600S162-97	50	21' 11"	19' 11"	17' 4"	24' 7"	22' 4" i	19' 6" i	19' 11"	18' 1"	15' 9"	22' 4"	20' 3"	17' 9"
600S200-97	50	23' 1"	20' 11"	18' 4"	25' 11"	23' 6" i	20' 7" i	20' 11"	19' 0"	16' 8"	23' 6"	21' 4"	18' 8"
600S250-97	50	24' 3"	22' 0"	19' 3"	27' 2"	24' 8" i	21' 7" i	22' 0"	20' 0"	17' 6"	24' 8"	22' 5"	19' 7"
600S162-118	50	23' 1"	21' 0"	18' 4"	25' 11"	23' 7" i	20' 7" i	21' 0"	19' 1"	16' 8"	23' 7"	21' 5"	18' 9"
600S200-118	50	24' 5"	22' 2"	19' 4"	27' 5"	24' 11" i	21' 9" i	22' 2"	20' 2"	17' 7"	24' 11" i	22' 7"	19' 9"
600S250-118	50	25' 8"	23' 4"	20' 4"	28' 9"	26' 2" i	22' 10" i	23' 4"	21' 2"	18' 6"	26' 2"	23' 9"	20' 9"
800S162-33	33	16' 9" e	14' 6" e	11' 10" e	16' 9" a	14' 0" a	10' 6" a	16' 9" e	14' 6" e	11' 10" e	16' 9" a	14' 0" a	10' 6" a
800S200-33	33	18' 0" e	15' 7" e	12' 8" e	17' 10" a	14' 7" a	10' 10" a	18' 0" e	15' 7" e	12' 8" e	17' 10" a	14' 7" a	10' 10" a
800S162-43	33	20' 2"	17' 6"	14' 3" e	20' 2" i	17' 6" i	14' 3" i	19' 6"	17' 6"	14' 3" e	20' 2" i	17' 6" i	14' 3" i
800S200-43	33	21' 7"	18' 8"	15' 3" e	21' 7" i	18' 8" i	15' 3" a	20' 7"	18' 8"	15' 3" e	21' 7" i	18' 8" i	15' 3" a
800S250-43	33	22' 2"	19' 2" e	15' 8" e	22' 2" i	19' 2" i	15' 8" a	21' 5"	19' 2" e	15' 8" e	22' 2" i	19' 2" i	15' 8" a
800S162-54	50	23' 1"	20' 11"	18' 3"	25' 10" i	23' 5" i	19' 1" i	20' 11"	19' 0"	16' 7"	23' 6"	21' 4" i	18' 8" i
800S200-54	50	24' 4"	22' 1"	19' 4"	27' 3" i	24' 10" i	20' 5" i	22' 1"	20' 1"	17' 6"	24' 10" i	22' 6" i	19' 8" i
800S250-54	50	25' 3"	22' 11"	20' 1"	28' 4" i	25' 7" i	20' 10" i	22' 11"	20' 10"	18' 3"	25' 9"	23' 5" i	20' 5" i
800S162-68	50	24' 11"	22' 8"	19' 9"	28' 0"	25' 5" i	22' 2" i	22' 8"	20' 7"	18' 0"	25' 5"	23' 1"	20' 2" i
800S200-68	50	26' 1"	23' 9"	20' 9"	29' 4"	26' 8" i	23' 3" i	23' 9"	21' 7"	18' 10"	26' 8"	24' 2"	21' 2" i
800S250-68	50	27' 3"	24' 9"	21' 7"	30' 7"	27' 9" i	24' 3" i	24' 9"	22' 6"	19' 8"	27' 9"	25' 3"	22' 1" i
800S162-97	50	27' 8"	25' 2"	22' 0"	31' 1"	28' 3" i	24' 8" i	25' 2"	22' 10"	20' 0"	28' 3" i	25' 8"	22' 5"
800S200-97	50	29' 0"	26' 5"	23' 1"	32' 7"	29' 7" i	25' 11" i	26' 5"	24' 0"	20' 11"	29' 7"	26' 11"	23' 6"
800S250-97	50	30' 4"	27' 7"	24' 1"	34' 1"	30' 11" i	27' 1" i	27' 7"	25' 1"	21' 11"	30' 11" i	28' 2"	24' 7"
800S162-118	50	29' 4"	26' 7"	23' 3"	32' 11"	29' 11" i	26' 1" i	26' 7"	24' 2"	21' 2"	29' 11" i	27' 2"	23' 9"
800S200-118	50	30' 9"	27' 11"	24' 5"	34' 6"	31' 5" i	27' 5" i	27' 11"	25' 5"	22' 2"	31' 5" i	28' 6"	24' 11"
800S250-118	50	32' 2"	29' 3"	25' 6"	36' 1"	32' 10" i	28' 8" i	29' 3"	26' 7"	23' 2"	32' 10" i	29' 10"	26' 1"
1000S162-43	33	22' 4" e	19' 4" e	15' 10" e	22' 4" a	19' 4" a	15' 9" a	22' 4" e	19' 4" e	15' 10" e	22' 4" a	19' 4" a	15' 9" a
1000S200-43	33	24' 1" e	20' 11" e	17' 1" e	24' 1" a	20' 11" a	16' 6" a	24' 1" e	20' 11" e	17' 1" e	24' 1" a	20' 11" a	16' 6" a
1000S250-43	33	24' 10" e	21' 6" e	17' 6" e	24' 10" a	21' 6" a	16' 9" a	24' 10" e	21' 6" e	17' 6" e	24' 10" a	21' 6" a	16' 9" a
1000S162-54	50	27' 5"	24' 10"	21' 2"	30' 0" i	25' 11" i	21' 2" i	24' 10"	22' 7"	19' 9"	27' 11" i	25' 4" i	21' 2" i
1000S200-54	50	28' 8"	26' 0"	22' 9"	32' 2" i	27' 11" i	22' 9" i	26' 0"	23' 8"	20' 8"	29' 3" i	26' 7" i	22' 9" i
1000S250-54	50	30' 3"	27' 6"	23' 5"	33' 1" i	28' 8" i	23' 5" i	27' 6"	25' 0"	21' 10"	30' 10" i	28' 0" i	23' 5" i
1000S162-68	50	29' 8"	27' 0"	23' 7"	33' 4" i	30' 3" i	25' 0" i	27' 0"	24' 6"	21' 5"	30' 3" i	27' 6" i	24' 0" i
1000S200-68	50	31' 0"	28' 2"	24' 7"	34' 10" i	31' 8" i	26' 9" i	28' 2"	25' 7"	22' 4"	31' 8" i	28' 9"	25' 1" i
1000S250-68	50	32' 6"	29' 7"	25' 10"	36' 6" i	33' 2" i	27' 6" i	29' 7"	26' 10"	23' 5"	33' 2" i	30' 2" i	26' 4" i
1000S162-97	50	33' 4"	30' 4"	26' 6"	37' 5"	34' 0" i	29' 9" i	30' 4"	27' 6"	24' 1"	34' 0" i	30' 11" i	27' 0" i
1000S200-97	50	34' 10"	31' 8"	27' 8"	39' 1"	35' 6" i	31' 0" i	31' 8"	28' 9"	25' 1"	35' 6" i	32' 3" i	28' 2" i
1000S250-97	50	36' 3"	32' 11"	28' 9"	40' 9"	37' 0" i	32' 4" i	32' 11"	29' 11"	26' 2"	37' 0" i	33' 7" i	29' 4" i

See Allowable Floor Joist Span Table Notes on page 72.

# Floor Joist Span Tables



## 10 psf Dead Load and 20 psf Live Load

Member	Fy (ksi)	Live Load Deflection L/360						Live Load Deflection L/480					
		Single Span			Two Equal Spans			Single Span			Two Equal Spans		
		Spacing (in) o.c.			Spacing (in) o.c.			Spacing (in) o.c.			Spacing (in) o.c.		
		12	16	24	12	16	24	12	16	24	12	16	24
1000S162-118	50	35' 4"	32' 1"	28' 0"	39' 8"	36' 0"	31' 6"	32' 1"	29' 2"	25' 6"	36' 0"	32' 9"	28' 7"
1000S200-118	50	36' 11"	33' 7"	29' 4"	41' 6"	37' 8"	32' 11"	33' 7"	30' 6"	26' 8"	37' 8"	34' 3"	29' 11"
1000S250-118	50	38' 6"	35' 0"	30' 7"	43' 2"	39' 3"	34' 4"	35' 0"	31' 9"	27' 9"	39' 3"	35' 8"	31' 2"
1200S162-54	50	31' 6" e	27' 11" e	22' 10" e	32' 3" a	27' 11" a	22' 10" a	28' 7" e	26' 0" e	22' 9" e	32' 2" a	27' 11" a	22' 10" a
1200S200-54	50	32' 11" e	29' 11" e	24' 8" e	34' 11" a	30' 3" a	24' 8" a	29' 11" e	27' 2" e	23' 9" e	33' 7" a	30' 3" a	24' 8" a
1200S250-54	50	34' 3" e	31' 2" e	25' 6" e	36' 0" a	31' 2" a	25' 6" a	31' 2" e	28' 4" e	24' 9" e	35' 0" a	31' 2" a	25' 6" a
1200S162-68	50	34' 3"	31' 1"	27' 1"	38' 4" i	33' 3" i	27' 1" i	31' 1"	28' 3"	24' 8"	34' 11" i	31' 9" i	27' 1" i
1200S200-68	50	35' 9"	32' 5"	28' 4"	40' 1" i	35' 9" i	29' 2" i	32' 5"	29' 6"	25' 9"	36' 5"	33' 1" i	28' 11" i
1200S250-68	50	37' 3"	33' 10"	29' 6"	41' 9" i	36' 11" i	30' 1" i	33' 10"	30' 9"	26' 10"	37' 11" i	34' 6" i	30' 1" i
1200S162-97	50	38' 10"	35' 3"	30' 10"	43' 7"	39' 7"	34' 7" i	35' 3"	32' 0"	28' 0"	39' 7"	36' 0"	31' 5"
1200S200-97	50	40' 5"	36' 8"	32' 1"	45' 4"	41' 3"	36' 0" i	36' 8"	33' 4"	29' 2"	41' 3"	37' 5"	32' 9"
1200S250-97	50	42' 0"	38' 2"	33' 4"	47' 1"	42' 10"	37' 5" i	38' 2"	34' 8"	30' 3"	42' 10"	38' 11"	34' 0"
1200S162-118	50	41' 3"	37' 6"	32' 9"	46' 4"	42' 1"	36' 9"	37' 6"	34' 1"	29' 9"	42' 1"	38' 3"	33' 5"
1200S200-118	50	43' 0"	39' 1"	34' 1"	48' 3"	43' 10"	38' 4"	39' 1"	35' 6"	31' 0"	43' 10"	39' 10"	34' 10"
1200S250-118	50	44' 8"	40' 7"	35' 5"	50' 2"	45' 7"	39' 9"	40' 7"	36' 10"	32' 2"	45' 7"	41' 5"	36' 2"
1200S300-118	50	46' 1"	41' 10"	36' 7"	51' 9"	47' 0"	41' 1"	41' 10"	38' 0"	33' 3"	47' 0"	42' 8"	37' 4"
1200S350-118	50	48' 5"	44' 0"	38' 5"	54' 5"	49' 5"	43' 2"	44' 0"	40' 0"	34' 11"	49' 5"	44' 11"	39' 3"
1400S200-54	50	37' 0" e	32' 1" e	26' 2" e	37' 0" a	32' 1" a	24' 5" a	33' 8" e	30' 7" e	26' 2" e	37' 0" a	32' 1" a	24' 5" a
1400S250-54	50	38' 6" e	33' 4" e	27' 2" e	38' 6" a	33' 2" a	24' 11" a	35' 0" e	31' 10" e	27' 2" e	38' 6" a	33' 2" a	24' 11" a
1400S300-54	50	39' 1" e	34' 1" e	27' 10" e	39' 5" a	33' 8" a	25' 3" a	35' 6" e	32' 3" e	27' 10" e	39' 5" a	33' 8" a	25' 3" a
1400S350-54	50	41' 9" e	37' 11" e	31' 4" e	44' 2" a	36' 1" a	26' 10" a	37' 11" e	34' 6" e	30' 1" e	42' 7" a	36' 1" a	26' 10" a
1400S200-68	50	40' 3"	36' 7"	31' 1"	44' 0" i	38' 1" i	31' 1" i	36' 7"	33' 3"	29' 0"	41' 0" i	37' 3" i	31' 1" i
1400S250-68	50	41' 10"	38' 0"	32' 3"	45' 8" i	39' 7" i	32' 3" i	38' 0"	34' 7"	30' 2"	42' 8" i	38' 10" i	32' 3" i
1400S300-68	50	43' 0"	39' 0"	33' 1"	46' 9" i	40' 6" i	33' 1" i	39' 0"	35' 6"	31' 0"	43' 10" i	39' 10" i	33' 1" i
1400S350-68	50	46' 1"	41' 10"	36' 7"	51' 9" i	45' 2" i	36' 11" i	41' 10"	38' 0"	33' 3"	47' 0" i	42' 8" i	36' 11" i
1400S200-97	50	45' 8"	41' 6"	36' 3"	51' 3"	46' 7" i	40' 5" i	41' 6"	37' 8"	32' 11"	46' 7"	42' 4"	37' 0" i
1400S250-97	50	47' 4"	43' 0"	37' 7"	53' 2"	48' 4" i	41' 11" i	43' 0"	39' 1"	34' 2"	48' 4"	43' 11"	38' 4" i
1400S300-97	50	48' 10"	44' 4"	38' 9"	54' 10"	49' 10" i	42' 11" i	44' 4"	40' 4"	35' 2"	49' 10"	45' 3"	39' 6" i
1400S350-97	50	51' 6"	46' 9"	40' 11"	57' 10"	52' 6" i	45' 11" i	46' 9"	42' 6"	37' 2"	52' 6"	47' 9"	41' 8" i
1400S200-118	50	48' 11"	44' 5"	38' 10"	54' 11"	49' 11"	43' 7" i	44' 5"	40' 4"	35' 3"	49' 11"	45' 4"	39' 7"
1400S250-118	50	50' 8"	46' 0"	40' 3"	56' 11"	51' 8"	45' 2" i	46' 0"	41' 10"	36' 6"	51' 8"	46' 11"	41' 0"
1400S300-118	50	52' 4"	47' 7"	41' 6"	58' 9"	53' 5"	46' 8" i	47' 7"	43' 2"	37' 9"	53' 5"	48' 6"	42' 4"
1400S350-118	50	54' 9"	49' 9"	43' 6"	61' 6"	55' 10"	48' 10"	49' 9"	45' 3"	39' 6"	55' 10"	50' 9"	44' 4"
1600S200-68	50	44' 7" e	40' 1" e	32' 9" e	46' 3" a	40' 1" a	32' 9" a	40' 6" e	36' 10" e	32' 2" e	45' 6" a	40' 1" a	32' 9" a
1600S250-68	50	46' 4" e	41' 9" e	34' 1" e	48' 3" a	41' 9" a	34' 1" a	42' 1" e	38' 3" e	33' 5" e	47' 3" a	41' 9" a	34' 1" a
1600S300-68	50	47' 6" e	42' 11" e	35' 1" e	49' 7" a	42' 11" a	35' 1" a	43' 2" e	39' 3" e	34' 3" e	48' 6" a	42' 11" a	35' 1" a
1600S350-68	50	50' 1" e	45' 6" e	39' 4" e	55' 7" a	48' 2" a	39' 0" a	45' 6" e	41' 4" e	36' 1" e	51' 1" a	46' 5" a	39' 0" a
1600S200-97	50	50' 9"	46' 2"	40' 4"	57' 0" i	51' 10" i	42' 10" i	46' 2"	41' 11"	36' 7"	51' 10"	47' 1"	41' 1" i
1600S250-97	50	52' 7"	47' 9"	41' 9"	59' 1" i	53' 8" i	44' 7" i	47' 9"	43' 5"	37' 11"	53' 8"	48' 9"	42' 7" i
1600S300-97	50	54' 2"	49' 2"	43' 0"	60' 10" i	55' 3" i	45' 9" i	49' 2"	44' 8"	39' 1"	55' 3"	50' 2"	43' 10" i
1600S350-97	50	56' 9"	51' 7"	45' 1"	63' 9"	57' 11" i	50' 7" i	51' 7"	46' 10"	40' 11"	57' 11"	52' 7"	45' 11" i
1600S200-118	50	54' 6"	49' 6"	43' 3"	61' 2"	55' 7"	48' 7" i	49' 6"	45' 0"	39' 4"	55' 7"	50' 6"	44' 2"
1600S250-118	50	56' 4"	51' 2"	44' 9"	63' 3"	57' 6"	50' 3" i	51' 2"	46' 6"	40' 8"	57' 6"	52' 3"	45' 8"
1600S300-118	50	58' 2"	52' 10"	46' 2"	65' 3"	59' 4"	51' 10" i	52' 10"	48' 0"	41' 11"	59' 4"	53' 11"	47' 1"
1600S350-118	50	60' 9"	55' 2"	48' 2"	68' 2"	61' 11"	54' 2" i	55' 2"	50' 2"	43' 10"	61' 11"	56' 4"	49' 2"

See Allowable Floor Joist Span Table Notes on page 72.

# Floor Joist Span Tables



## 10 psf Dead Load and 30 psf Live Load

Member	Fy (ksi)	Live Load Deflection L/360						Live Load Deflection L/480					
		Single Span			Two Equal Spans			Single Span			Two Equal Spans		
		Spacing (in) o.c.			Spacing (in) o.c.			Spacing (in) o.c.			Spacing (in) o.c.		
		12	16	24	12	16	24	12	16	24	12	16	24
600S162-33	33	12' 7" e	10' 11" e	8' 11" e	12' 7" i	10' 11" a	8' 11" a	12' 6" e	10' 11" e	8' 11" e	12' 7" i	10' 11" a	8' 11" a
600S200-33	33	13' 5" e	11' 7" e	9' 6" e	13' 5" i	11' 7" a	9' 3" a	13' 1" e	11' 7" e	9' 6" e	13' 5" i	11' 7" a	9' 3" a
600S162-43	33	15' 0"	13' 0"	10' 8" e	15' 0" i	13' 0" i	10' 8" i	13' 8"	12' 5"	10' 8" e	15' 0" i	13' 0" i	10' 8" i
600S200-43	33	15' 9"	13' 10"	11' 4" e	16' 0" i	13' 10" i	11' 4" i	14' 4"	13' 0"	11' 4" e	16' 0" i	13' 10" i	11' 4" i
600S250-43	33	16' 5"	14' 3"	11' 7" e	16' 5" i	14' 3" i	11' 7" i	15' 0"	13' 7"	11' 7" e	16' 5" i	14' 3" i	11' 7" i
600S162-54	50	16' 1"	14' 7"	12' 9"	18' 1"	16' 5" i	14' 3" i	14' 7"	13' 3"	11' 7"	16' 5" i	14' 11" i	13' 0" i
600S200-54	50	16' 11"	15' 4"	13' 5"	19' 0"	17' 3" i	15' 1" i	15' 4"	14' 0"	12' 2"	17' 3" i	15' 8" i	13' 8" i
600S250-54	50	17' 8"	16' 0"	14' 0"	19' 10" i	18' 0" i	15' 6" i	16' 0"	14' 7"	12' 9"	18' 0" i	16' 4" i	14' 3" i
600S162-68	50	17' 3"	15' 8"	13' 8"	19' 4"	17' 7"	15' 4" i	15' 8"	14' 3"	12' 5"	17' 7" i	16' 0" i	14' 0" i
600S200-68	50	18' 2"	16' 6"	14' 5"	20' 4"	18' 6"	16' 2" i	16' 6"	15' 0"	13' 1"	18' 6" i	16' 10" i	14' 8" i
600S250-68	50	19' 0"	17' 3"	15' 1"	21' 4"	19' 5"	16' 11" i	17' 3"	15' 8"	13' 9"	19' 5" i	17' 8" i	15' 5" i
600S162-97	50	19' 1"	17' 4"	15' 2"	21' 6"	19' 6"	17' 0"	17' 4"	15' 9"	13' 9"	19' 6" i	17' 9" i	15' 6" i
600S200-97	50	20' 2"	18' 4"	16' 0"	22' 7"	20' 7"	17' 11" i	18' 4"	16' 8"	14' 6"	20' 7" i	18' 8" i	16' 4" i
600S250-97	50	21' 2"	19' 3"	16' 9"	23' 9"	21' 7"	18' 10" i	19' 3"	17' 6"	15' 3"	21' 7" i	19' 7" i	17' 2" i
600S162-118	50	20' 2"	18' 4"	16' 0"	22' 8"	20' 7"	18' 0"	18' 4"	16' 8"	14' 7"	20' 7" i	18' 9" i	16' 4" i
600S200-118	50	21' 4"	19' 4"	16' 11"	23' 11"	21' 9"	19' 0"	19' 4"	17' 9"	15' 4"	21' 9" i	19' 9" i	17' 3" i
600S250-118	50	22' 5"	20' 4"	17' 9"	25' 2"	22' 10" i	20' 0"	20' 4"	18' 6"	16' 2"	22' 10" i	20' 9" i	18' 2" i
800S162-33	33	14' 6" e	12' 7" e	10' 3" e	14' 0" a	11' 5" a	8' 5" a	14' 6" e	12' 7" e	10' 3" e	14' 0" a	11' 5" a	8' 5" a
800S200-33	33	15' 7" e	13' 6" e	11' 0" e	14' 7" a	11' 10" a	8' 9" a	15' 7" e	13' 6" e	11' 0" e	14' 7" a	11' 10" a	8' 9" a
800S162-43	33	17' 6"	15' 2" e	12' 4" e	17' 6" i	15' 2" i	12' 4" a	17' 0"	15' 2" e	12' 4" e	17' 6" i	15' 2" i	12' 4" a
800S200-43	33	18' 8"	16' 2" e	13' 3" e	18' 8" i	16' 2" i	13' 3" a	18' 0"	16' 2" e	13' 3" e	18' 8" i	16' 2" i	13' 3" a
800S250-43	33	19' 2" e	16' 7" e	13' 7" e	19' 2" i	16' 7" i	13' 7" a	18' 9"	16' 7" e	13' 7" e	19' 2" i	16' 7" i	13' 7" a
800S162-54	50	20' 2"	18' 3"	16' 0"	22' 7" i	20' 3" i	16' 6" i	18' 3"	16' 7"	14' 6"	20' 6" i	18' 8" i	16' 4" i
800S200-54	50	21' 3"	19' 4"	16' 10"	23' 10" i	21' 7" i	17' 8" i	19' 4"	17' 6"	15' 4"	21' 8" i	19' 8" i	17' 2" i
800S250-54	50	22' 1"	20' 1"	17' 6"	24' 9" i	22' 1" i	18' 1" i	20' 1"	18' 3"	15' 11"	22' 6" i	20' 5" i	17' 10" i
800S162-68	50	21' 9"	19' 9"	17' 3"	24' 5"	22' 2" i	19' 5" i	19' 9"	18' 0"	15' 8"	22' 2" i	20' 2" i	17' 7" i
800S200-68	50	22' 10"	20' 9"	18' 1"	25' 7"	23' 3" i	20' 4" i	20' 9"	18' 10"	16' 5"	23' 3" i	21' 2" i	18' 6" i
800S250-68	50	23' 9"	21' 7"	18' 11"	26' 9"	24' 3" i	21' 2" i	21' 7"	19' 8"	17' 2"	24' 3" i	22' 1" i	19' 3" i
800S162-97	50	24' 2"	22' 0"	19' 2"	27' 2"	24' 8" i	21' 7" i	22' 0"	20' 0"	17' 5"	24' 8" i	22' 5" i	19' 7" i
800S200-97	50	25' 4"	23' 1"	20' 2"	28' 6"	25' 11" i	22' 7" i	23' 1"	20' 11"	18' 4"	25' 11" i	23' 6" i	20' 6" i
800S250-97	50	26' 6"	24' 1"	21' 1"	29' 9"	27' 1" i	23' 7" i	24' 1"	21' 11"	19' 1"	27' 1" i	24' 7" i	21' 6" i
800S162-118	50	25' 7"	23' 3"	20' 4"	28' 9"	26' 1" i	22' 10" i	23' 3"	21' 2"	18' 5"	26' 1" i	23' 9" i	20' 9" i
800S200-118	50	26' 10"	24' 5"	21' 4"	30' 2"	27' 5" i	23' 11" i	24' 5"	22' 2"	19' 5"	27' 5" i	24' 11" i	21' 9" i
800S250-118	50	28' 1"	25' 6"	22' 4"	31' 7"	28' 8" i	25' 1" i	25' 6"	23' 2"	20' 3"	28' 8" i	26' 1" i	22' 9" i
1000S162-43	33	19' 4" e	16' 9" e	13' 8" e	19' 4" a	16' 9" a	12' 10" a	19' 4" e	16' 9" e	13' 8" e	19' 4" a	16' 9" a	12' 10" a
1000S200-43	33	20' 11" e	18' 1" e	14' 9" e	20' 11" a	17' 10" a	13' 5" a	20' 11" e	18' 1" e	14' 9" e	20' 11" a	17' 10" a	13' 5" a
1000S250-43	33	21' 6" e	18' 7" e	15' 2" e	21' 6" a	18' 2" a	13' 7" a	21' 6" e	18' 7" e	15' 2" e	21' 6" a	18' 2" a	13' 7" a
1000S162-54	50	23' 11"	21' 9"	18' 4"	25' 11" i	22' 6" i	18' 4" i	21' 9"	19' 9"	17' 3"	24' 5" i	22' 2" i	18' 4" i
1000S200-54	50	25' 0"	22' 9"	19' 9"	27' 11" i	24' 2" i	19' 9" i	22' 9"	20' 8"	18' 1"	25' 6" i	23' 2" i	19' 9" i
1000S250-54	50	26' 5"	24' 0"	20' 3"	28' 8" i	24' 10" i	20' 3" i	24' 0"	21' 10"	19' 1"	26' 11" i	24' 6" i	20' 3" i
1000S162-68	50	25' 11"	23' 7"	20' 7"	29' 1" i	26' 6" i	21' 8" i	23' 7"	21' 5"	18' 8"	26' 6" i	24' 0" i	21' 0" i
1000S200-68	50	27' 1"	24' 7"	21' 6"	30' 5" i	27' 8" i	23' 2" i	24' 7"	22' 4"	19' 7"	27' 8" i	25' 1" i	21' 11" i
1000S250-68	50	28' 5"	25' 10"	22' 7"	31' 11" i	29' 0" i	23' 10" i	25' 10"	23' 5"	20' 6"	29' 0" i	26' 4" i	23' 0" i
1000S162-97	50	29' 2"	26' 6"	23' 1"	32' 8"	29' 9" i	26' 0" i	26' 6"	24' 1"	21' 0"	29' 9" i	27' 0" i	23' 7" i
1000S200-97	50	30' 5"	27' 8"	24' 2"	34' 2"	31' 0" i	27' 1" i	27' 8"	25' 1"	21' 11"	31' 0" i	28' 2" i	24' 8" i
1000S250-97	50	31' 8"	28' 9"	25' 2"	35' 7"	32' 4" i	28' 3" i	28' 9"	26' 2"	22' 10"	32' 4" i	29' 4" i	25' 8" i
1000S162-118	50	30' 10"	28' 0"	24' 6"	34' 8"	31' 6" i	27' 6" i	28' 0"	25' 6"	22' 3"	31' 6" i	28' 7" i	25' 0" i
1000S200-118	50	32' 3"	29' 4"	25' 7"	36' 3"	32' 11" i	28' 9" i	29' 4"	26' 8"	23' 3"	32' 11" i	29' 11" i	26' 1" i
1000S250-118	50	33' 7"	30' 7"	26' 8"	37' 9"	34' 4" i	30' 0" i	30' 7"	27' 9"	24' 3"	34' 4" i	31' 2" i	27' 3" i
1200S162-54	50	27' 6" e	24' 2" e	19' 9" e	27' 11" a	24' 2" a	19' 6" a	25' 0" e	22' 9" e	19' 9" e	27' 11" a	24' 2" a	19' 6" a
1200S200-54	50	28' 9" e	26' 2" e	21' 4" e	30' 3" a	26' 2" a	20' 6" a	26' 2" e	23' 9" e	20' 9" e	29' 4" a	26' 2" a	20' 6" a
1200S250-54	50	29' 11" e	27' 0" e	22' 1" e	31' 2" a	27' 0" a	20' 11" a	27' 3" e	24' 9" e	21' 7" e	30' 7" a	27' 0" a	20' 11" a
1200S162-68	50	29' 11"	27' 2"	23' 6"	33' 3" i	28' 9" i	23' 6" i	27' 2"	24' 8"	21' 7"	30' 6" i	27' 9" i	23' 6" i
1200S200-68	50	31' 2"	28' 4"	24' 9"	35' 0" i	30' 11" i	25' 3" i	28' 4"	25' 9"	22' 6"	31' 10" i	28' 11" i	25' 3" i
1200S250-68	50	32' 6"	29' 6"	25' 10"	36' 6" i	31' 11" i	26' 1" i	29' 6"	26' 10"	23' 5"	33' 2" i	30' 2" i	26' 1" i
1200S162-97	50	33' 11"	30' 10"	26' 11"	38' 1" i	34' 7" i	30' 2" i	30' 10"	28' 0"	24' 5"	34' 7" i	31' 5" i	27' 5" i
1200S200-97	50	35' 4"	32' 1"	28' 0"	39' 8" i	36' 0" i	31' 5" i	32' 1"	29' 2"	25' 5"	36' 0" i	32' 9" i	28' 7" i
1200S250-97	50	36' 8"	33' 4"	29' 1"	41' 2" i	37' 5" i	32' 8" i	33' 4"	30' 3"	26' 5"	37' 5" i	34' 0" i	29' 8" i

See Allowable Floor Joist Span Table Notes on page 72.

# Floor Joist Span Tables



## 10 psf Dead Load and 30 psf Live Load

Member	Fy (ksi)	Live Load Deflection L/360						Live Load Deflection L/480					
		Single Span			Two Equal Spans			Single Span			Two Equal Spans		
		Spacing (in) o.c.			Spacing (in) o.c.			Spacing (in) o.c.			Spacing (in) o.c.		
		12	16	24	12	16	24	12	16	24	12	16	24
1200S162-118	50	36' 1"	32' 9"	28' 7"	40' 6"	36' 9"	32' 1"	32' 9"	29' 9"	26' 0"	36' 9"	33' 5"	29' 2"
1200S200-118	50	37' 7"	34' 1"	29' 10"	42' 2"	38' 4"	33' 6"	34' 1"	31' 0"	27' 1"	38' 4"	34' 10"	30' 5"
1200S250-118	50	39' 0"	35' 5"	30' 11"	43' 9"	39' 9"	34' 9"	35' 5"	32' 2"	28' 2"	39' 9"	36' 2"	31' 7"
1200S300-118	50	40' 3"	36' 7"	31' 11"	45' 2"	41' 1"	35' 10"	36' 7"	33' 3"	29' 0"	41' 1"	37' 4"	32' 7"
1200S350-118	50	42' 4"	38' 5"	33' 7"	47' 6"	43' 2"	37' 8"	38' 5"	34' 11"	30' 6"	43' 2"	39' 3"	34' 3"
1400S200-54	50	32' 1" e	27' 9" e	22' 8" e	32' 1" a	26' 6" a	19' 10" a	29' 5" e	26' 8" e	22' 8" e	32' 1" a	26' 6" a	19' 10" a
1400S250-54	50	33' 4" e	28' 10" e	23' 7" e	33' 2" a	27' 1" a	20' 2" a	30' 7" e	27' 9" e	23' 7" e	33' 2" a	27' 1" a	20' 2" a
1400S300-54	50	34' 1" e	29' 7" e	24' 2" e	33' 8" a	27' 6" a	20' 5" a	31' 0" e	28' 2" e	24' 2" e	33' 8" a	27' 6" a	20' 5" a
1400S350-54	50	36' 6" e	33' 2" e	27' 1" e	36' 1" a	29' 4" a	21' 7" a	33' 2" e	30' 1" e	26' 4" e	36' 1" a	29' 4" a	21' 7" a
1400S200-68	50	35' 2"	31' 11"	26' 11"	38' 1" i	33' 0" i	26' 11" i	31' 11"	29' 0"	25' 4"	35' 10" i	32' 7" i	26' 11" i
1400S250-68	50	36' 7"	33' 3"	28' 0"	39' 7" i	34' 3" i	28' 0" i	33' 3"	30' 2"	26' 4"	37' 4" i	33' 11" i	28' 0" i
1400S300-68	50	37' 6"	34' 1"	28' 7"	40' 6" i	35' 1" i	28' 7" i	34' 1"	31' 0"	27' 1"	38' 3" i	34' 9" i	28' 7" i
1400S350-68	50	40' 3"	36' 7"	31' 11" e	45' 2" i	39' 2" i	31' 11" i	36' 7"	33' 3"	29' 0"	41' 1" i	37' 3" i	31' 11" i
1400S200-97	50	39' 11"	36' 3"	31' 8"	44' 10"	40' 8" i	35' 0" i	36' 3"	32' 11"	28' 9"	40' 8"	37' 0"	32' 4" i
1400S250-97	50	41' 5"	37' 7"	32' 10"	46' 6"	42' 3" i	36' 3" i	37' 7"	34' 2"	29' 10"	42' 3"	38' 4"	33' 6" i
1400S300-97	50	42' 8"	38' 9"	33' 10"	47' 11"	43' 6" i	37' 2" i	38' 9"	35' 2"	30' 9"	43' 6"	39' 6"	34' 6" i
1400S350-97	50	45' 0"	40' 11"	35' 8"	50' 6"	45' 11" i	40' 1" i	40' 11"	37' 2"	32' 5"	45' 11"	41' 8"	36' 5" i
1400S200-118	50	42' 9"	38' 10"	33' 11"	48' 0"	43' 7"	38' 1" i	38' 10"	35' 3"	30' 10"	43' 7"	39' 7"	34' 7"
1400S250-118	50	44' 3"	40' 3"	35' 2"	49' 8"	45' 2"	39' 5" i	40' 3"	36' 6"	31' 11"	45' 2"	41' 0"	35' 10"
1400S300-118	50	45' 9"	41' 6"	36' 3"	51' 4"	46' 8"	40' 9" i	41' 6"	37' 9"	33' 0"	46' 8"	42' 4"	37' 0"
1400S350-118	50	47' 10"	43' 6"	38' 0"	53' 9"	48' 10"	42' 8" i	43' 6"	39' 6"	34' 6"	48' 10"	44' 4"	38' 9"
1600S200-68	50	38' 11" e	34' 8" e	28' 4" e	40' 1" a	34' 8" a	28' 4" a	35' 5" e	32' 2" e	28' 1" e	39' 9" a	34' 8" a	28' 4" a
1600S250-68	50	40' 6" e	36' 2" e	29' 6" e	41' 9" a	36' 2" a	29' 3" a	36' 9" e	33' 5" e	29' 2" e	41' 4" a	36' 2" a	29' 3" a
1600S300-68	50	41' 6" e	37' 2" e	30' 4" e	42' 11" a	37' 2" a	29' 9" a	37' 9" e	34' 3" e	29' 11" e	42' 4" a	37' 2" a	29' 9" a
1600S350-68	50	43' 9" e	39' 9" e	34' 0" e	48' 2" a	41' 8" a	31' 10" a	39' 9" e	36' 1" e	31' 7" e	44' 7" a	40' 6" a	31' 10" a
1600S200-97	50	44' 4"	40' 4"	35' 3"	49' 10" i	45' 3" i	37' 1" i	40' 4"	36' 7"	32' 0"	45' 3"	41' 1" i	35' 11" i
1600S250-97	50	45' 11"	41' 9"	36' 6"	51' 7" i	46' 10" i	38' 7" i	41' 9"	37' 11"	33' 2"	46' 10"	42' 7" i	37' 2" i
1600S300-97	50	47' 4"	43' 0"	37' 7"	53' 1" i	48' 3" i	39' 8" i	43' 0"	39' 1"	34' 1"	48' 3"	43' 10" i	38' 4" i
1600S350-97	50	49' 7"	45' 1"	39' 4"	55' 8" i	50' 7" i	43' 10" i	45' 1"	40' 11"	35' 9"	50' 7"	45' 11" i	40' 2" i
1600S200-118	50	47' 7"	43' 3"	37' 9"	53' 5"	48' 7"	42' 5" i	43' 3"	39' 4"	34' 4"	48' 7"	44' 2"	38' 7" i
1600S250-118	50	49' 3"	44' 9"	39' 1"	55' 3"	50' 3"	43' 10" i	44' 9"	40' 8"	35' 6"	50' 3"	45' 8"	39' 10" i
1600S300-118	50	50' 9"	46' 2"	40' 4"	57' 0"	51' 10" i	45' 3" i	46' 2"	41' 11"	36' 7"	51' 10"	47' 1"	41' 1" i
1600S350-118	50	53' 1"	48' 2"	42' 1"	59' 7"	54' 2"	47' 3" i	48' 2"	43' 10"	38' 3"	54' 2"	49' 2"	43' 0" i

## 10 psf Dead Load and 40 psf Live Load

Member	Fy (ksi)	Live Load Deflection L/360						Live Load Deflection L/480					
		Single Span			Two Equal Spans			Single Span			Two Equal Spans		
		Spacing (in) o.c.			Spacing (in) o.c.			Spacing (in) o.c.			Spacing (in) o.c.		
		12	16	24	12	16	24	12	16	24	12	16	24
600S162-33	33	11' 3" e	9' 9" e	7' 11" e	11' 3" i	9' 9" a	7' 7" a	11' 3" e	9' 9" e	7' 11" e	11' 3" i	9' 9" a	7' 7" a
600S200-33	33	12' 0" e	10' 5" e	8' 6" e	12' 0" a	10' 5" a	7' 11" a	11' 11" e	10' 5" e	8' 6" e	12' 0" a	10' 5" a	7' 11" a
600S162-43	33	13' 5"	11' 8"	9' 6" e	13' 5" i	11' 8" i	9' 6" a	12' 5"	11' 3"	9' 6" e	13' 5" i	11' 8" i	9' 6" a
600S200-43	33	14' 4"	12' 5" e	10' 2" e	14' 4" i	12' 5" i	10' 2" a	13' 0"	11' 10"	10' 2" e	14' 4" i	12' 5" i	10' 2" a
600S250-43	33	14' 8"	12' 9" e	10' 5" e	14' 8" i	12' 9" i	10' 5" a	13' 7"	12' 4" e	10' 5" e	14' 8" i	12' 9" i	10' 5" a
600S162-54	50	14' 7"	13' 3"	11' 7"	16' 5" i	14' 11" i	12' 9" i	13' 3"	12' 1"	10' 7"	14' 11" i	13' 7" i	11' 10" i
600S200-54	50	15' 4"	14' 0"	12' 2"	17' 3" i	15' 8" i	13' 6" i	14' 0"	12' 8"	11' 1"	15' 8"	14' 3" i	12' 5" i
600S250-54	50	16' 0"	14' 7"	12' 9"	18' 0" i	16' 4" i	13' 10" i	14' 7"	13' 3"	11' 7"	16' 4" i	14' 10" i	13' 0" i
600S162-68	50	15' 8"	14' 3"	12' 5"	17' 7"	16' 0"	14' 0" i	14' 3"	12' 11"	11' 4"	16' 0"	14' 6"	12' 8"
600S200-68	50	16' 6"	15' 0"	13' 1"	18' 6"	16' 10"	14' 8" i	15' 0"	13' 7"	11' 11"	16' 10"	15' 3"	13' 4" i
600S250-68	50	17' 3"	15' 8"	13' 9"	19' 5"	17' 8" i	15' 5" i	15' 8"	14' 3"	12' 6"	17' 8"	16' 0"	14' 0" i
600S162-97	50	17' 4"	15' 9"	13' 9"	19' 6"	17' 9"	15' 6"	15' 9"	14' 4"	12' 6"	17' 9"	16' 1"	14' 1"
600S200-97	50	18' 4"	16' 8"	14' 6"	20' 7"	18' 8"	16' 4"	16' 8"	15' 1"	13' 2"	18' 8"	17' 0"	14' 10"
600S250-97	50	19' 3"	17' 6"	15' 3"	21' 7"	19' 7"	17' 2"	17' 6"	15' 10"	13' 10"	19' 7"	17' 10"	15' 7"

See Allowable Floor Joist Span Table Notes on page 72.

# Floor Joist Span Tables



## 10 psf Dead Load and 40 psf Live Load

Member	Fy (ksi)	Live Load Deflection L/360						Live Load Deflection L/480					
		Single Span			Two Equal Spans			Single Span			Two Equal Spans		
		Spacing (in) o.c.			Spacing (in) o.c.			Spacing (in) o.c.			Spacing (in) o.c.		
		12	16	24	12	16	24	12	16	24	12	16	24
600S162-118	50	18' 4"	16' 8"	14' 7"	20' 7"	18' 9"	16' 4"	16' 8"	15' 2"	13' 3"	18' 9"	17' 0"	14' 10"
600S200-118	50	19' 4"	17' 7"	15' 4"	21' 9"	19' 9"	17' 3"	17' 7"	16' 0"	14' 0"	19' 9"	17' 11"	15' 8"
600S250-118	50	20' 4"	18' 6"	16' 2"	22' 10"	20' 9"	18' 2"	18' 6"	16' 10"	14' 8"	20' 9"	18' 10"	16' 6"
800S162-33	33	13' 0" e	11' 3" e	9' 2" e	11' 11" a	9' 8" a	7' 1" a	13' 0" e	11' 3" e	9' 2" e	11' 11" a	9' 8" a	7' 1" a
800S200-33	33	13' 11" e	12' 1" e	9' 6" e	12' 5" a	10' 0" a	7' 3" a	13' 11" e	12' 1" e	9' 6" e	12' 5" a	10' 0" a	7' 3" a
800S162-43	33	15' 8" e	13' 6" e	11' 1" e	15' 8" i	13' 6" a	11' 1" a	15' 5" e	13' 6" e	11' 1" e	15' 8" i	13' 6" a	11' 1" a
800S200-43	33	16' 9" e	14' 6" e	11' 10" e	16' 9" i	14' 6" a	11' 9" a	16' 4" e	14' 6" e	11' 10" e	16' 9" i	14' 6" a	11' 9" a
800S250-43	33	17' 2" e	14' 10" e	12' 2" e	17' 2" i	14' 10" a	12' 0" a	17' 0" e	14' 10" e	12' 2" e	17' 2" i	14' 10" a	12' 0" a
800S162-54	50	18' 3"	16' 7"	14' 6"	20' 6" i	18' 1" i	14' 10" i	16' 7"	15' 1"	13' 2"	18' 8" i	16' 11" i	14' 10" i
800S200-54	50	19' 4"	17' 6"	15' 4"	21' 8" i	19' 4" i	15' 9" i	17' 6"	15' 11"	13' 11"	19' 8" i	17' 11" i	15' 7" i
800S250-54	50	20' 1"	18' 3"	15' 11"	22' 6" i	19' 9" i	16' 2" i	18' 3"	16' 7"	14' 6"	20' 5" i	18' 7" i	16' 2" i
800S162-68	50	19' 9"	18' 0"	15' 8"	22' 2" i	20' 2" i	17' 4" i	18' 0"	16' 4"	14' 3"	20' 2" i	18' 4" i	16' 0" i
800S200-68	50	20' 9"	18' 10"	16' 5"	23' 3" i	21' 2" i	18' 6" i	18' 10"	17' 1"	14' 11"	21' 2" i	19' 2" i	16' 9" i
800S250-68	50	21' 7"	19' 8"	17' 2"	24' 3" i	22' 1" i	18' 11" i	19' 8"	17' 10"	15' 7"	22' 1" i	20' 0" i	17' 6" i
800S162-97	50	22' 0"	20' 0"	17' 5"	24' 8" i	22' 5" i	19' 7" i	20' 0"	18' 2"	15' 10"	22' 5" i	20' 4" i	17' 10" i
800S200-97	50	23' 1"	20' 11"	18' 4"	25' 11" i	23' 6" i	20' 6" i	20' 11" i	19' 0"	16' 7"	23' 6" i	21' 4" i	18' 8" i
800S250-97	50	24' 1"	21' 11"	19' 1"	27' 1" i	24' 7" i	21' 6" i	21' 11" i	19' 11"	17' 4"	24' 7" i	22' 4" i	19' 6" i
800S162-118	50	23' 3"	21' 2"	18' 5"	26' 1" i	23' 9" i	20' 9" i	21' 2" i	19' 2"	16' 9"	23' 9" i	21' 7" i	18' 10" i
800S200-118	50	24' 5"	22' 2"	19' 5"	27' 5" i	24' 11" i	21' 9" i	22' 2" i	20' 2"	17' 7"	24' 11" i	22' 8" i	19' 9" i
800S250-118	50	25' 6"	23' 2"	20' 3"	28' 8" i	26' 1" i	22' 9" i	23' 2" i	21' 1"	18' 5"	26' 1" i	23' 8" i	20' 8" i
1000S162-43	33	17' 4" e	15' 0" e	12' 3" e	17' 4" a	14' 8" a	10' 11" a	17' 4" e	15' 0" e	12' 3" e	17' 4" a	14' 8" a	10' 11" a
1000S200-43	33	18' 8" e	16' 2" e	13' 2" e	18' 8" a	15' 4" a	11' 4" a	18' 8" e	16' 2" e	13' 2" e	18' 8" a	15' 4" a	11' 4" a
1000S250-43	33	19' 3" e	16' 8" e	13' 7" e	19' 0" a	15' 7" a	11' 6" a	19' 3" e	16' 8" e	13' 7" e	19' 0" a	15' 7" a	11' 6" a
1000S162-54	50	21' 9"	19' 9"	16' 5"	23' 2" i	20' 1" i	16' 5" i	19' 9"	17' 11"	15' 8"	22' 2" i	20' 1" i	16' 5" i
1000S200-54	50	22' 9"	20' 8"	17' 8" e	24' 11" i	21' 7" i	17' 8" i	20' 8"	18' 9"	16' 5"	23' 2" i	21' 1" i	17' 8" i
1000S250-54	50	24' 0"	21' 10"	18' 1" e	25' 7" i	22' 2" i	18' 1" i	21' 10"	19' 10"	17' 4" e	24' 6" i	22' 2" i	18' 1" i
1000S162-68	50	23' 7"	21' 5"	18' 8"	26' 6" i	23' 9" i	19' 5" i	21' 5"	19' 5"	17' 0"	24' 0" i	21' 10" i	19' 1" i
1000S200-68	50	24' 7"	22' 4"	19' 7"	27' 8" i	25' 1" i	20' 9" i	22' 4"	20' 4"	17' 9"	25' 1" i	22' 10" i	19' 11" i
1000S250-68	50	25' 10"	23' 5"	20' 6"	29' 0" i	26' 1" i	21' 4" i	23' 5"	21' 4"	18' 7"	26' 4" i	23' 11" i	20' 11" i
1000S162-97	50	26' 6"	24' 1"	21' 0"	29' 9" i	27' 0" i	23' 7" i	24' 1" i	21' 10"	19' 1"	27' 0" i	24' 6" i	21' 5" i
1000S200-97	50	27' 8"	25' 1"	21' 11"	31' 0" i	28' 2" i	24' 8" i	25' 1" i	22' 10"	19' 11"	28' 2" i	25' 7" i	22' 5" i
1000S250-97	50	28' 9"	26' 2"	22' 10"	32' 4" i	29' 4" i	25' 8" i	26' 2" i	23' 9"	20' 9"	29' 4" i	26' 8" i	23' 4" i
1000S162-118	50	28' 0"	25' 6"	22' 3"	31' 6" i	28' 7" i	25' 0" i	25' 6"	23' 2"	20' 3"	28' 7" i	26' 0" i	22' 8" i
1000S200-118	50	29' 4"	26' 8"	23' 3"	32' 11" i	29' 11" i	26' 1" i	26' 8"	24' 2"	21' 2"	29' 11" i	27' 2" i	23' 9" i
1000S250-118	50	30' 7"	27' 9"	24' 3"	34' 4" i	31' 2" i	27' 3" i	27' 9"	25' 3"	22' 0"	31' 2" i	28' 4" i	24' 9" i
1200S162-54	50	25' 0" e	21' 8" e	17' 8" e	25' 0" a	21' 8" a	16' 9" a	22' 9" e	20' 8" e	17' 8" e	25' 0" a	21' 8" a	16' 9" a
1200S200-54	50	26' 2" e	23' 5" e	19' 1" e	27' 0" a	23' 3" a	17' 6" a	23' 9" e	21' 7" e	18' 10" e	26' 8" a	23' 3" a	17' 6" a
1200S250-54	50	27' 3" e	24' 2" e	19' 9" e	27' 11" a	23' 9" a	17' 10" a	24' 9" e	22' 6" e	19' 7" e	27' 9" a	23' 9" a	17' 10" a
1200S162-68	50	27' 2"	24' 8"	21' 0"	29' 8" i	25' 9" i	21' 0" i	24' 8"	22' 5"	19' 7"	27' 9" i	25' 2" i	21' 0" i
1200S200-68	50	28' 4"	25' 9"	22' 6"	31' 10" i	27' 8" i	22' 7" i	25' 9"	23' 5"	20' 5"	28' 11" i	26' 3" i	22' 7" i
1200S250-68	50	29' 6"	26' 10"	23' 4"	33' 0" i	28' 7" i	23' 4" i	26' 10"	24' 5"	21' 4"	30' 2" i	27' 4" i	23' 4" i
1200S162-97	50	30' 10"	28' 0"	24' 5"	34' 7" i	31' 5" i	27' 3" i	28' 0"	25' 5"	22' 3"	31' 5" i	28' 7" i	24' 11" i
1200S200-97	50	32' 1"	29' 2"	25' 5"	36' 0" i	32' 9" i	28' 7" i	29' 2"	26' 6"	23' 1"	32' 9" i	29' 9" i	26' 0" i
1200S250-97	50	33' 4"	30' 3"	26' 5"	37' 5" i	34' 0" i	29' 8" i	30' 3"	27' 6"	24' 0"	34' 0" i	30' 11" i	27' 0" i
1200S162-118	50	32' 9"	29' 9"	26' 0"	36' 9" i	33' 5" i	29' 2" i	29' 9"	27' 0"	23' 7"	33' 5" i	30' 4" i	26' 6" i
1200S200-118	50	34' 1"	31' 0"	27' 1"	38' 4" i	34' 10" i	30' 5" i	31' 0"	28' 2"	24' 7"	34' 10" i	31' 7" i	27' 7" i
1200S250-118	50	35' 5"	32' 2"	28' 2"	39' 9" i	36' 2" i	31' 7" i	32' 2"	29' 3"	25' 7"	36' 2" i	32' 10" i	28' 8" i
1200S300-118	50	36' 7"	33' 3"	29' 0"	41' 1" i	37' 4" i	32' 7" i	33' 3"	30' 2"	26' 4"	37' 4" i	33' 11" i	29' 7" i
1200S350-118	50	38' 5"	34' 11"	30' 6"	43' 2" i	39' 3" i	34' 3" i	34' 11" i	31' 9"	27' 9"	39' 3" i	35' 8" i	31' 1" i
1400S200-54	50	28' 8" e	24' 10" e	20' 3" e	27' 9" a	22' 8" a	16' 9" a	26' 8" e	24' 3" e	20' 3" e	27' 9" a	22' 8" a	16' 9" a
1400S250-54	50	29' 10" e	25' 10" e	21' 1" e	28' 5" a	23' 1" a	17' 0" a	27' 9" e	25' 3" e	21' 1" e	28' 5" a	23' 1" a	17' 0" a
1400S300-54	50	30' 6" e	26' 5" e	21' 7" e	28' 9" a	23' 5" a	17' 3" a	28' 2" e	25' 7" e	21' 7" e	28' 9" a	23' 5" a	17' 3" a
1400S350-54	50	33' 2" e	29' 9" e	23' 6" e	30' 9" a	24' 10" a	18' 1" a	30' 1" e	27' 4" e	23' 6" e	30' 9" a	24' 10" a	18' 1" a
1400S200-68	50	31' 11"	29' 0"	24' 1" e	34' 1" i	29' 6" i	24' 1" i	29' 0"	26' 4"	23' 0"	32' 7" i	29' 6" i	24' 1" i
1400S250-68	50	33' 3"	30' 2"	25' 0" e	35' 4" i	30' 8" i	25' 0" i	30' 2"	27' 5"	24' 0"	33' 11" i	30' 8" i	25' 0" i
1400S300-68	50	34' 1"	31' 0"	25' 7" e	36' 2" i	31' 4" i	25' 7" i	31' 0"	28' 2"	24' 7" e	34' 9" i	31' 4" i	25' 7" i
1400S350-68	50	36' 7"	33' 3"	28' 7" e	40' 5" i	35' 0" i	27' 9" i	33' 3"	30' 2"	26' 4" e	37' 3" i	33' 11" i	27' 9" i

See Allowable Floor Joist Span Table Notes on page 72.



# Floor Joist Span Tables



## 10 psf Dead Load and 40 psf Live Load

Member	Fy (ksi)	Live Load Deflection L/360						Live Load Deflection L/480					
		Single Span			Two Equal Spans			Single Span			Two Equal Spans		
		Spacing (in) o.c.			Spacing (in) o.c.			Spacing (in) o.c.			Spacing (in) o.c.		
		12	16	24	12	16	24	12	16	24	12	16	24
1400S200-97	50	36' 3"	32' 11"	28' 9"	40' 8" i	37' 0" i	31' 4" i	32' 11"	29' 11"	26' 2"	37' 0"	33' 7" i	29' 4" i
1400S250-97	50	37' 7"	34' 2"	29' 10"	42' 3" i	38' 4" i	32' 6" i	34' 2"	31' 0"	27' 1"	38' 4"	34' 10" i	30' 5" i
1400S300-97	50	38' 9"	35' 2"	30' 9"	43' 6" i	39' 6" i	33' 3" i	35' 2"	32' 0"	27' 11"	39' 6"	35' 11" i	31' 4" i
1400S350-97	50	40' 11"	37' 2"	32' 5"	45' 11" i	41' 8" i	36' 5" i	37' 2"	33' 9"	29' 6"	41' 8"	37' 11" i	33' 1" i
1400S200-118	50	38' 10"	35' 3"	30' 10"	43' 7"	39' 7"	34' 7" i	35' 3"	32' 0"	28' 0"	39' 7"	36' 0"	31' 5"
1400S250-118	50	40' 3"	36' 6"	31' 11"	45' 2"	41' 0"	35' 10" i	36' 6"	33' 2"	29' 0"	41' 0"	37' 3"	32' 7"
1400S300-118	50	41' 6"	37' 9"	33' 0"	46' 8"	42' 4"	37' 0" i	37' 9"	34' 3"	29' 11"	42' 4"	38' 6"	33' 8" i
1400S350-118	50	43' 6"	39' 6"	34' 6"	48' 10"	44' 4"	38' 9" i	39' 6"	35' 11"	31' 4"	44' 4"	40' 4"	35' 2"
1600S200-68	50	35' 5" e	31' 0" e	25' 4" e	35' 10" a	31' 0" a	24' 5" a	32' 2" e	29' 2" e	25' 4" e	35' 10" a	31' 0" a	24' 5" a
1600S250-68	50	36' 9" e	32' 4" e	26' 5" e	37' 4" a	32' 4" a	25' 1" a	33' 5" e	30' 4" e	26' 5" e	37' 4" a	32' 4" a	25' 1" a
1600S300-68	50	37' 9" e	33' 3" e	27' 2" e	38' 5" a	33' 3" a	25' 5" a	34' 3" e	31' 2" e	27' 2" e	38' 5" a	33' 3" a	25' 5" a
1600S350-68	50	39' 9" e	36' 1" e	30' 5" e	43' 1" a	36' 3" a	27' 1" a	36' 1" e	32' 10" e	28' 8" e	40' 6" a	36' 3" a	27' 1" a
1600S200-97	50	40' 4"	36' 7"	32' 0"	45' 3" i	40' 8" i	33' 2" i	36' 7"	33' 3"	29' 1"	41' 1"	37' 4" i	32' 8" i
1600S250-97	50	41' 9"	37' 11"	33' 2"	46' 10" i	42' 3" i	34' 6" i	37' 11"	34' 6"	30' 1"	42' 7"	38' 8" i	33' 10" i
1600S300-97	50	43' 0"	39' 1"	34' 1"	48' 3" i	43' 5" i	35' 5" i	39' 1"	35' 6"	31' 0"	43' 10"	39' 10" i	34' 10" i
1600S350-97	50	45' 1"	40' 11"	35' 9"	50' 7" i	45' 11" i	39' 2" i	40' 11"	37' 2"	32' 6"	45' 11"	41' 9" i	36' 6" i
1600S200-118	50	43' 3"	39' 4"	34' 4"	48' 7"	44' 2" i	38' 6" i	39' 4"	35' 9"	31' 2"	44' 2"	40' 1"	35' 0" i
1600S250-118	50	44' 9"	40' 8"	35' 6"	50' 3"	45' 8" i	39' 10" i	40' 8"	36' 11"	32' 3"	45' 8"	41' 6"	36' 3" i
1600S300-118	50	46' 2"	41' 11"	36' 7"	51' 10"	47' 1" i	41' 1" i	41' 11"	38' 1"	33' 3"	47' 1"	42' 9"	37' 4" i
1600S350-118	50	48' 2"	43' 10"	38' 3"	54' 2"	49' 2" i	43' 0" i	43' 10"	39' 10"	34' 9"	49' 2"	44' 8"	39' 0" i

## 10 psf Dead Load and 50 psf Live Load

Member	Fy (ksi)	Live Load Deflection L/360						Live Load Deflection L/480					
		Single Span			Two Equal Spans			Single Span			Two Equal Spans		
		Spacing (in) o.c.			Spacing (in) o.c.			Spacing (in) o.c.			Spacing (in) o.c.		
		12	16	24	12	16	24	12	16	24	12	16	24
600S162-33	33	10' 3" e	8' 11" e	7' 3" e	10' 3" a	8' 11" a	6' 8" a	10' 3" e	8' 11" e	7' 3" e	10' 3" a	8' 11" a	6' 8" a
600S200-33	33	10' 11" e	9' 6" e	7' 9" e	10' 11" a	9' 3" a	6' 11" a	10' 11" e	9' 6" e	7' 9" e	10' 11" a	9' 3" a	6' 11" a
600S162-43	33	12' 3"	10' 8" e	8' 8" e	12' 3" i	10' 8" i	8' 8" a	11' 6"	10' 5" e	8' 8" e	12' 3" i	10' 8" i	8' 8" a
600S200-43	33	13' 1"	11' 4" e	9' 3" e	13' 1" i	11' 4" i	9' 3" a	12' 1"	11' 0" e	9' 3" e	13' 1" i	11' 4" i	9' 3" a
600S250-43	33	13' 5" e	11' 7" e	9' 6" e	13' 5" i	11' 7" i	9' 6" a	12' 8"	11' 6" e	9' 6" e	13' 5" i	11' 7" i	9' 6" a
600S162-54	50	13' 7"	12' 4"	10' 9"	15' 3" i	13' 10" i	11' 7" i	12' 4"	11' 2"	9' 9"	13' 10" i	12' 7" i	11' 0" i
600S200-54	50	14' 3"	13' 0"	11' 4"	16' 0" i	14' 7" i	12' 4" i	13' 0"	11' 9"	10' 3"	14' 7" i	13' 3" i	11' 7" i
600S250-54	50	14' 11"	13' 6"	11' 10"	16' 8" i	15' 2" i	12' 8" i	13' 6"	12' 3"	10' 9"	15' 2" i	13' 9" i	12' 1" i
600S162-68	50	14' 7"	13' 3"	11' 7"	16' 4"	14' 10" i	13' 0" i	13' 3"	12' 0"	10' 6"	14' 10" i	13' 6"	11' 9" i
600S200-68	50	15' 4"	13' 11"	12' 2"	17' 2" i	15' 7" i	13' 8" i	13' 11"	12' 8"	11' 0"	15' 7" i	14' 2"	12' 5" i
600S250-68	50	16' 1"	14' 7"	12' 9"	18' 0" i	16' 4" i	14' 4" i	14' 7"	13' 3"	11' 7"	16' 4"	14' 10"	13' 0" i
600S162-97	50	16' 2"	14' 8"	12' 10"	18' 1"	16' 5"	14' 4"	14' 8"	13' 4"	11' 8"	16' 5"	14' 11"	13' 1" i
600S200-97	50	17' 0"	15' 5"	13' 6"	19' 1" i	17' 4"	15' 2"	15' 5"	14' 0"	12' 3"	17' 4"	15' 9"	13' 9" i
600S250-97	50	17' 10"	16' 3"	14' 2"	20' 0" i	18' 2"	15' 11"	16' 3"	14' 9"	12' 10"	18' 2"	16' 6"	14' 5" i
600S162-118	50	17' 0"	15' 6"	13' 6"	19' 1" i	17' 5"	15' 2"	15' 6"	14' 1"	12' 3"	17' 5"	15' 9"	13' 9" i
600S200-118	50	18' 0"	16' 4"	14' 3"	20' 2" i	18' 4"	16' 0"	16' 4"	14' 10"	13' 0"	18' 4"	16' 8"	14' 7" i
600S250-118	50	18' 11"	17' 2"	15' 0"	21' 3" i	19' 3"	16' 10"	17' 2"	15' 7"	13' 7"	19' 3"	17' 6"	15' 4" i
800S162-33	33	11' 10" e	10' 3" e	7' 11" e	10' 6" a	8' 5" a	6' 2" a	11' 10" e	10' 3" e	7' 11" e	10' 6" a	8' 5" a	6' 2" a
800S200-33	33	12' 8" e	11' 0" e	7' 11" e	10' 10" a	8' 9" a	6' 4" a	12' 8" e	11' 0" e	7' 11" e	10' 10" a	8' 9" a	6' 4" a
800S162-43	33	14' 3" e	12' 4" e	10' 1" e	14' 3" i	12' 4" a	10' 0" a	14' 3" e	12' 4" e	10' 1" e	14' 3" i	12' 4" a	10' 0" a
800S200-43	33	15' 3" e	13' 3" e	10' 10" e	15' 3" a	13' 3" a	10' 5" a	15' 2" e	13' 3" e	10' 10" e	15' 3" a	13' 3" a	10' 5" a
800S250-43	33	15' 8" e	13' 7" e	11' 1" e	15' 8" a	13' 7" a	10' 6" a	15' 8" e	13' 7" e	11' 1" e	15' 8" a	13' 7" a	10' 6" a
800S162-54	50	17' 0"	15' 5"	13' 6"	19' 1" i	16' 6" i	13' 6" i	15' 5"	14' 0"	12' 3"	17' 4" i	15' 9" i	13' 6" i
800S200-54	50	17' 11"	16' 3"	14' 3"	20' 1" i	17' 8" i	14' 5" i	16' 3"	14' 9"	12' 11"	18' 3" i	16' 7" i	14' 5" i

See Allowable Floor Joist Span Table Notes on page 72.

# Floor Joist Span Tables



## 10 psf Dead Load and 50 psf Live Load

Member	Fy (ksi)	Live Load Deflection L/360						Live Load Deflection L/480					
		Single Span			Two Equal Spans			Single Span			Two Equal Spans		
		Spacing (in) o.c.			Spacing (in) o.c.			Spacing (in) o.c.			Spacing (in) o.c.		
		12	16	24	12	16	24	12	16	24	12	16	24
800S250-54	50	18' 7"	16' 11"	14' 9" e	20' 10" i	18' 1" i	14' 9" i	16' 11"	15' 4"	13' 5"	19' 0" i	17' 3" i	14' 9" i
800S162-68	50	18' 4"	16' 8"	14' 7"	20' 7" i	18' 9" i	15' 10" i	16' 8"	15' 2"	13' 3"	18' 9"	17' 0" i	14' 10" i
800S200-68	50	19' 3"	17' 6"	15' 3"	21' 7" i	19' 7" i	16' 10" i	17' 6"	15' 11"	13' 10"	19' 7"	17' 10" i	15' 7" i
800S250-68	50	20' 1"	18' 3"	15' 11"	22' 6" i	20' 6" i	17' 3" i	18' 3"	16' 7"	14' 6"	20' 6"	18' 7" i	16' 3" i
800S162-97	50	20' 5"	18' 6"	16' 2"	22' 11"	20' 10"	18' 2" i	18' 6"	16' 10"	14' 9"	20' 10"	18' 11"	16' 6"
800S200-97	50	21' 5"	19' 5"	17' 0"	24' 0"	21' 10"	19' 1" i	19' 5"	17' 8"	15' 5"	21' 10"	19' 10"	17' 4"
800S250-97	50	22' 4"	20' 4"	17' 9"	25' 1"	22' 10"	19' 11" i	20' 4"	18' 5"	16' 1"	22' 10"	20' 9"	18' 1"
800S162-118	50	21' 7"	19' 7"	17' 2"	24' 3"	22' 0"	19' 3"	19' 7"	17' 10"	15' 7"	22' 0"	20' 0"	17' 6"
800S200-118	50	22' 8"	20' 7"	18' 0"	25' 5"	23' 1"	20' 2"	20' 7"	18' 8"	16' 4"	23' 1"	21' 0"	18' 4"
800S250-118	50	23' 8"	21' 6"	18' 10"	26' 7"	24' 2"	21' 2"	21' 6"	19' 7"	17' 1"	24' 2"	22' 0"	19' 2"
1000S162-43	33	15' 10" e	13' 8" e	11' 2" e	15' 9" a	12' 10" a	9' 7" a	15' 10" e	13' 8" e	11' 2" e	15' 9" a	12' 10" a	9' 7" a
1000S200-43	33	17' 1" e	14' 9" e	12' 1" e	16' 6" a	13' 5" a	9' 11" a	17' 1" e	14' 9" e	12' 1" e	16' 6" a	13' 5" a	9' 11" a
1000S250-43	33	17' 6" e	15' 2" e	12' 5" e	16' 9" a	13' 7" a	10' 1" a	17' 6" e	15' 2" e	12' 5" e	16' 9" a	13' 7" a	10' 1" a
1000S162-54	50	20' 2"	18' 4"	15' 0" e	21' 2" i	18' 4" i	15' 0" i	18' 4"	16' 8"	14' 7" e	20' 7" i	18' 4" i	15' 0" i
1000S200-54	50	21' 1"	19' 2"	16' 1" e	22' 9" i	19' 9" i	15' 10" i	19' 2"	17' 5"	15' 3" e	21' 6" i	19' 7" i	15' 10" i
1000S250-54	50	22' 3"	20' 3"	16' 6" e	23' 5" i	20' 3" i	16' 1" i	20' 3"	18' 5"	16' 1" e	22' 9" i	20' 3" i	16' 1" i
1000S162-68	50	21' 11"	19' 11"	17' 4"	24' 7" i	21' 8" i	17' 8" i	19' 11"	18' 1"	15' 9"	22' 4" i	20' 3" i	17' 8" i
1000S200-68	50	22' 10"	20' 9"	18' 2"	25' 8" i	23' 2" i	18' 11" i	20' 9"	18' 10"	16' 6"	23' 4" i	21' 2" i	18' 6" i
1000S250-68	50	24' 0"	21' 9"	19' 0"	26' 11" i	23' 10" i	19' 6" i	21' 9"	19' 9"	17' 3"	24' 5" i	22' 3" i	19' 5" i
1000S162-97	50	24' 7"	22' 4"	19' 6"	27' 7"	25' 1"	21' 11" i	22' 4"	20' 3"	17' 9"	25' 1"	22' 9"	19' 11" i
1000S200-97	50	25' 8"	23' 4"	20' 4"	28' 10"	26' 2"	22' 10" i	23' 4"	21' 2"	18' 6"	26' 2"	23' 9"	20' 9" i
1000S250-97	50	26' 9"	24' 3"	21' 3"	30' 0"	27' 3" i	23' 10" i	24' 3"	22' 1"	19' 3"	27' 3"	24' 9"	21' 8" i
1000S162-118	50	26' 0"	23' 8"	20' 8"	29' 3"	26' 7"	23' 2"	23' 8"	21' 6"	18' 9"	26' 7"	24' 1"	21' 1"
1000S200-118	50	27' 3"	24' 9"	21' 7"	30' 7"	27' 9"	24' 3"	24' 9"	22' 6"	19' 7"	27' 9"	25' 3"	22' 0"
1000S250-118	50	28' 4"	25' 9"	22' 6"	31' 10"	28' 11"	25' 3"	25' 9"	23' 5"	20' 5"	28' 11"	26' 3"	22' 11"
1200S162-54	50	22' 10" e	19' 9" e	16' 1" e	22' 10" a	19' 6" a	14' 8" a	21' 1" e	19' 2" e	16' 1" e	22' 10" a	19' 6" a	14' 8" a
1200S200-54	50	24' 3" e	21' 4" e	17' 5" e	24' 8" a	20' 6" a	15' 4" a	22' 0" e	20' 0" e	17' 5" e	24' 8" a	20' 6" a	15' 4" a
1200S250-54	50	25' 3" e	22' 1" e	18' 0" e	25' 6" a	20' 11" a	15' 7" a	22' 11" e	20' 10" e	18' 0" e	25' 6" a	20' 11" a	15' 7" a
1200S162-68	50	25' 3"	22' 11"	19' 2"	27' 1" i	23' 6" i	19' 2" i	22' 11"	20' 10"	18' 2"	25' 9" i	23' 5" i	19' 2" i
1200S200-68	50	26' 4"	23' 11"	20' 8" e	29' 2" i	25' 3" i	20' 8" i	23' 11"	21' 9"	19' 0"	26' 10" i	24' 5" i	20' 8" i
1200S250-68	50	27' 5"	24' 11"	21' 4" e	30' 1" i	26' 1" i	21' 4" i	24' 11"	22' 8"	19' 9"	28' 0" i	25' 5" i	21' 4" i
1200S162-97	50	28' 7"	26' 0"	22' 8"	32' 1"	29' 2" i	24' 11" i	26' 0"	23' 7"	20' 7"	29' 2"	26' 6"	23' 2" i
1200S200-97	50	29' 9"	27' 1"	23' 8"	33' 5"	30' 4" i	26' 6" i	27' 1"	24' 7"	21' 6"	30' 4"	27' 7"	24' 1" i
1200S250-97	50	30' 11"	28' 1"	24' 7"	34' 9"	31' 7" i	27' 5" i	28' 1"	25' 6"	22' 4"	31' 7"	28' 8"	25' 0" i
1200S162-118	50	30' 5"	27' 7"	24' 2"	34' 2"	31' 0"	27' 1" i	27' 7"	25' 1"	21' 11"	31' 0"	28' 2"	24' 7"
1200S200-118	50	31' 8"	28' 9"	25' 2"	35' 7"	32' 4"	28' 3" i	28' 9"	26' 2"	22' 10"	32' 4"	29' 4"	25' 8"
1200S250-118	50	32' 11"	29' 11"	26' 1"	36' 11"	33' 7"	29' 4" i	29' 11"	27' 2"	23' 9"	33' 7"	30' 6"	26' 8"
1200S300-118	50	33' 11"	30' 10"	26' 11"	38' 1"	34' 7"	30' 3" i	30' 10"	28' 0"	24' 6"	34' 7"	31' 5"	27' 6"
1200S350-118	50	35' 8"	32' 5"	28' 4"	40' 1"	36' 5"	31' 10" i	32' 5"	29' 6"	25' 9"	36' 5"	33' 1"	28' 11"
1400S200-54	50	26' 2" e	22' 8" e	18' 6" e	24' 5" a	19' 10" a	14' 7" a	24' 9" e	22' 6" e	18' 6" e	24' 5" a	19' 10" a	14' 7" a
1400S250-54	50	27' 2" e	23' 7" e	19' 3" e	24' 11" a	20' 2" a	14' 10" a	25' 9" e	23' 5" e	19' 3" e	24' 11" a	20' 2" a	14' 10" a
1400S300-54	50	27' 10" e	24' 2" e	19' 7" e	25' 3" a	20' 5" a	14' 11" a	26' 2" e	23' 9" e	19' 7" e	25' 3" a	20' 5" a	14' 11" a
1400S350-54	50	30' 9" e	27' 1" e	19' 7" e	26' 10" a	21' 7" a	15' 8" a	27' 11" e	25' 5" e	19' 7" e	26' 10" a	21' 7" a	15' 8" a
1400S200-68	50	29' 8"	26' 11"	22' 0" e	31' 1" i	26' 11" i	22' 0" i	26' 11"	24' 6"	21' 5" e	30' 3" i	26' 11" i	22' 0" i
1400S250-68	50	30' 10"	28' 0"	22' 10" e	32' 3" i	28' 0" i	22' 6" i	28' 0"	25' 6"	22' 3" e	31' 6" i	28' 0" i	22' 6" i
1400S300-68	50	31' 8"	28' 7"	23' 4" e	33' 1" i	28' 7" i	22' 10" i	28' 9"	26' 2"	22' 10" e	32' 4" i	28' 7" i	22' 10" i
1400S350-68	50	33' 11"	30' 10" e	26' 1" e	36' 11" i	31' 11" i	24' 5" a	30' 10"	28' 0"	24' 6" e	34' 7" i	31' 5" i	24' 5" a
1400S200-97	50	33' 8"	30' 7"	26' 9"	37' 9" i	34' 4" i	28' 7" i	30' 7"	27' 9"	24' 3"	34' 4"	31' 2" i	27' 3" i
1400S250-97	50	34' 11"	31' 9"	27' 8"	39' 2" i	35' 7" i	29' 8" i	31' 9"	28' 10"	25' 2"	35' 7"	32' 4" i	28' 3" i
1400S300-97	50	36' 0"	32' 8"	28' 7"	40' 5" i	36' 8" i	30' 4" i	32' 8"	29' 8"	25' 11"	36' 8"	33' 4" i	29' 1" i
1400S350-97	50	37' 11"	34' 6"	30' 1"	42' 7" i	38' 8" i	33' 5" i	34' 6"	31' 4"	27' 4"	38' 8"	35' 2" i	30' 9" i
1400S200-118	50	36' 0"	32' 9"	28' 7"	40' 5"	36' 9" i	32' 1" i	32' 9"	29' 9"	26' 0"	36' 9"	33' 5"	29' 2" i
1400S250-118	50	37' 4"	33' 11"	29' 8"	41' 11"	38' 1" i	33' 3" i	33' 11"	30' 10"	26' 11"	38' 1"	34' 7"	30' 3" i
1400S300-118	50	38' 7"	35' 0"	30' 7"	43' 3"	39' 4" i	34' 4" i	35' 0"	31' 10"	27' 10"	39' 4"	35' 9"	31' 3" i
1400S350-118	50	40' 4"	36' 8"	32' 0"	45' 4"	41' 2" i	36' 0" i	36' 8"	33' 4"	29' 1"	41' 2"	37' 5"	32' 8" i

See Allowable Floor Joist Span Table Notes on page 72.

# Floor Joist Span Tables



## 10 psf Dead Load and 50 psf Live Load

Member	Fy (ksi)	Live Load Deflection L/360						Live Load Deflection L/480					
		Single Span			Two Equal Spans			Single Span			Two Equal Spans		
		Spacing (in) o.c.			Spacing (in) o.c.			Spacing (in) o.c.			Spacing (in) o.c.		
		12	16	24	12	16	24	12	16	24	12	16	24
1600S200-68	50	32' 9" e	28' 4" e	23' 2" e	32' 9" a	28' 4" a	21' 6" a	29' 10" e	27' 1" e	23' 2" e	32' 9" a	28' 4" a	21' 6" a
1600S250-68	50	34' 1" e	29' 6" e	24' 1" e	34' 1" a	29' 3" a	22' 0" a	31' 0" e	28' 2" e	24' 1" e	34' 1" a	29' 3" a	22' 0" a
1600S300-68	50	35' 0" e	30' 4" e	24' 9" e	35' 1" a	29' 9" a	22' 4" a	31' 10" e	28' 11" e	24' 9" e	35' 1" a	29' 9" a	22' 4" a
1600S350-68	50	36' 11" e	33' 6" e	27' 10" e	39' 0" a	31' 10" a	23' 8" a	33' 6" e	30' 5" e	26' 7" e	37' 8" a	31' 10" a	23' 8" a
1600S200-97	50	37' 5" e	34' 0" e	29' 8" e	42' 0" i	37' 1" i	30' 3" i	34' 0" e	30' 11" e	27' 0" e	38' 2" i	34' 8" i	30' 3" i
1600S250-97	50	38' 9" e	35' 3" e	30' 9" e	43' 6" i	38' 7" i	31' 6" i	35' 3" e	32' 0" e	27' 11" e	39' 6" i	35' 11" i	31' 5" i
1600S300-97	50	39' 11" e	36' 3" e	31' 8" e	44' 10" i	39' 8" i	32' 4" i	36' 3" e	32' 11" e	28' 9" e	40' 8" i	37' 0" i	32' 4" i
1600S350-97	50	41' 10" e	38' 0" e	33' 2" e	46' 11" i	42' 8" i	35' 9" i	38' 0" e	34' 6" e	30' 2" e	42' 8" i	38' 9" i	33' 10" i
1600S200-118	50	40' 2" e	36' 6" e	31' 10" e	45' 1" i	41' 0" i	35' 1" i	36' 6" e	33' 2" e	29' 0" e	41' 0" e	37' 3" e	32' 6" i
1600S250-118	50	41' 6" e	37' 9" e	33' 0" e	46' 7" i	42' 4" i	36' 6" i	37' 9" e	34' 3" e	29' 11" e	42' 4" e	38' 6" e	33' 7" i
1600S300-118	50	42' 10" e	38' 11" e	34' 0" e	48' 1" i	43' 8" i	37' 6" i	38' 11" e	35' 4" e	30' 11" e	43' 8" e	39' 8" e	34' 8" i
1600S350-118	50	44' 9" e	40' 8" e	35' 6" e	50' 3" i	45' 8" i	39' 11" i	40' 8" e	36' 11" e	32' 3" e	45' 8" e	41' 6" e	36' 3" i

## 15 psf Dead Load and 125 psf Live Load

Member	Fy (ksi)	Live Load Deflection L/360						Live Load Deflection L/480					
		Single Span			Two Equal Spans			Single Span			Two Equal Spans		
		Spacing (in) o.c.			Spacing (in) o.c.			Spacing (in) o.c.			Spacing (in) o.c.		
		12	16	24	12	16	24	12	16	24	12	16	24
600S162-33	33	6' 9" e	5' 10" e	4' 7" e	6' 0" a	4' 10" a	3' 6" a	6' 9" e	5' 10" e	4' 7" e	6' 0" a	4' 10" a	3' 6" a
600S200-33	33	7' 2" e	6' 2" e	4' 7" e	6' 2" a	5' 0" a	3' 7" a	7' 2" e	6' 2" e	4' 7" e	6' 2" a	5' 0" a	3' 7" a
600S162-43	33	8' 0" e	7' 0" e	5' 8" e	8' 0" a	7' 0" a	5' 8" a	8' 0" e	7' 0" e	5' 8" e	8' 0" a	7' 0" a	5' 8" a
600S200-43	33	8' 7" e	7' 5" e	6' 1" e	8' 7" a	7' 5" a	5' 11" a	8' 7" e	7' 5" e	6' 1" e	8' 7" a	7' 5" a	5' 11" a
600S250-43	33	8' 9" e	7' 7" e	6' 3" e	8' 9" a	7' 7" a	6' 0" a	8' 9" e	7' 7" e	6' 3" e	8' 9" a	7' 7" a	6' 0" a
600S162-54	50	10' 0" e	9' 1" e	7' 7" e	10' 9" i	9' 4" i	7' 7" a	9' 1" e	8' 3" e	7' 3" e	10' 2" i	9' 3" i	7' 7" a
600S200-54	50	10' 6" e	9' 7" e	8' 1" e	11' 5" i	9' 11" i	8' 1" a	9' 7" e	8' 8" e	7' 7" e	10' 9" i	9' 9" i	8' 1" a
600S250-54	50	11' 0" e	9' 11" e	8' 3" e	11' 8" i	10' 2" i	8' 3" a	9' 11" e	9' 1" e	7' 11" e	11' 2" i	10' 2" i	8' 3" a
600S162-68	50	10' 9" e	9' 9" e	8' 6" e	12' 0" i	10' 10" i	8' 10" i	9' 9" e	8' 10" e	7' 9" e	10' 11" i	9' 11" i	8' 8" i
600S200-68	50	11' 3" e	10' 3" e	8' 11" e	12' 8" i	11' 6" i	9' 5" i	10' 3" e	9' 4" e	8' 2" e	11' 6" i	10' 5" i	9' 2" i
600S250-68	50	11' 10" e	10' 9" e	9' 5" e	13' 3" i	11' 10" i	9' 8" i	10' 9" e	9' 9" e	8' 6" e	12' 1" i	10' 11" i	9' 7" i
600S162-97	50	11' 11" e	10' 10" e	9' 5" e	13' 4" i	12' 1" i	10' 7" i	10' 10" e	9' 10" e	8' 7" e	12' 1" i	11' 0" i	9' 7" i
600S200-97	50	12' 6" e	11' 4" e	9' 11" e	14' 1" i	12' 9" i	11' 2" i	11' 4" e	10' 4" e	9' 0" e	12' 9" i	11' 7" i	10' 2" i
600S250-97	50	13' 2" e	11' 11" e	10' 5" e	14' 9" i	13' 5" i	11' 9" i	11' 11" e	10' 10" e	9' 6" e	13' 5" i	12' 2" i	10' 8" i
600S162-118	50	12' 7" e	11' 5" e	10' 0" e	14' 1" i	12' 10" i	11' 2" i	11' 5" e	10' 4" e	9' 1" e	12' 10" i	11' 8" i	10' 2" i
600S200-118	50	13' 3" e	12' 0" e	10' 6" e	14' 10" i	13' 6" i	11' 10" i	12' 0" e	10' 11" e	9' 7" e	13' 6" i	12' 3" i	10' 9" i
600S250-118	50	13' 11" e	12' 8" e	11' 1" e	15' 8" i	14' 2" i	12' 5" i	12' 8" e	11' 6" e	10' 0" e	14' 2" i	12' 11" i	11' 3" i
800S162-33	33	6' 9" e	5' 1" e	3' 5" e	5' 5" a	4' 1" a	2' 8" a	6' 9" e	5' 1" e	3' 5" e	5' 5" a	4' 1" a	2' 8" a
800S200-33	33	6' 9" e	5' 1" e	3' 5" e	5' 5" a	4' 1" a	2' 8" a	6' 9" e	5' 1" e	3' 5" e	5' 5" a	4' 1" a	2' 8" a
800S162-43	33	9' 4" e	8' 1" e	6' 7" e	9' 0" a	7' 4" a	5' 5" a	9' 4" e	8' 1" e	6' 7" e	9' 0" a	7' 4" a	5' 5" a
800S200-43	33	10' 0" e	8' 8" e	7' 1" e	9' 4" a	7' 6" a	5' 7" a	10' 0" e	8' 8" e	7' 1" e	9' 4" a	7' 6" a	5' 7" a
800S250-43	33	10' 3" e	8' 11" e	7' 3" e	9' 6" a	7' 8" a	5' 8" a	10' 3" e	8' 11" e	7' 3" e	9' 6" a	7' 8" a	5' 8" a
800S162-54	50	12' 6" e	10' 10" e	8' 10" e	12' 6" i	10' 10" i	8' 8" a	11' 4" e	10' 4" e	8' 10" e	12' 6" i	10' 10" i	8' 8" a
800S200-54	50	13' 2" e	11' 7" e	9' 5" e	13' 4" i	11' 7" a	9' 0" a	12' 0" e	10' 11" e	9' 5" e	13' 4" i	11' 7" a	9' 0" a
800S250-54	50	13' 8" e	11' 10" e	9' 8" e	13' 8" i	11' 10" a	9' 1" a	12' 6" e	11' 4" e	9' 8" e	13' 8" i	11' 10" a	9' 1" a
800S162-68	50	13' 6" e	12' 3" e	10' 4" e	14' 8" i	12' 8" i	10' 4" i	12' 3" e	11' 2" e	9' 9" e	13' 10" i	12' 6" i	10' 4" i
800S200-68	50	14' 2" e	12' 11" e	11' 0" e	15' 7" i	13' 6" i	11' 0" a	12' 11" e	11' 8" e	10' 3" e	14' 5" i	13' 2" i	11' 0" a
800S250-68	50	14' 9" e	13' 5" e	11' 4" e	16' 0" i	13' 10" i	11' 4" a	13' 5" e	12' 2" e	10' 8" e	15' 1" i	13' 8" i	11' 4" a
800S162-97	50	15' 0" e	13' 8" e	11' 11" e	16' 11" i	15' 4" i	13' 1" i	13' 8" e	12' 5" e	10' 10" e	15' 4" i	13' 11" i	12' 2" i
800S200-97	50	15' 9" e	14' 4" e	12' 6" e	17' 8" i	16' 1" i	13' 11" i	14' 4" e	13' 0" e	11' 4" e	16' 1" i	14' 7" i	12' 9" i
800S250-97	50	16' 6" e	15' 0" e	13' 1" e	18' 6" i	16' 10" i	14' 4" i	15' 0" e	13' 7" e	11' 11" e	16' 10" i	15' 3" i	13' 4" i
800S162-118	50	15' 11" e	14' 5" e	12' 7" e	17' 10" i	16' 3" i	14' 2" i	14' 5" e	13' 2" e	11' 6" e	16' 3" i	14' 9" i	12' 11" i
800S200-118	50	16' 8" e	15' 2" e	13' 3" e	18' 9" i	17' 0" i	14' 11" i	15' 2" e	13' 9" e	12' 0" e	17' 0" i	15' 6" i	13' 6" i
800S250-118	50	17' 6" e	15' 10" e	13' 10" e	19' 7" i	17' 10" i	15' 7" i	15' 10" e	14' 5" e	12' 7" e	17' 10" i	16' 2" i	14' 2" i
1000S162-43	33	10' 4" e	8' 11" e	6' 0" e	8' 6" a	6' 9" a	4' 9" a	10' 4" e	8' 11" e	6' 0" e	8' 6" a	6' 9" a	4' 9" a
1000S200-43	33	11' 2" e	8' 11" e	6' 0" e	8' 10" a	7' 0" a	4' 9" a	11' 2" e	8' 11" e	6' 0" e	8' 10" a	7' 0" a	4' 9" a
1000S250-43	33	11' 6" e	8' 11" e	6' 0" e	8' 11" a	7' 1" a	4' 9" a	11' 6" e	8' 11" e	6' 0" e	8' 11" a	7' 1" a	4' 9" a

See Allowable Floor Joist Span Table Notes on page 72.

# Floor Joist Span Tables



## 15 psf Dead Load and 125 psf Live Load

Member	Fy (ksi)	Live Load Deflection L/360						Live Load Deflection L/480					
		Single Span			Two Equal Spans			Single Span			Two Equal Spans		
		Spacing (in) o.c.			Spacing (in) o.c.			Spacing (in) o.c.			Spacing (in) o.c.		
		12	16	24	12	16	24	12	16	24	12	16	24
1000S162-54	50	13' 10" e	12' 0" e	9' 10" e	13' 7" i	11' 2" a	8' 3" a	13' 6" e	12' 0" e	9' 10" e	13' 7" i	11' 2" a	8' 3" a
1000S200-54	50	14' 11" e	12' 11" e	10' 6" e	14' 3" a	11' 7" a	8' 6" a	14' 2" e	12' 10" e	10' 6" e	14' 3" a	11' 7" a	8' 6" a
1000S250-54	50	15' 4" e	13' 3" e	10' 10" e	14' 6" a	11' 9" a	8' 8" a	14' 11" e	13' 3" e	10' 10" e	14' 6" a	11' 9" a	8' 8" a
1000S162-68	50	16' 1" e	14' 2" e	11' 7" e	16' 5" i	14' 2" i	11' 7" a	14' 8" e	13' 4" e	11' 7" e	16' 5" i	14' 2" i	11' 7" a
1000S200-68	50	16' 10" e	15' 2" e	12' 5" e	17' 6" i	15' 2" i	12' 5" a	15' 4" e	13' 11" e	12' 2" e	17' 2" i	15' 2" i	12' 5" a
1000S250-68	50	17' 8" e	15' 7" e	12' 9" e	18' 0" i	15' 7" i	12' 9" a	16' 0" e	14' 7" e	12' 9" e	18' 0" i	15' 7" i	12' 9" a
1000S162-97	50	18' 1" e	16' 5" e	14' 4" e	20' 4" i	18' 2" i	14' 10" i	16' 5" e	14' 11" e	13' 1" e	18' 6" i	16' 9" i	14' 8" i
1000S200-97	50	18' 11" e	17' 2" e	15' 0" e	21' 3" i	19' 3" i	15' 10" i	17' 2" e	15' 7" e	13' 8" e	19' 3" i	17' 6" i	15' 4" i
1000S250-97	50	19' 8" e	17' 11" e	15' 8" e	22' 1" i	19' 11" i	16' 3" i	17' 11" e	16' 3" e	14' 2" e	20' 1" i	18' 3" i	15' 11" i
1000S162-118	50	19' 2" e	17' 5" e	15' 3" e	21' 6" i	19' 7" i	16' 11" i	17' 5" e	15' 10" e	13' 10" e	19' 7" e	17' 9" e	15' 6" i
1000S200-118	50	20' 1" e	18' 3" e	15' 11" e	22' 6" i	20' 5" i	17' 10" i	18' 3" e	16' 7" e	14' 6" e	20' 5" e	18' 7" e	16' 3" i
1000S250-118	50	20' 11" e	19' 0" e	16' 7" e	23' 5" i	21' 4" i	18' 7" i	19' 0" e	17' 3" e	15' 1" e	21' 4" e	19' 4" i	16' 11" i
1200S162-54	50	14' 11" e	12' 11" e	9' 10" e	13' 2" a	10' 7" a	7' 8" a	14' 11" e	12' 11" e	9' 10" e	13' 2" a	10' 7" a	7' 8" a
1200S200-54	50	16' 2" e	14' 0" e	9' 10" e	13' 8" a	11' 0" a	7' 10" a	16' 2" e	14' 0" e	9' 10" e	13' 8" a	11' 0" a	7' 10" a
1200S250-54	50	16' 8" e	14' 5" e	9' 10" e	13' 10" a	11' 1" a	7' 10" a	16' 8" e	14' 5" e	9' 10" e	13' 10" a	11' 1" a	7' 10" a
1200S162-68	50	17' 9" e	15' 4" e	12' 7" e	17' 9" i	15' 4" i	11' 11" a	16' 11" e	15' 4" e	12' 7" e	17' 9" i	15' 4" i	11' 11" a
1200S200-68	50	19' 1" e	16' 6" e	13' 6" e	19' 1" i	16' 6" a	12' 6" a	17' 7" e	16' 0" e	13' 6" e	19' 1" i	16' 6" a	12' 6" a
1200S250-68	50	19' 9" e	17' 1" e	13' 11" e	19' 9" i	16' 10" a	12' 8" a	18' 4" e	16' 8" e	13' 11" e	19' 9" i	16' 10" a	12' 8" a
1200S162-97	50	21' 1" e	19' 2" e	16' 3" e	23' 0" i	19' 11" i	16' 3" i	19' 2" e	17' 5" e	15' 2" e	21' 6" i	19' 6" i	16' 3" i
1200S200-97	50	21' 11" e	19' 11" e	17' 5" e	24' 7" i	21' 4" i	17' 5" i	19' 11" e	18' 1" e	15' 10" e	22' 4" i	20' 4" i	17' 5" i
1200S250-97	50	22' 9" e	20' 8" e	18' 0" e	25' 5" i	22' 0" i	18' 0" i	20' 8" e	18' 10" e	16' 5" e	23' 3" i	21' 1" i	18' 0" i
1200S162-118	50	22' 5" e	20' 4" e	17' 9" e	25' 2" i	22' 10" i	18' 9" i	20' 4" e	18' 6" e	16' 2" e	22' 10" e	20' 9" i	18' 2" i
1200S200-118	50	23' 4" e	21' 2" e	18' 6" e	26' 2" i	23' 10" i	19' 11" i	21' 2" e	19' 3" e	16' 10" e	23' 10" e	21' 8" i	18' 11" i
1200S250-118	50	24' 3" e	22' 0" e	19' 3" e	27' 3" i	24' 9" i	20' 8" i	22' 0" e	20' 0" e	17' 6" e	24' 9" e	22' 6" i	19' 7" i
1200S300-118	50	25' 0" e	22' 9" e	19' 10" e	28' 1" i	25' 6" i	21' 1" i	22' 9" e	20' 8" e	18' 0" e	25' 6" i	23' 2" i	20' 3" i
1200S350-118	50	26' 4" e	23' 11" e	20' 10" e	29' 6" i	26' 10" i	23' 1" i	23' 11" e	21' 8" e	19' 0" e	26' 10" e	24' 4" i	21' 3" i
1400S200-54	50	16' 10" e	12' 7" e	8' 5" e	12' 11" a	10' 1" a	6' 9" a	16' 10" e	12' 7" e	8' 5" e	12' 11" a	10' 1" a	6' 9" a
1400S250-54	50	16' 10" e	12' 7" e	8' 5" e	13' 1" a	10' 1" a	6' 9" a	16' 10" e	12' 7" e	8' 5" e	13' 1" a	10' 1" a	6' 9" a
1400S300-54	50	16' 10" e	12' 7" e	8' 5" e	13' 2" a	10' 1" a	6' 9" a	16' 10" e	12' 7" e	8' 5" e	13' 2" a	10' 1" a	6' 9" a
1400S350-54	50	16' 10" e	12' 7" e	8' 5" e	13' 5" a	10' 1" a	6' 9" a	16' 10" e	12' 7" e	8' 5" e	13' 5" a	10' 1" a	6' 9" a
1400S200-68	50	20' 4" e	17' 8" e	14' 5" e	19' 9" i	16' 2" a	12' 0" a	19' 10" e	17' 8" e	14' 5" e	19' 9" i	16' 2" a	12' 0" a
1400S250-68	50	21' 2" e	18' 4" e	14' 11" e	20' 3" a	16' 6" a	12' 2" a	20' 8" e	18' 4" e	14' 11" e	20' 3" a	16' 6" a	12' 2" a
1400S300-68	50	21' 8" e	18' 9" e	15' 4" e	20' 6" a	16' 8" a	12' 4" a	21' 2" e	18' 9" e	15' 4" e	20' 6" a	16' 8" a	12' 4" a
1400S350-68	50	24' 2" e	20' 11" e	16' 11" e	21' 10" a	17' 8" a	12' 11" a	22' 9" e	20' 8" e	16' 11" e	21' 10" a	17' 8" a	12' 11" a
1400S200-97	50	24' 10" e	22' 6" e	18' 9" e	26' 6" i	22' 11" i	18' 9" i	22' 6" e	20' 6" e	17' 11" e	25' 4" i	22' 11" i	18' 9" i
1400S250-97	50	25' 9" e	23' 4" e	19' 5" e	27' 5" i	23' 9" i	19' 5" a	23' 4" e	21' 3" e	18' 7" e	26' 3" i	23' 9" i	19' 5" a
1400S300-97	50	26' 6" e	24' 1" e	19' 10" e	28' 1" i	24' 4" i	19' 10" a	24' 1" e	21' 11" e	19' 1" e	27' 0" i	24' 4" i	19' 10" a
1400S350-97	50	28' 0" e	25' 5" e	21' 11" e	31' 0" i	26' 10" i	21' 11" a	25' 5" e	23' 1" e	20' 2" e	28' 6" i	25' 11" i	21' 11" a
1400S200-118	50	26' 7" e	24' 1" e	21' 1" e	29' 10" i	26' 5" i	21' 7" i	24' 1" e	21' 11" e	19' 2" e	27' 1" i	24' 7" i	21' 6" i
1400S250-118	50	27' 6" e	25' 0" e	21' 10" e	30' 11" i	27' 5" i	22' 5" i	25' 0" e	22' 8" e	19' 10" e	28' 1" i	25' 6" i	22' 3" i
1400S300-118	50	28' 5" e	25' 10" e	22' 7" e	31' 11" i	28' 1" i	22' 11" i	25' 10" e	23' 5" e	20' 6" e	29' 0" i	26' 4" i	22' 11" i
1400S350-118	50	29' 9" e	27' 0" e	23' 7" e	33' 5" i	30' 4" i	25' 1" i	27' 0" e	24' 7" e	21' 5" e	30' 4" i	27' 7" i	24' 1" i
1600S200-68	50	21' 5" e	18' 7" e	14' 9" e	19' 3" a	15' 6" a	11' 4" a	21' 5" e	18' 7" e	14' 9" e	19' 3" a	15' 6" a	11' 4" a
1600S250-68	50	22' 4" e	19' 4" e	14' 9" e	19' 8" a	15' 10" a	11' 6" a	22' 4" e	19' 4" e	14' 9" e	19' 8" a	15' 10" a	11' 6" a
1600S300-68	50	22' 11" e	19' 10" e	14' 9" e	19' 11" a	16' 1" a	11' 8" a	22' 11" e	19' 10" e	14' 9" e	19' 11" a	16' 1" a	11' 8" a
1600S350-68	50	25' 9" e	22' 1" e	14' 9" e	21' 1" a	16' 11" a	11' 9" a	24' 8" e	22' 1" e	14' 9" e	21' 1" a	16' 11" a	11' 9" a
1600S200-97	50	27' 7" e	24' 3" e	19' 10" e	28' 0" i	24' 3" i	19' 10" a	25' 1" e	22' 9" e	19' 10" e	28' 0" i	24' 3" i	19' 10" a
1600S250-97	50	28' 7" e	25' 3" e	20' 8" e	29' 2" i	25' 3" i	20' 8" a	25' 11" e	23' 7" e	20' 7" e	29' 2" i	25' 3" i	20' 8" a
1600S300-97	50	29' 5" e	25' 11" e	21' 2" e	29' 11" i	25' 11" i	21' 2" a	26' 9" e	24' 3" e	21' 2" e	29' 11" i	25' 11" i	21' 2" a
1600S350-97	50	30' 10" e	28' 0" e	23' 5" e	33' 2" i	28' 8" a	23' 5" a	28' 0" e	25' 5" e	22' 3" e	31' 5" i	28' 7" a	23' 5" a
1600S200-118	50	29' 7" e	26' 11" e	23' 0" e	32' 6" i	28' 2" i	23' 0" i	26' 11" e	24' 5" e	21' 4" e	30' 2" i	27' 5" i	23' 0" i
1600S250-118	50	30' 7" e	27' 10" e	23' 11" e	33' 10" i	29' 3" i	23' 11" i	27' 10" e	25' 3" e	22' 1" e	31' 3" i	28' 4" i	23' 11" i
1600S300-118	50	31' 7" e	28' 8" e	24' 7" e	34' 9" i	30' 1" i	24' 7" i	28' 8" e	26' 1" e	22' 9" e	32' 2" i	29' 3" i	24' 7" i
1600S350-118	50	33' 0" e	30' 0" e	26' 2" e	37' 0" i	33' 0" i	26' 11" a	30' 0" e	27' 3" e	23' 9" e	33' 8" i	30' 7" i	26' 8" i

See Allowable Floor Joist Span Table Notes on page 72.

# Floor Joist Span Tables



## 40 psf Dead Load and 125 psf Live Load

Member	Fy (ksi)	Live Load Deflection L/360						Live Load Deflection L/480					
		Single Span			Two Equal Spans			Single Span			Two Equal Spans		
		Spacing (in) o.c.			Spacing (in) o.c.			Spacing (in) o.c.			Spacing (in) o.c.		
		12	16	24	12	16	24	12	16	24	12	16	24
600S162-33	33	6' 2" e	5' 4" e	3' 10" e	5' 3" a	4' 3" a	3' 1" a	6' 2" e	5' 4" e	3' 10" e	5' 3" a	4' 3" a	3' 1" a
600S200-33	33	6' 7" e	5' 9" e	3' 10" e	5' 6" a	4' 4" a	3' 1" a	6' 7" e	5' 9" e	3' 10" e	5' 6" a	4' 4" a	3' 1" a
600S162-43	33	7' 5" e	6' 5" e	5' 3" e	7' 5" a	6' 5" a	5' 0" a	7' 5" e	6' 5" e	5' 3" e	7' 5" a	6' 5" a	5' 0" a
600S200-43	33	7' 11" e	6' 10" e	5' 7" e	7' 11" a	6' 10" a	5' 3" a	7' 11" e	6' 10" e	5' 7" e	7' 11" a	6' 10" a	5' 3" a
600S250-43	33	8' 1" e	7' 0" e	5' 9" e	8' 1" a	7' 0" a	5' 4" a	8' 1" e	7' 0" e	5' 9" e	8' 1" a	7' 0" a	5' 4" a
600S162-54	50	9' 11" e	8' 7" e	7' 0" e	9' 11" i	8' 7" i	7' 0" a	9' 11" e	8' 3" e	7' 0" e	9' 11" i	8' 7" i	7' 0" a
600S200-54	50	10' 6" e	9' 1" e	7' 5" e	10' 6" i	9' 1" i	7' 5" a	9' 7" e	8' 8" e	7' 5" e	10' 6" i	9' 1" i	7' 5" a
600S250-54	50	10' 9" e	9' 4" e	7' 7" e	10' 9" i	9' 4" i	7' 7" a	9' 11" e	9' 1" e	7' 7" e	10' 9" i	9' 4" i	7' 7" a
600S162-68	50	10' 9" e	9' 9" e	8' 2" e	11' 6" i	10' 0" i	8' 2" i	9' 9" e	8' 10" e	7' 9" e	10' 11" i	9' 11" i	8' 2" i
600S200-68	50	11' 3" e	10' 3" e	8' 8" e	12' 3" i	10' 7" i	8' 8" i	10' 3" e	9' 4" e	8' 2" e	11' 6" i	10' 5" i	8' 8" i
600S250-68	50	11' 10" e	10' 9" e	8' 11" e	12' 7" i	10' 11" i	8' 11" i	10' 9" e	9' 9" e	8' 6" e	12' 1" i	10' 11" i	8' 11" i
600S162-97	50	11' 11" e	10' 10" e	9' 5" e	13' 4" i	12' 1" i	9' 10" i	10' 10" e	9' 10" e	8' 7" e	12' 1" i	11' 0" i	9' 7" i
600S200-97	50	12' 6" e	11' 4" e	9' 11" e	14' 1" i	12' 9" i	10' 8" i	11' 4" e	10' 4" e	9' 0" e	12' 9" e	11' 7" i	10' 2" i
600S250-97	50	13' 2" e	11' 11" e	10' 5" e	14' 9" i	13' 5" i	11' 2" i	11' 11" e	10' 10" e	9' 6" e	13' 5" e	12' 2" i	10' 8" i
600S162-118	50	12' 7" e	11' 5" e	10' 0" e	14' 1" e	12' 10" i	10' 8" i	11' 5" e	10' 4" e	9' 1" e	12' 10" i	11' 8" e	10' 2" i
600S200-118	50	13' 3" e	12' 0" e	10' 6" e	14' 10" i	13' 6" i	11' 7" i	12' 0" e	10' 11" e	9' 7" e	13' 6" e	12' 3" i	10' 9" i
600S250-118	50	13' 11" e	12' 8" e	11' 1" e	15' 8" i	14' 2" i	12' 5" i	12' 8" e	11' 6" e	10' 0" e	14' 2" e	12' 11" e	11' 3" i
800S162-33	33	5' 9" e	4' 4" e	2' 10" e	4' 7" a	3' 5" a	2' 4" a	5' 9" e	4' 4" e	2' 10" e	4' 7" a	3' 5" a	2' 4" a
800S200-33	33	5' 9" e	4' 4" e	2' 10" e	4' 7" a	3' 5" a	2' 4" a	5' 9" e	4' 4" e	2' 10" e	4' 7" a	3' 5" a	2' 4" a
800S162-43	33	8' 7" e	7' 5" e	6' 1" e	8' 0" a	6' 5" a	4' 9" a	8' 7" e	7' 5" e	6' 1" e	8' 0" a	6' 5" a	4' 9" a
800S200-43	33	9' 3" e	8' 0" e	6' 4" e	8' 3" a	6' 8" a	4' 11" a	9' 3" e	8' 0" e	6' 4" e	8' 3" a	6' 8" a	4' 11" a
800S250-43	33	9' 5" e	8' 2" e	6' 4" e	8' 5" a	6' 9" a	4' 11" a	9' 5" e	8' 2" e	6' 4" e	8' 5" a	6' 9" a	4' 11" a
800S162-54	50	11' 6" e	10' 0" e	8' 2" e	11' 6" i	10' 0" a	7' 8" a	11' 4" e	10' 0" e	8' 2" e	11' 6" i	10' 0" a	7' 8" a
800S200-54	50	12' 3" e	10' 8" e	8' 8" e	12' 3" i	10' 8" a	8' 0" a	12' 0" e	10' 8" e	8' 8" e	12' 3" i	10' 8" a	8' 0" a
800S250-54	50	12' 7" e	10' 11" e	8' 11" e	12' 7" a	10' 9" a	8' 1" a	12' 6" e	10' 11" e	8' 11" e	12' 7" a	10' 9" a	8' 1" a
800S162-68	50	13' 6" e	11' 8" e	9' 7" e	13' 6" i	11' 8" i	9' 7" a	12' 3" e	11' 2" e	9' 7" e	13' 6" i	11' 8" i	9' 7" a
800S200-68	50	14' 2" e	12' 5" e	10' 2" e	14' 4" i	12' 5" i	10' 2" a	12' 11" e	11' 8" e	10' 2" e	14' 4" i	12' 5" i	10' 2" a
800S250-68	50	14' 9" e	12' 9" e	10' 5" e	14' 9" i	12' 9" i	10' 5" a	13' 5" e	12' 2" e	10' 5" e	14' 9" i	12' 9" i	10' 5" a
800S162-97	50	15' 0" e	13' 8" e	11' 11" e	16' 11" i	14' 9" i	12' 1" i	13' 8" e	12' 5" e	10' 10" e	15' 4" i	13' 11" i	12' 1" i
800S200-97	50	15' 9" e	14' 4" e	12' 6" e	17' 8" i	15' 8" i	12' 10" i	14' 4" e	13' 0" e	11' 4" e	16' 1" i	14' 7" i	12' 9" i
800S250-97	50	16' 6" e	15' 0" e	13' 1" e	18' 6" i	16' 2" i	13' 2" i	15' 0" e	13' 7" e	11' 11" e	16' 10" i	15' 3" i	13' 2" i
800S162-118	50	15' 11" e	14' 5" e	12' 7" e	17' 10" i	16' 2" i	13' 2" i	14' 5" e	13' 2" e	11' 6" e	16' 3" e	14' 9" i	12' 11" i
800S200-118	50	16' 8" e	15' 2" e	13' 3" e	18' 9" i	17' 0" i	14' 2" i	15' 2" e	13' 9" e	12' 0" e	17' 0" i	15' 6" i	13' 6" i
800S250-118	50	17' 6" e	15' 10" e	13' 10" e	19' 7" i	17' 10" i	15' 0" i	15' 10" e	14' 5" e	12' 7" e	17' 10" i	16' 2" i	14' 2" i
1000S162-43	33	9' 6" e	7' 7" e	5' 1" e	7' 6" a	5' 11" a	4' 1" a	9' 6" e	7' 7" e	5' 1" e	7' 6" a	5' 11" a	4' 1" a
1000S200-43	33	10' 2" e	7' 7" e	5' 1" e	7' 9" a	6' 1" a	4' 1" a	10' 2" e	7' 7" e	5' 1" e	7' 9" a	6' 1" a	4' 1" a
1000S250-43	33	10' 2" e	7' 7" e	5' 1" e	7' 10" a	6' 1" a	4' 1" a	10' 2" e	7' 7" e	5' 1" e	7' 10" a	6' 1" a	4' 1" a
1000S162-54	50	12' 9" e	11' 1" e	9' 0" e	12' 2" a	9' 11" a	7' 4" a	12' 9" e	11' 1" e	9' 0" e	12' 2" a	9' 11" a	7' 4" a
1000S200-54	50	13' 9" e	11' 11" e	9' 8" e	12' 8" a	10' 3" a	7' 6" a	13' 9" e	11' 11" e	9' 8" e	12' 8" a	10' 3" a	7' 6" a
1000S250-54	50	14' 1" e	12' 3" e	10' 0" e	12' 10" a	10' 5" a	7' 7" a	14' 1" e	12' 3" e	10' 0" e	12' 10" a	10' 5" a	7' 7" a
1000S162-68	50	15' 1" e	13' 1" e	10' 8" e	15' 1" i	13' 1" i	10' 8" a	14' 8" e	13' 1" e	10' 8" e	15' 1" i	13' 1" i	10' 8" a
1000S200-68	50	16' 2" e	14' 0" e	11' 5" e	16' 2" i	14' 0" a	11' 5" a	15' 4" e	13' 11" e	11' 5" e	16' 2" i	14' 0" a	11' 5" a
1000S250-68	50	16' 7" e	14' 4" e	11' 9" e	16' 7" i	14' 4" a	11' 7" a	16' 0" e	14' 4" e	11' 9" e	16' 7" i	14' 4" a	11' 7" a
1000S162-97	50	18' 1" e	16' 5" e	13' 8" e	19' 4" i	16' 9" i	13' 8" i	16' 5" e	14' 11" e	13' 1" e	18' 6" i	16' 9" i	13' 8" i
1000S200-97	50	18' 11" e	17' 2" e	14' 7" e	20' 7" i	17' 10" i	14' 7" i	17' 2" e	15' 7" e	13' 8" e	19' 3" i	17' 6" i	14' 7" i
1000S250-97	50	19' 8" e	17' 11" e	15' 0" e	21' 2" i	18' 4" i	15' 0" i	17' 11" e	16' 3" e	14' 2" e	20' 1" i	18' 3" i	15' 0" i
1000S162-118	50	19' 2" e	17' 5" e	15' 3" e	21' 6" i	19' 1" i	15' 7" i	17' 5" e	15' 10" e	13' 10" e	19' 7" i	17' 9" i	15' 6" i
1000S200-118	50	20' 1" e	18' 3" e	15' 11" e	22' 6" i	20' 3" i	16' 7" i	18' 3" e	16' 7" e	14' 6" e	20' 5" i	18' 7" i	16' 3" i
1000S250-118	50	20' 11" e	19' 0" e	16' 7" e	23' 5" i	21' 0" i	17' 2" i	19' 0" e	17' 3" e	15' 1" e	21' 4" i	19' 4" i	16' 11" i
1200S162-54	50	13' 9" e	11' 11" e	8' 4" e	11' 7" a	9' 4" a	6' 8" a	13' 9" e	11' 11" e	8' 4" e	11' 7" a	9' 4" a	6' 8" a
1200S200-54	50	14' 11" e	12' 6" e	8' 4" e	12' 1" a	9' 8" a	6' 8" a	14' 11" e	12' 6" e	8' 4" e	12' 1" a	9' 8" a	6' 8" a
1200S250-54	50	15' 4" e	12' 6" e	8' 4" e	12' 3" a	9' 9" a	6' 8" a	15' 4" e	12' 6" e	8' 4" e	12' 3" a	9' 9" a	6' 8" a
1200S162-68	50	16' 4" e	14' 2" e	11' 7" e	16' 4" i	14' 1" a	10' 7" a	16' 4" e	14' 2" e	11' 7" e	16' 4" i	14' 1" a	10' 7" a
1200S200-68	50	17' 7" e	15' 3" e	12' 5" e	17' 7" i	14' 9" a	11' 1" a	17' 7" e	15' 3" e	12' 5" e	17' 7" i	14' 9" a	11' 1" a
1200S250-68	50	18' 2" e	15' 9" e	12' 10" e	18' 2" a	15' 1" a	11' 3" a	18' 2" e	15' 9" e	12' 10" e	18' 2" a	15' 1" a	11' 3" a
1200S162-97	50	21' 1" e	18' 4" e	15' 0" e	21' 3" i	18' 4" i	15' 0" i	19' 2" e	17' 5" e	15' 0" e	21' 3" i	18' 4" i	15' 0" i
1200S200-97	50	21' 11" e	19' 7" e	16' 0" e	22' 8" i	19' 7" i	16' 0" i	19' 11" e	18' 1" e	15' 10" e	22' 4" i	19' 7" i	16' 0" i
1200S250-97	50	22' 9" e	20' 3" e	16' 7" e	23' 5" i	20' 3" i	16' 7" i	20' 8" e	18' 10" e	16' 5" e	23' 3" i	20' 3" i	16' 7" i

See Allowable Floor Joist Span Table Notes on page 72.

# Floor Joist Span Tables



## 40 psf Dead Load and 125 psf Live Load

Member	F <sub>y</sub> (ksi)	Live Load Deflection L/360						Live Load Deflection L/480					
		Single Span			Two Equal Spans			Single Span			Two Equal Spans		
		Spacing (in) o.c.			Spacing (in) o.c.			Spacing (in) o.c.			Spacing (in) o.c.		
		12	16	24	12	16	24	12	16	24	12	16	24
1200S162-118	50	22' 5"	20' 4"	17' 3"	24' 5" i	21' 2" i	17' 3" i	20' 4"	18' 6"	16' 2"	22' 10" i	20' 9" i	17' 3" i
1200S200-118	50	23' 4"	21' 2"	18' 4"	26' 0" i	22' 6" i	18' 4" i	21' 2"	19' 3"	16' 10"	23' 10" i	21' 8" i	18' 4" i
1200S250-118	50	24' 3"	22' 0"	19' 0"	26' 10" i	23' 3" i	19' 0" i	22' 0"	20' 0"	17' 6"	24' 9" i	22' 6" i	19' 0" i
1200S300-118	50	25' 0"	22' 9"	19' 5"	27' 6" i	23' 10" i	19' 5" i	22' 9"	20' 8"	18' 0"	25' 6" i	23' 2" i	19' 5" i
1200S350-118	50	26' 4"	23' 11"	20' 10" e	29' 6" i	26' 0" i	21' 3" i	23' 11"	21' 8"	19' 0"	26' 10" i	24' 4" i	21' 3" i
1400S200-54	50	14' 3" e	10' 8" e	7' 2" e	11' 3" a	8' 7" a	5' 8" a	14' 3" e	10' 8" e	7' 2" e	11' 3" a	8' 7" a	5' 8" a
1400S250-54	50	14' 3" e	10' 8" e	7' 2" e	11' 5" a	8' 7" a	5' 8" a	14' 3" e	10' 8" e	7' 2" e	11' 5" a	8' 7" a	5' 8" a
1400S300-54	50	14' 3" e	10' 8" e	7' 2" e	11' 5" a	8' 7" a	5' 8" a	14' 3" e	10' 8" e	7' 2" e	11' 5" a	8' 7" a	5' 8" a
1400S350-54	50	14' 3" e	10' 8" e	7' 2" e	11' 5" a	8' 7" a	5' 8" a	14' 3" e	10' 8" e	7' 2" e	11' 5" a	8' 7" a	5' 8" a
1400S200-68	50	18' 9" e	16' 3" e	13' 3" e	17' 8" a	14' 4" a	10' 7" a	18' 9" e	16' 3" e	13' 3" e	17' 8" a	14' 4" a	10' 7" a
1400S250-68	50	19' 6" e	16' 10" e	13' 9" e	18' 0" a	14' 7" a	10' 9" a	19' 6" e	16' 10" e	13' 9" e	18' 0" a	14' 7" a	10' 9" a
1400S300-68	50	19' 11" e	17' 3" e	14' 1" e	18' 3" a	14' 9" a	10' 10" a	19' 11" e	17' 3" e	14' 1" e	18' 3" a	14' 9" a	10' 10" a
1400S350-68	50	22' 3" e	19' 3" e	14' 4" e	19' 4" a	15' 7" a	11' 4" a	22' 3" e	19' 3" e	14' 4" e	19' 4" a	15' 7" a	11' 4" a
1400S200-97	50	24' 5"	21' 1" e	17' 3" e	24' 5" i	21' 1" i	17' 3" a	22' 6"	20' 6"	17' 3" e	24' 5" i	21' 1" i	17' 3" a
1400S250-97	50	25' 3"	21' 11" e	17' 10" e	25' 3" i	21' 11" i	17' 10" a	23' 4"	21' 3" e	17' 10" e	25' 3" i	21' 11" i	17' 10" a
1400S300-97	50	25' 10"	22' 5" e	18' 3" e	25' 10" i	22' 5" i	18' 3" a	24' 1"	21' 11" e	18' 3" e	25' 10" i	22' 5" i	18' 3" a
1400S350-97	50	28' 0" e	24' 8" e	20' 2" e	28' 6" i	24' 8" i	20' 2" a	25' 5"	23' 1" e	20' 2" e	28' 6" i	24' 8" i	20' 2" a
1400S200-118	50	26' 7"	24' 1"	19' 11"	28' 1" i	24' 4" i	19' 11" i	24' 1"	21' 11"	19' 2"	27' 1" i	24' 4" i	19' 11" i
1400S250-118	50	27' 6"	25' 0"	20' 7" e	29' 2" i	25' 3" i	20' 7" i	25' 0"	22' 8"	19' 10"	28' 1" i	25' 3" i	20' 7" i
1400S300-118	50	28' 5"	25' 10"	21' 2" e	29' 11" i	25' 10" i	21' 2" i	25' 10"	23' 5"	20' 6" e	29' 0" i	25' 10" i	21' 2" i
1400S350-118	50	29' 9"	27' 0"	23' 1" e	32' 8" i	28' 4" i	23' 1" i	27' 0"	24' 7"	21' 5" e	30' 4" i	27' 7" i	23' 1" i
1600S200-68	50	19' 9" e	17' 1" e	12' 6" e	17' 0" a	13' 8" a	9' 11" a	19' 9" e	17' 1" e	12' 6" e	17' 0" a	13' 8" a	9' 11" a
1600S250-68	50	20' 7" e	17' 10" e	12' 6" e	17' 4" a	13' 11" a	10' 0" a	20' 7" e	17' 10" e	12' 6" e	17' 4" a	13' 11" a	10' 0" a
1600S300-68	50	21' 2" e	18' 4" e	12' 6" e	17' 7" a	14' 1" a	10' 0" a	21' 2" e	18' 4" e	12' 6" e	17' 7" a	14' 1" a	10' 0" a
1600S350-68	50	23' 8" e	18' 9" e	12' 6" e	18' 7" a	14' 9" a	10' 0" a	23' 8" e	18' 9" e	12' 6" e	18' 7" a	14' 9" a	10' 0" a
1600S200-97	50	25' 10"	22' 4" e	18' 3" e	25' 10" i	22' 4" i	18' 3" a	25' 1"	22' 4" e	18' 3" e	25' 10" i	22' 4" i	18' 3" a
1600S250-97	50	26' 10"	23' 3" e	19' 0" e	26' 10" i	23' 3" i	19' 0" a	25' 11"	23' 3" e	19' 0" e	26' 10" i	23' 3" i	19' 0" a
1600S300-97	50	27' 7" e	23' 11" e	19' 6" e	27' 7" i	23' 11" i	19' 6" a	26' 9"	23' 11" e	19' 6" e	27' 7" i	23' 11" i	19' 6" a
1600S350-97	50	30' 6" e	26' 5" e	21' 7" e	30' 6" i	26' 5" a	21' 2" a	28' 0" e	25' 5" e	21' 7" e	30' 6" i	26' 5" a	21' 2" a
1600S200-118	50	29' 7"	25' 11"	21' 2" e	29' 11" i	25' 11" i	21' 2" i	26' 11"	24' 5"	21' 2" e	29' 11" i	25' 11" i	21' 2" i
1600S250-118	50	30' 7"	27' 0"	22' 0" e	31' 2" i	27' 0" i	22' 0" i	27' 10"	25' 3"	22' 0" e	31' 2" i	27' 0" i	22' 0" i
1600S300-118	50	31' 7"	27' 9"	22' 8" e	32' 0" i	27' 9" i	22' 8" i	28' 8"	26' 1"	22' 8" e	32' 0" i	27' 9" i	22' 8" i
1600S350-118	50	33' 0"	30' 0" e	24' 10" e	35' 1" i	30' 5" i	24' 10" a	30' 0"	27' 3"	23' 9" e	33' 8" i	30' 5" i	24' 10" a

See Allowable Floor Joist Span Table Notes on page 72.

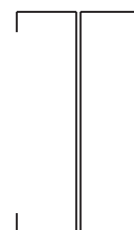


## Header Load Table Notes

1. Calculated properties are based upon AISI S100-07, North American Specification for the Design of Cold-Formed Steel Structural Members.
2. Allowable deflection limit is  $L/360$ .
3. Allowable capacities have not been modified for wind or earthquake loading.
4. Headers are made from two "boxed" or back-to-back "I" members.
5. Allowable moment, shear and web crippling capacities are based upon twice the capacity of a single member. The moment of inertia is based upon twice the value of the single member.
6. Minimum bearing length for web crippling = 1-inch.
7. Capacities are calculated for unpunched members only.
8. Members are assumed to be adequately braced for bending.
9. Allowable loads are for simply supported headers with uniform bending loads only.
10. Where allowable loads are followed by "e", web stiffeners are required at each support



Boxed Header



Back-to-Back "I" Header

# Header Load Tables

## Header Allowable Uniform Loads (lb/ft)

Member	Yield, F <sub>y</sub> , ksi	SPAN						
		3 (ft)	4 (ft)	5 (ft)	6 (ft)	8 (ft)	10 (ft)	12 (ft)
550S162-33	33	931 e	699 e	460 e	320 e	180 e	115 e	74 e
550S162-43	33	1824 e	1026 e	657 e	456 e	257 e	164 e	95 e
550S162-54	33	2435 e	1370 e	877 e	609 e	342 e	203 e	118
550S162-54	50	3259 e	1833 e	1173 e	815 e	397 e	203	118
550S162-68	33	3046 e	1713 e	1097 e	762 e	428 e	250 e	145
550S162-68	50	4384 e	2466 e	1578 e	1096 e	489 e	250	145
600S137-33	33	851 e	638 e	437 e	303 e	171 e	109 e	76 e
600S162-33	33	851 e	638 e	505 e	351 e	197 e	126 e	88 e
600S200-33	33	851 e	638 e	510 e	399 e	224 e	144 e	100 e
600S137-43	33	1752 e	985 e	631 e	438 e	246 e	158 e	103 e
600S162-43	33	1888 e	1130 e	723 e	502 e	283 e	181 e	117 e
600S200-43	33	1888 e	1283 e	821 e	570 e	321 e	205 e	136 e
600S250-43	33	1888 e	1351 e	865 e	600 e	338 e	216 e	150 e
600S137-54	33	2364 e	1330 e	851 e	591 e	332 e	213 e	127
600S137-54	50	3148 e	1771 e	1133 e	787 e	430 e	220	127
600S162-54	33	2695 e	1516 e	970 e	674 e	379 e	243 e	145 e
600S162-54	50	3012 e	1694 e	1084 e	753 e	424 e	250 e	145
600S200-54	33	3058 e	1720 e	1101 e	764 e	430 e	275 e	168 e
600S200-54	50	3764 e	2283 e	1461 e	1015 e	567 e	290 e	168
600S250-54	33	3245 e	1825 e	1168 e	811 e	456 e	292 e	193 e
600S250-54	50	3764 e	2394 e	1532 e	1064 e	598 e	329 e	190
600S137-68	33	3020 e	1699 e	1087 e	755 e	425 e	270 e	157
600S137-68	50	4283 e	2409 e	1542 e	1071 e	528 e	270	157
600S162-68	33	3440 e	1935 e	1238 e	860 e	484 e	308 e	178
600S162-68	50	4854 e	2730 e	1747 e	1213 e	602 e	308	178
600S200-68	33	4002 e	2251 e	1441 e	1000 e	563 e	358 e	207 e
600S200-68	50	5482 e	3084 e	1974 e	1371 e	700 e	358	207
600S250-68	33	4362 e	2453 e	1570 e	1090 e	613 e	393 e	239 e
600S250-68	50	5790 e	3257 e	2085 e	1448 e	806 e	413 e	239
600S137-97	33	4088 e	2299 e	1472 e	1022 e	575	366	212
600S137-97	50	6193 e	3484 e	2230 e	1548 e	715	366	212
600S162-97	33	4682 e	2634 e	1686 e	1171 e	658 e	419	243
600S162-97	50	7094 e	3990 e	2554 e	1774 e	819	419	243
600S200-97	33	5477 e	3081 e	1972 e	1369 e	770 e	491 e	284
600S200-97	50	8298 e	4668 e	2987 e	2075 e	958 e	491	284
600S250-97	33	6340 e	3566 e	2282 e	1585 e	892 e	568 e	329
600S250-97	50	9125 e	5133 e	3285 e	2281 e	1109 e	568	329
600S162-118	33	5517 e	3103 e	1986 e	1379 e	776	494	286
600S162-118	50	8359 e	4702 e	3009 e	2090 e	965	494	286
600S200-118	33	6482 e	3646 e	2334 e	1620 e	912 e	581	336
600S200-118	50	9821 e	5524 e	3536 e	2455 e	1134	581	336
600S250-118	33	7528 e	4235 e	2710 e	1882 e	1059 e	674 e	390
600S250-118	50	11319 e	6367 e	4075 e	2830 e	1317 e	674	390

See Header Load Table Notes on page 84.

# Header Load Tables



## Header Allowable Uniform Loads (lb/ft)

Member	Yield, F <sub>y</sub> , ksi	SPAN						
		3 (ft)	4 (ft)	5 (ft)	6 (ft)	8 (ft)	10 (ft)	12 (ft)
800S137-33	33	632 e	474 e	379 e	316 e	223 e	143 e	99 e
800S162-33	33	632 e	474 e	379 e	316 e	237 e	168 e	117 e
800S200-33	33	632 e	474 e	379 e	316 e	237 e	190 e	135 e
800S137-43	33	1402 e	1051 e	841 e	585 e	329 e	210 e	146 e
800S162-43	33	1402 e	1051 e	841 e	679 e	382 e	244 e	170 e
800S200-43	33	1402 e	1051 e	841 e	701 e	437 e	280 e	194 e
800S250-43	33	1402 e	1051 e	841 e	701 e	460 e	294 e	204 e
800S137-54	33	2788 e	1813 e	1160 e	806 e	453 e	290 e	201 e
800S137-54	50	2788 e	2091 e	1519 e	1055 e	593 e	380 e	252 e
800S162-54	33	2788 e	2083 e	1333 e	926 e	521 e	333 e	231 e
800S162-54	50	2788 e	2091 e	1673 e	1216 e	684 e	438 e	283 e
800S200-54	33	2788 e	2091 e	1519 e	1055 e	593 e	380 e	264 e
800S200-54	50	2788 e	2091 e	1673 e	1385 e	779 e	498 e	332 e
800S250-54	33	2788 e	2091 e	1604 e	1114 e	627 e	401 e	278 e
800S250-54	50	2788 e	2091 e	1673 e	1394 e	816 e	522 e	362 e
800S137-68	33	4410 e	2481 e	1588 e	1103 e	620 e	397 e	276 e
800S137-68	50	5628 e	3300 e	2112 e	1467 e	825 e	528 e	318 e
800S162-68	33	5016 e	2821 e	1806 e	1254 e	705 e	451 e	313 e
800S162-68	50	5628 e	3761 e	2407 e	1672 e	940 e	602 e	358 e
800S200-68	33	5628 e	3204 e	2050 e	1424 e	801 e	513 e	356 e
800S200-68	50	5628 e	4221 e	2728 e	1894 e	1065 e	682 e	412 e
800S250-68	33	5628 e	3406 e	2180 e	1514 e	851 e	545 e	378 e
800S250-68	50	5628 e	4221 e	2868 e	1992 e	1120 e	717 e	467 e
800S137-97	33	6293 e	3540 e	2265 e	1573 e	885 e	566 e	393 e
800S137-97	50	9474 e	5329 e	3411 e	2369 e	1332 e	752 e	435 e
800S162-97	33	7109 e	3999 e	2559 e	1777 e	1000 e	640 e	444 e
800S162-97	50	10663 e	5998 e	3839 e	2666 e	1500 e	849 e	491 e
800S200-97	33	8200 e	4613 e	2952 e	2050 e	1153 e	738 e	513 e
800S200-97	50	12029 e	6766 e	4330 e	3007 e	1692 e	979 e	567 e
800S250-97	33	9361 e	5265 e	3370 e	2340 e	1316 e	842 e	585 e
800S250-97	50	12793 e	7196 e	4606 e	3198 e	1799 e	1118 e	647 e
800S162-118	33	8421 e	4737 e	3031 e	2105 e	1184 e	758 e	526 e
800S162-118	50	12758 e	7177 e	4593 e	3190 e	1794 e	1006 e	582 e
800S200-118	33	9746 e	5482 e	3509 e	2437 e	1371 e	877 e	609 e
800S200-118	50	14767 e	8307 e	5316 e	3692 e	2077 e	1164 e	674 e
800S250-118	33	11156 e	6275 e	4016 e	2789 e	1569 e	1004 e	697 e
800S250-118	50	16495 e	9279 e	5938 e	4124 e	2320 e	1332 e	771 e
1000S137-43	33	1115 e	836 e	669 e	557 e	398 e	255 e	177 e
1000S162-43	33	1115 e	836 e	669 e	557 e	418 e	300 e	208 e
1000S200-43	33	1115 e	836 e	669 e	557 e	418 e	334 e	242 e
1000S250-43	33	1115 e	836 e	669 e	557 e	418 e	334 e	256 e
1000S137-54	33	2214 e	1661 e	1329 e	992 e	558 e	357 e	248 e
1000S137-54	50	2214 e	1661 e	1329 e	1107 e	722 e	462 e	321 e
1000S162-54	33	2214 e	1661 e	1329 e	1107 e	648 e	415 e	288 e
1000S162-54	50	2214 e	1661 e	1329 e	1107 e	830 e	539 e	374 e
1000S200-54	33	2214 e	1661 e	1329 e	1107 e	748 e	478 e	332 e
1000S200-54	50	2214 e	1661 e	1329 e	1107 e	830 e	622 e	432 e
1000S250-54	33	2214 e	1661 e	1329 e	1107 e	793 e	507 e	352 e
1000S250-54	50	2214 e	1661 e	1329 e	1107 e	830 e	656 e	455 e
1000S137-68	33	4460 e	3121 e	1997 e	1387 e	780 e	499 e	347 e
1000S137-68	50	4460 e	3345 e	2613 e	1815 e	1021 e	653 e	454 e
1000S162-68	33	4460 e	3345 e	2290 e	1590 e	894 e	572 e	398 e
1000S162-68	50	4460 e	3345 e	2676 e	2088 e	1175 e	752 e	522 e
1000S200-68	33	4460 e	3345 e	2618 e	1818 e	1023 e	655 e	455 e
1000S200-68	50	4460 e	3345 e	2676 e	2230 e	1344 e	860 e	598 e
1000S250-68	33	4460 e	3345 e	2676 e	1934 e	1088 e	696 e	483 e
1000S250-68	50	4460 e	3345 e	2676 e	2230 e	1420 e	909 e	631 e
1000S137-97	33	8896 e	5004 e	3202 e	2224 e	1251 e	801 e	556 e
1000S137-97	50	12126 e	6821 e	4365 e	3032 e	1705 e	1091 e	758 e
1000S162-97	33	9935 e	5588 e	3576 e	2484 e	1397 e	894 e	621 e
1000S162-97	50	13151 e	7718 e	4939 e	3430 e	1929 e	1235 e	858 e
1000S200-97	33	11322 e	6368 e	4076 e	2830 e	1592 e	1019 e	708 e
1000S200-97	50	13151 e	8732 e	5589 e	3881 e	2183 e	1397 e	970 e
1000S250-97	33	11791 e	6957 e	4453 e	3092 e	1739 e	1113 e	773 e
1000S250-97	50	13151 e	9276 e	5937 e	4123 e	2319 e	1484 e	1031 e

See Header Load Table Notes on page 84.

# Header Load Tables

## Header Allowable Uniform Loads (lb/ft)

Member	Yield, F <sub>y</sub> , ksi	SPAN						
		3 (ft)	4 (ft)	5 (ft)	6 (ft)	8 (ft)	10 (ft)	12 (ft)
1000S162-118	33	11810 e	6643 e	4252 e	2952 e	1661 e	1063 e	738 e
1000S162-118	50	17839 e	10034 e	6422 e	4460 e	2509 e	1606 e	1020 e
1000S200-118	33	13498 e	7593 e	4859 e	3374 e	1898 e	1215 e	844 e
1000S200-118	50	20122 e	11318 e	7244 e	5030 e	2830 e	1811 e	1166 e
1000S250-118	33	15271 e	8590 e	5498 e	3818 e	2147 e	1374 e	954 e
1000S250-118	50	21517 e	12103 e	7746 e	5379 e	3026 e	1937 e	1319 e
1200S137-54	33	1836 e	1377 e	1102 e	918 e	647 e	414 e	288 e
1200S137-54	50	1836 e	1377 e	1102 e	918 e	689 e	530 e	368 e
1200S162-54	33	1836 e	1377 e	1102 e	918 e	689 e	485 e	337 e
1200S162-54	50	1836 e	1377 e	1102 e	918 e	689 e	551 e	433 e
1200S200-54	33	1836 e	1377 e	1102 e	918 e	689 e	551 e	393 e
1200S200-54	50	1836 e	1377 e	1102 e	918 e	689 e	551 e	459 e
1200S250-54	33	1836 e	1377 e	1102 e	918 e	689 e	551 e	421 e
1200S250-54	50	1836 e	1377 e	1102 e	918 e	689 e	551 e	459 e
1200S137-68	33	3694 e	2771 e	2217 e	1634 e	919 e	588 e	409 e
1200S137-68	50	3694 e	2771 e	2217 e	1847 e	1188 e	760 e	528 e
1200S162-68	33	3694 e	2771 e	2217 e	1847 e	1062 e	680 e	472 e
1200S162-68	50	3694 e	2771 e	2217 e	1847 e	1379 e	882 e	613 e
1200S200-68	33	3694 e	2771 e	2217 e	1847 e	1226 e	785 e	545 e
1200S200-68	50	3694 e	2771 e	2217 e	1847 e	1385 e	1021 e	709 e
1200S250-68	33	3694 e	2771 e	2217 e	1847 e	1312 e	840 e	583 e
1200S250-68	50	3694 e	2771 e	2217 e	1847 e	1385 e	1088 e	756 e
1200S137-97	33	10863 e	6166 e	3946 e	2740 e	1541 e	987 e	685 e
1200S137-97	50	10863 e	8147 e	5216 e	3622 e	2038 e	1304 e	906 e
1200S162-97	33	10863 e	6993 e	4475 e	3108 e	1748 e	1119 e	777 e
1200S162-97	50	10863 e	8147 e	5940 e	4125 e	2320 e	1485 e	1031 e
1200S200-97	33	10863 e	7957 e	5093 e	3537 e	1989 e	1273 e	884 e
1200S200-97	50	10863 e	8147 e	6518 e	4702 e	2645 e	1693 e	1175 e
1200S250-97	33	10863 e	8147 e	5471 e	3799 e	2137 e	1368 e	950 e
1200S250-97	50	10863 e	8147 e	6518 e	5017 e	2822 e	1806 e	1254 e
1200S162-118	33	15685 e	8823 e	5646 e	3921 e	2206 e	1412 e	980 e
1200S162-118	50	19981 e	12278 e	7858 e	5457 e	3069 e	1964 e	1364 e
1200S200-118	33	17585 e	9976 e	6385 e	4434 e	2494 e	1596 e	1108 e
1200S200-118	50	19981 e	13909 e	8902 e	6182 e	3477 e	2225 e	1545 e
1200S250-118	33	17585 e	11105 e	7107 e	4935 e	2776 e	1777 e	1234 e
1200S250-118	50	19981 e	14889 e	9529 e	6618 e	3722 e	2382 e	1654 e
1200S300-118	33	17585 e	11724 e	7504 e	5211 e	2931 e	1876 e	1303 e
1200S300-118	50	19981 e	14986 e	9964 e	6920 e	3892 e	2491 e	1730 e
1200S350-118	33	17585 e	13189 e	8916 e	6191 e	3483 e	2229 e	1548 e
1200S350-118	50	19981 e	14986 e	11909 e	8270 e	4652 e	2977 e	2067 e
1400S200-54	33	1569 e	1177 e	941 e	784 e	588 e	471 e	392 e
1400S200-54	50	1569 e	1177 e	941 e	784 e	588 e	471 e	392 e
1400S250-54	33	1569 e	1177 e	941 e	784 e	588 e	471 e	392 e
1400S250-54	50	1569 e	1177 e	941 e	784 e	588 e	471 e	392 e
1400S300-54	33	1569 e	1177 e	941 e	784 e	588 e	471 e	392 e
1400S300-54	50	1569 e	1177 e	941 e	784 e	588 e	471 e	392 e
1400S350-54	33	1569 e	1177 e	941 e	784 e	588 e	471 e	392 e
1400S350-54	50	1569 e	1177 e	941 e	784 e	588 e	471 e	392 e
1400S200-68	33	3153 e	2365 e	1892 e	1576 e	1182 e	901 e	625 e
1400S200-68	50	3153 e	2365 e	1892 e	1576 e	1182 e	946 e	788 e
1400S250-68	33	3153 e	2365 e	1892 e	1576 e	1182 e	946 e	675 e
1400S250-68	50	3153 e	2365 e	1892 e	1576 e	1182 e	946 e	788 e
1400S300-68	33	3153 e	2365 e	1892 e	1576 e	1182 e	946 e	709 e
1400S300-68	50	3153 e	2365 e	1892 e	1576 e	1182 e	946 e	788 e
1400S350-68	33	3153 e	2365 e	1892 e	1576 e	1182 e	946 e	788 e
1400S350-68	50	3153 e	2365 e	1892 e	1576 e	1182 e	946 e	788 e
1400S200-97	33	9252 e	6939 e	5551 e	4146 e	2332 e	1493 e	1036 e
1400S200-97	50	9252 e	6939 e	5551 e	4626 e	3064 e	1961 e	1362 e
1400S250-97	33	9252 e	6939 e	5551 e	4471 e	2515 e	1610 e	1118 e
1400S250-97	50	9252 e	6939 e	5551 e	4626 e	3292 e	2107 e	1463 e
1400S300-97	33	9252 e	6939 e	5551 e	4626 e	2647 e	1694 e	1177 e

See Header Load Table Notes on page 84.

## Header Allowable Uniform Loads (lb/ft)

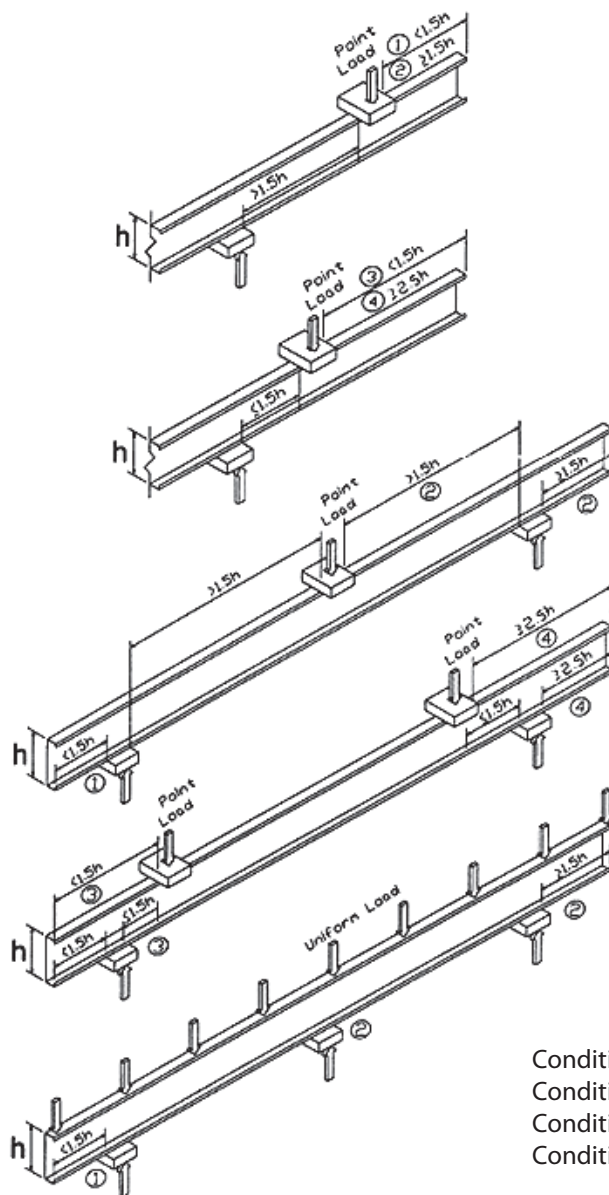
Member	Yield, F <sub>y</sub> , ksi	SPAN						
		3 (ft)	4 (ft)	5 (ft)	6 (ft)	8 (ft)	10 (ft)	12 (ft)
1400S300-97	50	9252 e	6939 e	5551 e	4626 e	3449 e	2207 e	1533 e
1400S350-97	33	9252 e	6939 e	5551 e	4626 e	3199 e	2047 e	1422 e
1400S350-97	50	9252 e	6939 e	5551 e	4626 e	3470 e	2685 e	1864 e
1400S200-118	33	16994 e	12233 e	7829 e	5437 e	3058 e	1957 e	1359 e
1400S200-118	50	16994 e	12745 e	10196 e	7250 e	4078 e	2610 e	1813 e
1400S250-118	33	16994 e	12745 e	8464 e	5878 e	3306 e	2116 e	1470 e
1400S250-118	50	16994 e	12745 e	10196 e	7798 e	4387 e	2807 e	1950 e
1400S300-118	33	16994 e	12745 e	8940 e	6208 e	3492 e	2235 e	1552 e
1400S300-118	50	16994 e	12745 e	10196 e	8183 e	4603 e	2946 e	2046 e
1400S350-118	33	16994 e	12745 e	10196 e	7392 e	4158 e	2661 e	1848 e
1400S350-118	50	16994 e	12745 e	10196 e	8497 e	5514 e	3529 e	2451 e
1600S200-68	33	2750 e	2062 e	1650 e	1375 e	1031 e	825 e	687 e
1600S200-68	50	2750 e	2062 e	1650 e	1375 e	1031 e	825 e	687 e
1600S250-68	33	2750 e	2062 e	1650 e	1375 e	1031 e	825 e	687 e
1600S250-68	50	2750 e	2062 e	1650 e	1375 e	1031 e	825 e	687 e
1600S300-68	33	2750 e	2062 e	1650 e	1375 e	1031 e	825 e	687 e
1600S300-68	50	2750 e	2062 e	1650 e	1375 e	1031 e	825 e	687 e
1600S350-68	33	2750 e	2062 e	1650 e	1375 e	1031 e	825 e	687 e
1600S350-68	50	2750 e	2062 e	1650 e	1375 e	1031 e	825 e	687 e
1600S200-97	33	8058 e	6043 e	4835 e	4029 e	2643 e	1692 e	1175 e
1600S200-97	50	8058 e	6043 e	4835 e	4029 e	3022 e	2201 e	1529 e
1600S250-97	33	8058 e	6043 e	4835 e	4029 e	2866 e	1834 e	1274 e
1600S250-97	50	8058 e	6043 e	4835 e	4029 e	3022 e	2383 e	1655 e
1600S300-97	33	8058 e	6043 e	4835 e	4029 e	3022 e	1940 e	1347 e
1600S300-97	50	8058 e	6043 e	4835 e	4029 e	3022 e	2417 e	1745 e
1600S350-97	33	8058 e	6043 e	4835 e	4029 e	3022 e	2357 e	1636 e
1600S350-97	50	8058 e	6043 e	4835 e	4029 e	3022 e	2417 e	2014 e
1600S200-118	33	14784 e	11088 e	8870 e	6241 e	3510 e	2247 e	1560 e
1600S200-118	50	14784 e	11088 e	8870 e	7392 e	4625 e	2960 e	2056 e
1600S250-118	33	14784 e	11088 e	8870 e	6769 e	3808 e	2437 e	1692 e
1600S250-118	50	14784 e	11088 e	8870 e	7392 e	5005 e	3203 e	2224 e
1600S300-118	33	14784 e	11088 e	8870 e	7170 e	4033 e	2581 e	1792 e
1600S300-118	50	14784 e	11088 e	8870 e	7392 e	5279 e	3379 e	2346 e
1600S350-118	33	14784 e	11088 e	8870 e	7392 e	4819 e	3084 e	2142 e
1600S350-118	50	14784 e	11088 e	8870 e	7392 e	5544 e	4063 e	2822 e

See Header Load Table Notes on page 84.

## Web Crippling Load Table Notes

1. All capacities listed are based upon the AISI S100-07, North American Specification for the Design of Cold-Formed Steel Structural Members.
2. Web crippling capacities calculated are for studs with stiffened or partially stiffened flanges.
3. Tabulated web crippling capacities are for single members only. For multiple members, multiply the tabulated values by the number of members in the assembly.
4. Listed allowable capacities are based upon members 'fastened to supports,' except back-to-back members under two-flange loading (condition 3 and 4) for which data for 'fastened to supports' is unavailable in the 2007 AISI NASPEC (S100) specification.
5. Listed allowable capacities are for unpunched webs. Capacity reduction for end and interior one flange loading (conditions 1 and 2) near punchouts may be required per section C3.4.2 of S100.

## Web Crippling Conditions



- Condition 1: End One-Flange Reaction
- Condition 2: Interior One-Flange Reaction
- Condition 3: End Two-Flange Reaction
- Condition 4: Interior Two-Flange Reaction

# Web Crippling Load Tables



## Allowable Web Crippling Loads (lbs) - Single Members

Member	Design Thickness, in	Inside Radius, in	Yield Strength, ksi	Condition 1			Condition 2			Condition 3			Condition 4		
				1	3.5	6	1	3.5	6	1	3.5	6	1	3.5	6
162S - 18	0.0188	0.0843	33	55	90	112	87	125	151	45	64	76	122	161	186
162S - 27	0.0283	0.0796	33	122	194	242	218	304	361	111	151	178	290	371	425
162S - 30	0.0312	0.0781	33	148	233	290	269	373	442	137	185	217	356	452	516
162S - 33	0.0346	0.0764	33	180	282	350	336	462	546	170	229	267	441	557	634
162S - 43	0.0451	0.0712	33	298	459	566	589	793	929	297	390	452	764	946	1067
162S - 54	0.0566	0.0849	33	447	678	832	904	1196	1390	471	609	700	1203	1466	1642
162S - 54	0.0566	0.0849	50	677	1027	1260	1370	1812	2105	714	922	1061	1823	2222	2487
162S - 68	0.0713	0.1069	33	672	1004	1225	1386	1802	2077	750	952	1087	1901	2282	2536
162S - 68	0.0713	0.1069	50	1019	1522	1856	2100	2730	3148	1136	1443	1646	2880	3458	3842
250S - 18	0.0188	0.0843	33	52	84	106	85	122	147	37	51	61	109	145	168
250S - 27	0.0283	0.0796	33	117	186	231	213	298	354	96	130	153	268	343	393
250S - 30	0.0312	0.0781	33	141	223	277	264	366	433	119	161	189	330	420	479
250S - 33	0.0346	0.0764	33	173	271	336	330	453	535	150	201	235	411	519	591
250S - 43	0.0451	0.0712	33	287	443	547	580	780	913	267	351	407	720	892	1006
250S - 54	0.0566	0.0849	33	433	657	806	891	1178	1369	430	556	639	1142	1392	1558
250S - 54	0.0566	0.0849	50	656	996	1222	1350	1785	2075	652	842	968	1730	2109	2361
250S - 68	0.0713	0.1069	33	654	977	1191	1368	1778	2050	693	880	1004	1815	2179	2421
250S - 68	0.0713	0.1069	50	990	1480	1805	2073	2694	3106	1049	1333	1521	2750	3302	3669
350S - 18	0.0188	0.0843	33	49	80	100	83	119	143	28	40	48	98	130	151
350S - 27	0.0283	0.0796	33	112	177	221	209	292	347	81	111	130	247	316	362
350S - 30	0.0312	0.0781	33	135	214	266	259	359	425	103	139	163	306	389	445
350S - 33	0.0346	0.0764	33	166	260	323	324	445	526	131	175	205	384	484	551
350S - 43	0.0451	0.0712	33	278	428	528	571	768	900	240	315	365	680	842	949
350S - 54	0.0566	0.0849	33	420	638	783	879	1162	1351	392	507	583	1086	1324	1482
350S - 54	0.0566	0.0849	50	637	967	1186	1331	1761	2046	594	768	883	1645	2005	2245
350S - 68	0.0713	0.1069	33	637	951	1160	1351	1756	2025	640	813	928	1737	2085	2317
350S - 68	0.0713	0.1069	50	965	1441	1758	2047	2661	3068	970	1232	1406	2631	3159	3510
350S - 97	0.1017	0.1525	33	1209	1760	2126	2629	3328	3792	1343	1663	1876	3562	4184	4597
350S - 97	0.1017	0.1525	50	1831	2666	3221	3983	5042	5745	2035	2520	2842	5397	6339	6966
362S - 18	0.0188	0.0843	33	49	79	99	82	119	143	27	39	46	97	128	149
362S - 27	0.0283	0.0796	33	111	177	220	209	291	346	80	108	127	245	313	359
362S - 30	0.0312	0.0781	33	135	213	265	258	358	424	101	136	160	304	386	441
362S - 33	0.0346	0.0764	33	165	259	322	323	444	525	129	173	202	381	480	547
362S - 43	0.0451	0.0712	33	277	427	526	570	767	898	236	311	360	675	836	943
362S - 54	0.0566	0.0849	33	419	636	780	877	1160	1348	388	501	577	1079	1316	1473
362S - 54	0.0566	0.0849	50	634	963	1182	1329	1758	2043	588	760	874	1635	1994	2232
362S - 68	0.0713	0.1069	33	635	948	1157	1349	1754	2022	635	806	920	1728	2074	2305
362S - 68	0.0713	0.1069	50	962	1437	1753	2044	2657	3064	961	1221	1393	2618	3143	3492
362S - 97	0.1017	0.1525	33	1206	1755	2120	2626	3324	3787	1333	1651	1862	3547	4166	4578
362S - 97	0.1017	0.1525	50	1827	2659	3212	3979	5036	5738	2020	2501	2821	5374	6313	6936
400S - 27	0.0283	0.0796	33	109	174	217	207	289	344	75	102	120	238	305	349
400S - 30	0.0312	0.0781	33	133	210	261	257	356	421	95	129	151	296	376	429
400S - 33	0.0346	0.0764	33	163	256	317	322	442	522	122	164	192	372	469	534
400S - 43	0.0451	0.0712	33	274	422	520	567	763	893	227	299	346	662	819	924
400S - 54	0.0566	0.0849	33	415	629	772	873	1155	1342	376	485	558	1061	1293	1448
400S - 54	0.0566	0.0849	50	628	954	1170	1323	1750	2034	569	735	846	1607	1960	2194
400S - 68	0.0713	0.1069	33	629	940	1147	1344	1746	2014	617	784	895	1702	2044	2271
400S - 68	0.0713	0.1069	50	953	1424	1737	2036	2646	3051	936	1188	1356	2579	3097	3441
400S - 97	0.1017	0.1525	33	1197	1742	2105	2617	3312	3774	1305	1616	1823	3504	4116	4523
400S - 97	0.1017	0.1525	50	1814	2640	3189	3965	5018	5718	1978	2448	2761	5309	6236	6853
550S - 27	0.0283	0.0796	33	103	164	205	202	282	336	58	79	93	214	274	314
550S - 30	0.0312	0.0781	33	126	199	248	251	348	412	76	103	120	268	341	389
550S - 33	0.0346	0.0764	33	155	243	302	315	432	511	100	134	157	339	428	487
550S - 43	0.0451	0.0712	33	262	405	499	556	749	877	195	256	297	614	760	858
550S - 54	0.0566	0.0849	33	400	607	745	859	1136	1320	331	428	493	995	1213	1358
550S - 54	0.0566	0.0849	50	606	920	1128	1302	1722	2001	502	649	746	1508	1838	2058
550S - 68	0.0713	0.1069	33	609	911	1111	1324	1721	1985	557	707	807	1611	1934	2149
550S - 68	0.0713	0.1069	50	923	1380	1683	2007	2608	3007	844	1071	1223	2441	2931	3256
550S - 97	0.1017	0.1525	33	1166	1697	2050	2585	3272	3728	1205	1492	1683	3352	3937	4326
550S - 97	0.1017	0.1525	50	1766	2571	3106	3917	4957	5649	1826	2261	2550	5079	5966	6555
600S - 30	0.0312	0.0781	33	124	196	244	249	345	409	70	95	111	260	330	377
600S - 33	0.0346	0.0764	33	153	240	297	313	430	507	93	125	146	330	416	473

See Web Crippling Load Table Notes page 89.



# Web Crippling Load Tables

## Allowable Web Crippling Loads (lbs) - Single Members

Member	Design Thickness	Inside Radius	Yield Str	Condition 1			Condition 2			Condition 3			Condition 4		
				1	3.5	6	1	3.5	6	1	3.5	6	1	3.5	6
				600S - 43	0.0451	0.0712	33	259	400	493	553	745	872	185	243
600S - 54	0.0566	0.0849	33	395	600	736	855	1131	1314	318	411	473	975	1189	1331
600S - 54	0.0566	0.0849	50	599	909	1116	1295	1713	1991	482	623	716	1478	1802	2017
600S - 68	0.0713	0.1069	33	604	902	1100	1319	1714	1976	539	684	781	1584	1901	2113
600S - 68	0.0713	0.1069	50	914	1366	1666	1998	2596	2994	816	1036	1183	2399	2881	3201
600S - 97	0.1017	0.1525	50	1752	2551	3081	3902	4939	5628	1781	2205	2487	5010	5885	6466
600S - 118	0.1242	0.1863	50	2528	3625	4354	5698	7108	8046	2734	3339	3741	7555	8772	9581
800S - 43	0.0451	0.0712	33	247	381	470	542	730	854	150	197	228	548	678	765
800S - 54	0.0566	0.0849	33	379	576	706	839	1110	1290	270	349	402	904	1102	1234
800S - 54	0.0566	0.0849	50	575	872	1070	1272	1682	1955	409	529	608	1370	1670	1869
800S - 68	0.0713	0.1069	33	582	870	1061	1297	1686	1944	473	601	685	1485	1783	1981
800S - 68	0.0713	0.1069	50	882	1318	1607	1966	2555	2946	716	910	1038	2250	2701	3001
800S - 97	0.1017	0.1525	50	1702	2477	2992	3850	4873	5553	1618	2003	2259	4761	5593	6146
800S - 118	0.1242	0.1863	50	2462	3531	4241	5629	7023	7949	2518	3075	3445	7223	8387	9160
1000S - 54	0.0566	0.0849	33	365	554	680	826	1092	1269	228	295	339	841	1026	1148
1000S - 54	0.0566	0.0849	50	553	840	1031	1251	1655	1923	346	447	514	1275	1554	1740
1000S - 68	0.0713	0.1069	33	563	842	1027	1279	1662	1917	415	527	602	1398	1679	1866
1000S - 68	0.0713	0.1069	50	854	1275	1556	1938	2518	2904	629	799	912	2119	2544	2827
1000S - 97	0.1017	0.1525	50	1657	2413	2914	3805	4816	5488	1476	1827	2060	4545	5338	5866
1000S - 118	0.1242	0.1863	50	2405	3449	4143	5569	6948	7864	2330	2845	3187	6934	8051	8794
1200S - 68	0.0713	0.1069	33	547	817	996	1262	1641	1892	363	462	527	1320	1585	1762
1200S - 68	0.0713	0.1069	50	828	1237	1509	1913	2486	2866	551	699	798	2001	2402	2669
1200S - 97	0.1017	0.1525	50	1618	2355	2844	3764	4764	5429	1348	1668	1882	4350	5109	5614
1200S - 118	0.1242	0.1863	50	2354	3375	4054	5515	6881	7788	2161	2638	2956	6675	7750	8465
1400S - 68	0.0713	0.1069	33	531	793	968	1247	1621	1869	316	401	458	1249	1500	1666
1400S - 68	0.0713	0.1069	50	805	1202	1466	1890	2456	2832	479	608	694	1892	2272	2525
1400S - 97	0.1017	0.1525	50	1581	2302	2780	3727	4717	5375	1230	1523	1718	4171	4900	5384
1400S - 118	0.1242	0.1863	50	2307	3308	3973	5466	6819	7719	2006	2449	2744	6437	7474	8164
1600S - 97	0.1017	0.1525	50	1547	2252	2721	3692	4673	5325	1121	1388	1566	4005	4705	5170
1600S - 118	0.1242	0.1863	50	2263	3245	3898	5420	6762	7654	1862	2274	2548	6217	7219	7884

<sup>1</sup> Bearing length to web height ratio, N/h, exceeds limit of 2.0

<sup>2</sup> Bearing length to thickness ratio, N/t, exceeds limit of 210

See Web Crippling Load Table Notes page 89.

# Web Crippling Load Tables



## Allowable Web Crippling Loads (lbs) - Back-to-Back Members

Member	Design Thickness, in	Inside Radius, in	Yield Strength, ksi	Condition 1			Condition 2			Condition 3			Condition 4		
				1	3.5	6	1	3.5	6	1	3.5	6	1	3.5	6
				162S - 18	0.0188	0.0843	33	124	196	244	156	217	257	76	100
162S - 27	0.0283	0.0796	33	268	413	510	363	489	572	184	236	270	386	494	566
162S - 30	0.0312	0.0781	33	321	493	606	443	592	690	227	288	329	478	608	695
162S - 33	0.0346	0.0764	33	389	593	729	547	724	842	283	357	406	600	757	862
162S - 43	0.0451	0.0712	33	638	953	1163	933	1211	1395	494	612	690	1066	1320	1489
162S - 54	0.0566	0.0849	33	949	1395	1692	1427	1820	2081	784	956	1071	1696	2068	2315
162S - 54	0.0566	0.0849	50	1438	2114	2564	2162	2757	3153	1188	1449	1622	2570	3134	3508
162S - 68	0.0713	0.1069	33	1418	2050	2470	2188	2744	3113	1250	1501	1667	2703	3246	3606
162S - 68	0.0713	0.1069	50	2148	3106	3742	3315	4157	4717	1894	2274	2526	4096	4918	5464
250S - 18	0.0188	0.0843	33	123	196	244	156	216	256	65	85	99	131	172	200
250S - 27	0.0283	0.0796	33	267	412	509	363	488	571	164	211	241	344	441	505
250S - 30	0.0312	0.0781	33	320	492	605	443	590	689	204	260	296	430	547	625
250S - 33	0.0346	0.0764	33	389	592	727	546	723	840	256	323	368	544	686	781
250S - 43	0.0451	0.0712	33	637	952	1162	932	1209	1393	455	563	636	982	1216	1371
250S - 54	0.0566	0.0849	33	947	1393	1690	1425	1817	2078	730	890	997	1579	1925	2155
250S - 54	0.0566	0.0849	50	1435	2111	2560	2159	2753	3149	1106	1349	1510	2393	2917	3266
250S - 68	0.0713	0.1069	33	1416	2047	2467	2185	2740	3109	1174	1409	1566	2539	3048	3387
250S - 68	0.0713	0.1069	50	2145	3102	3737	3311	4152	4711	1778	2135	2373	3846	4618	5131
350S - 18	0.0188	0.0843	33	123	195	243	156	216	256	55	72	84	110	145	169
350S - 27	0.0283	0.0796	33	267	412	508	362	487	570	146	187	214	306	391	448
350S - 30	0.0312	0.0781	33	320	491	604	442	589	688	183	233	266	386	490	560
350S - 33	0.0346	0.0764	33	388	591	726	545	721	839	232	292	333	492	621	706
350S - 43	0.0451	0.0712	33	636	951	1160	931	1207	1391	419	519	585	904	1119	1263
350S - 54	0.0566	0.0849	33	946	1392	1688	1423	1815	2075	680	829	929	1471	1794	2008
350S - 54	0.0566	0.0849	50	1434	2109	2557	2156	2750	3144	1031	1257	1407	2229	2718	3043
350S - 68	0.0713	0.1069	33	1414	2045	2464	2183	2737	3106	1104	1326	1473	2388	2867	3186
350S - 68	0.0713	0.1069	50	2143	3098	3733	3307	4147	4706	1673	2009	2232	3618	4345	4827
350S - 97	0.1017	0.1525	33	2641	3716	4431	4235	5181	5809	2305	2708	2976	4986	5857	6435
350S - 97	0.1017	0.1525	50	4002	5631	6713	6416	7850	8802	3493	4103	4508	7555	8874	9751
362S - 18	0.0188	0.0843	33	123	195	243	155	216	256	53	70	82	108	142	165
362S - 27	0.0283	0.0796	33	266	411	508	362	487	570	144	184	211	301	386	442
362S - 30	0.0312	0.0781	33	320	491	604	442	589	687	181	230	262	381	484	553
362S - 33	0.0346	0.0764	33	388	591	726	545	721	839	229	289	329	486	613	698
362S - 43	0.0451	0.0712	33	636	950	1160	930	1207	1391	415	514	579	895	1109	1250
362S - 54	0.0566	0.0849	33	946	1391	1687	1423	1815	2075	675	823	921	1459	1779	1992
362S - 54	0.0566	0.0849	50	1433	2108	2557	2156	2750	3144	1022	1246	1395	2211	2695	3017
362S - 68	0.0713	0.1069	33	1414	2045	2463	2182	2737	3105	1096	1316	1463	2371	2847	3163
362S - 68	0.0713	0.1069	50	2143	3098	3732	3307	4147	4705	1661	1995	2216	3592	4314	4793
362S - 97	0.1017	0.1525	33	2641	3716	4430	4234	5180	5809	2292	2693	2959	4957	5823	6399
362S - 97	0.1017	0.1525	50	4001	5630	6713	6416	7849	8801	3473	4080	4483	7511	8823	9695
400S - 27	0.0283	0.0796	33	266	411	507	362	486	569	138	177	202	289	370	424
400S - 30	0.0312	0.0781	33	320	490	604	441	589	687	174	221	252	366	465	531
400S - 33	0.0346	0.0764	33	388	591	726	545	721	838	221	279	317	469	592	673
400S - 43	0.0451	0.0712	33	635	950	1159	930	1206	1390	403	499	563	870	1077	1215
400S - 54	0.0566	0.0849	33	946	1391	1687	1422	1814	2074	658	803	899	1424	1736	1943
400S - 54	0.0566	0.0849	50	1433	2107	2556	2155	2748	3143	998	1216	1361	2157	2630	2944
400S - 68	0.0713	0.1069	33	1414	2044	2462	2181	2736	3104	1074	1289	1432	2322	2788	3098
400S - 68	0.0713	0.1069	50	2142	3097	3731	3305	4145	4703	1627	1953	2170	3518	4224	4694
400S - 97	0.1017	0.1525	33	2640	3715	4429	4233	5178	5807	2254	2648	2909	4875	5726	6292
400S - 97	0.1017	0.1525	50	4000	5628	6711	6414	7846	8798	3415	4012	4408	7386	8676	9534
550S - 27	0.0283	0.0796	33	266	410	506	361	485	568	116	149	171	244	312	357
550S - 30	0.0312	0.0781	33	319	489	603	441	588	686	149	189	216	314	399	455
550S - 33	0.0346	0.0764	33	387	590	724	544	720	836	192	242	276	407	514	585
550S - 43	0.0451	0.0712	33	634	948	1157	928	1204	1388	361	447	504	778	964	1087
550S - 54	0.0566	0.0849	33	944	1389	1684	1420	1811	2071	600	732	819	1298	1582	1771
550S - 54	0.0566	0.0849	50	1431	2104	2552	2152	2744	3138	909	1108	1241	1966	2397	2683
550S - 68	0.0713	0.1069	33	1412	2041	2459	2179	2732	3100	993	1192	1324	2147	2578	2864
550S - 68	0.0713	0.1069	50	2139	3092	3726	3301	4139	4697	1504	1806	2007	3253	3906	4340
550S - 97	0.1017	0.1525	33	2637	3710	4424	4228	5172	5800	2119	2489	2735	4583	5383	5915
550S - 97	0.1017	0.1525	50	3995	5622	6703	6406	7837	8788	3211	3771	4144	6944	8157	8963
600S - 30	0.0312	0.0781	33	319	489	602	440	587	685	141	180	205	298	379	433
600S - 33	0.0346	0.0764	33	387	589	724	543	719	836	183	231	263	389	491	559

See Web Crippling Load Table Notes page 89.

# Web Crippling Load Tables

## Allowable Web Crippling Loads (lbs) - Back-to-Back Members

Member	Design Thickness	Inside Radius	Yield Str	Condition 1			Condition 2			Condition 3			Condition 4		
				1	3.5	6	1	3.5	6	1	3.5	6	1	3.5	6
				600S - 43	0.0451	0.0712	33	634	948	1157 <sup>1</sup>	928	1204	1387 <sup>1</sup>	348	431
600S - 54	0.0566	0.0849	33	944	1388	1683 <sup>1</sup>	1420	1810	2070 <sup>1</sup>	583	710	795 <sup>1</sup>	1260	1536	1719 <sup>1</sup>
600S - 54	0.0566	0.0849	50	1430	2103	2551 <sup>1</sup>	2151	2743	3136 <sup>1</sup>	883	1076	1205 <sup>1</sup>	1909	2327	2605 <sup>1</sup>
600S - 68	0.0713	0.1069	33	1411	2040	2458 <sup>1</sup>	2178	2731	3099 <sup>1</sup>	968	1163	1292 <sup>1</sup>	2095	2515	2794 <sup>1</sup>
600S - 68	0.0713	0.1069	50	2138	3091	3724 <sup>1</sup>	3299	4138	4695 <sup>1</sup>	1467	1762	1958 <sup>1</sup>	3173	3811	4234 <sup>1</sup>
600S - 97	0.1017	0.1525	50	3994	5620	6701 <sup>1</sup>	6404	7834	8785 <sup>1</sup>	3150	3700	4065 <sup>1</sup>	6812	8001	8792 <sup>1</sup>
600S - 118	0.1242	0.1863	50	5696	7892	9351 <sup>1</sup>	9325	11257	12540 <sup>1</sup>	4808	5583	6097 <sup>1</sup>	10398	12074	13187 <sup>1</sup>
800S - 43	0.0451	0.0712	33	633	946	1154	926	1202	1384	302	374	421	651	806	909
800S - 54	0.0566	0.0849	33	942	1386	1681	1417	1807	2067	519	633	709	1123	1369	1532
800S - 54	0.0566	0.0849	50	1428	2100	2546	2147	2738	3131	787	959	1074	1701	2074	2322
800S - 68	0.0713	0.1069	33	1409	2037	2455	2174	2727	3094	881	1058	1175	1905	2287	2542
800S - 68	0.0713	0.1069	50	2135	3087	3719	3295	4132	4688	1335	1602	1780	2886	3466	3851
800S - 97	0.1017	0.1525	50	3989	5613	6692	6396	7825	8774	2929	3441	3781	6335	7442	8177
800S - 118	0.1242	0.1863	50	5690	7883	9341	9314	11244	12526	4514	5241	5724	9762	11335	12380
1000S - 54	0.0566	0.0849	33	941	1384	1678	1415	1805	2064	464	565	633	1003	1222	1368
1000S - 54	0.0566	0.0849	50	1426	2097	2543	2144	2735	3127	702	856	959	1519	1852	2073
1000S - 68	0.0713	0.1069	33	1407	2035	2451	2172	2723	3090	804	965	1073	1739	2088	2320
1000S - 68	0.0713	0.1069	50	2132	3083	3714	3290	4126	4682	1218	1463	1625	2635	3164	3515
1000S - 97	0.1017	0.1525	50	3985	5607	6685	6389	7816	8764	2737	3215	3533	5919	6953	7640
1000S - 118	0.1242	0.1863	50	5684	7875	9332	9305	11233	12514	4257	4943	5399	9208	10691	11677
1200S - 68	0.0713	0.1069	33	1406	2032	2449	2169	2720	3086	735	883	981	1590	1909	2121
1200S - 68	0.0713	0.1069	50	2130	3079	3710	3287	4122	4676	1114	1337	1486	2408	2892	3213
1200S - 97	0.1017	0.1525	50	3981	5601	6678	6383	7808	8756	2564	3012	3309	5545	6514	7158
1200S - 118	0.1242	0.1863	50	5679	7868	9323	9297	11223	12503	4027	4676	5107	8710	10113	11046
1400S - 68	0.0713	0.1069	33	1404	2030	2446	2167	2717	3083	672	806	896	1452	1744	1938
1400S - 68	0.0713	0.1069	50	2127	3076	3706	3283	4117	4671	1018	1222	1358	2201	2642	2936
1400S - 97	0.1017	0.1525	50	3977	5596	6672	6377	7801	8748	2406	2826	3105	5203	6111	6715
1400S - 118	0.1242	0.1863	50	5674	7862	9316	9289	11214	12492	3817	4432	4840	8254	9584	10468
1600S - 97	0.1017	0.1525	50	3974	5592	6667	6372	7795	8741	2259	2653	2915	4885	5738	6305
1600S - 118	0.1242	0.1863	50	5670	7856	9309	9282	11205	12483	3621	4205	4592	7832	9093	9932

<sup>1</sup> Bearing length to web height ratio, N/h, exceeds limit of 1.0

<sup>2</sup> Bearing length to thickness ratio, N/t, exceeds limit of 210

See Web Crippling Load Table Notes page 89.

## Ceiling Span Table Notes

1. For unbraced sections, allowable moment is based upon AISI S100-07, North American Specification for the Design of Cold-Formed Steel Structural Members section C3.1.2 with weak axis and torsional unbraced length assumed to be the listed span (completely unbraced). For mid-span braced sections, allowable moment based upon AISI S100-07 Specification, section C3.1.2 with weak axis and torsional unbraced length assumed to be one-half of the listed span (bracing at midspan).
2. Web crippling calculation based upon bearing length = 1 inch.
3. Web crippling and shear capacity have not been reduced for punchouts. If web punchouts occur near support, members must be checked for reduced shear and web crippling in accordance with the 2007 AISI Specification (S100).
4. Values are for simple span conditions.

# Ceiling Span Tables



## Allowable Ceiling Spans - Deflection Limit L/360

Member	Fy, ksi	4 psf						6 psf						13 psf								
		Lateral Support of Compression Flange						Lateral Support of Compression Flange						Lateral Support of Compression Flange								
		Unsupported			Midspan			Unsupported			Midspan			Unsupported			Midspan					
		Joist Spacing (in) o.c.			Joist Spacing (in) o.c.			Joist Spacing (in) o.c.			Joist Spacing (in) o.c.			Joist Spacing (in) o.c.			Joist Spacing (in) o.c.					
	12	16	24	12	16	24	12	16	24	12	16	24	12	16	24	12	16	24	12	16	24	
162S125-18	33	7' 2"	6' 6"	5' 8"	7' 2"	6' 6"	5' 8"	6' 3"	5' 8"	5' 0"	6' 3"	5' 8"	5' 0"	4' 10"	4' 5"	3' 10"	4' 10"	4' 5"	3' 10"	4' 10"	4' 5"	3' 10"
162S125-27	33	8' 5"	7' 8"	6' 8"	8' 5"	7' 8"	6' 8"	7' 4"	6' 8"	5' 10"	7' 4"	6' 8"	5' 10"	5' 8"	5' 2"	4' 6"	5' 8"	5' 2"	4' 6"	5' 8"	5' 2"	4' 6"
162S125-30	33	8' 8"	7' 11"	6' 11"	8' 8"	7' 11"	6' 11"	7' 7"	6' 11"	6' 0"	7' 7"	6' 11"	6' 0"	5' 10"	5' 4"	4' 8"	5' 10"	5' 4"	4' 8"	5' 10"	5' 4"	4' 8"
162S125-33	33	9' 0"	8' 2"	7' 1"	9' 0"	8' 2"	7' 1"	7' 10"	7' 1"	6' 3"	7' 10"	7' 1"	6' 3"	6' 1"	5' 6"	4' 10"	6' 1"	5' 6"	4' 10"	6' 1"	5' 6"	4' 10"
162S137-27	33	8' 10"	8' 0"	7' 0"	8' 10"	8' 0"	7' 0"	7' 9"	7' 0"	6' 2"	7' 9"	7' 0"	6' 2"	6' 0"	5' 5"	4' 9"	6' 0"	5' 5"	4' 9"	6' 0"	5' 5"	4' 9"
162S137-30	33	9' 1"	8' 3"	7' 3"	9' 1"	8' 3"	7' 3"	8' 0"	7' 3"	6' 4"	8' 0"	7' 3"	6' 4"	6' 2"	5' 7"	4' 11"	6' 2"	5' 7"	4' 11"	6' 2"	5' 7"	4' 11"
162S137-33	33	9' 5"	8' 7"	7' 6"	9' 5"	8' 7"	7' 6"	8' 3"	7' 6"	6' 6"	8' 3"	7' 6"	6' 6"	6' 4"	5' 9"	5' 1"	6' 4"	5' 9"	5' 1"	6' 4"	5' 9"	5' 1"
250S125-18	33	8' 5"	7' 9"	6' 11"	9' 11"	9' 0"	7' 10"	7' 6"	6' 11"	6' 2"	8' 8"	7' 10"	6' 11"	6' 0"	5' 6"	4' 10" e	6' 8"	6' 1" e	5' 4" e	6' 8"	6' 1" e	5' 4" e
250S125-27	33	9' 8"	8' 11"	8' 0"	11' 8"	10' 7"	9' 3"	8' 8"	8' 0"	7' 2"	10' 2"	9' 3"	8' 1"	7' 0"	6' 6"	5' 9"	7' 10"	7' 2"	6' 3"	7' 10"	7' 2"	6' 3"
250S125-30	33	10' 0"	9' 3"	8' 3"	12' 0"	10' 11"	9' 6"	9' 0"	8' 3"	7' 5"	10' 6"	9' 6"	8' 4"	7' 3"	6' 8"	6' 0"	8' 1"	7' 4"	6' 5"	8' 1"	7' 4"	6' 5"
250S125-33	33	10' 5"	9' 8"	8' 7"	12' 5"	11' 3"	9' 10"	9' 4"	8' 7"	7' 8"	10' 10"	9' 10"	8' 7"	7' 6"	6' 11"	6' 2"	8' 5"	7' 7"	6' 8"	8' 5"	7' 7"	6' 8"
250S125-43	33	11' 9"	10' 10"	9' 7"	13' 6"	12' 3"	10' 9"	10' 5"	9' 7"	8' 6"	11' 10"	10' 9"	9' 4"	8' 4"	7' 8"	6' 10"	9' 1"	8' 3"	7' 3"	9' 1"	8' 3"	7' 3"
250S137-27	33	11' 0"	10' 2"	9' 1"	12' 3"	11' 1"	9' 9"	9' 10"	9' 1"	8' 2"	10' 8"	9' 9"	8' 6"	8' 0"	7' 5"	6' 7"	8' 3"	7' 6"	6' 7"	8' 3"	7' 6"	6' 7"
250S137-30	33	11' 4"	10' 6"	9' 5"	12' 8"	11' 6"	10' 0"	10' 2"	9' 5"	8' 5"	11' 0"	10' 0"	8' 9"	8' 3"	7' 8"	6' 9"	8' 6"	7' 9"	6' 9"	8' 6"	7' 9"	6' 9"
250S137-33	33	11' 10"	10' 11"	9' 9"	13' 1"	11' 10"	10' 4"	10' 7"	9' 9"	8' 9"	11' 5"	10' 4"	9' 1"	8' 6"	7' 11"	7' 0"	8' 10"	8' 0"	7' 0"	8' 10"	8' 0"	7' 0"
250S137-43	33	13' 2"	12' 2"	10' 9"	14' 2"	12' 11"	11' 3"	11' 9"	10' 9"	9' 7"	12' 5"	11' 3"	9' 10"	9' 5"	8' 8"	7' 7"	9' 7"	8' 8"	7' 7"	9' 7"	8' 8"	7' 7"
250S162-33	33	13' 6"	12' 5"	10' 10"	13' 8"	12' 5"	10' 10"	12' 0"	10' 10"	9' 6"	12' 0"	10' 10"	9' 6"	9' 3"	8' 5"	7' 4"	9' 3"	8' 5"	7' 4"	9' 3"	8' 5"	7' 4"
250S162-43	33	14' 11"	13' 6"	11' 10"	14' 11"	13' 6"	11' 10"	13' 0"	11' 10"	10' 4"	13' 0"	11' 10"	10' 4"	10' 1"	9' 2"	8' 0"	10' 1"	9' 2"	8' 0"	10' 1"	9' 2"	8' 0"
350S125-18	33	9' 4"	8' 7"	7' 8"	12' 9"	11' 8"	10' 1"	8' 4"	7' 8"	6' 9"	11' 2"	10' 1"	8' 7" e	6' 7"	6' 1" e	5' 4" e	8' 4" e	7' 4" e	6' 2" e	8' 4" e	7' 4" e	6' 2" e
350S125-27	33	10' 6"	9' 9"	8' 9"	15' 1"	13' 8"	12' 0"	9' 5"	8' 9"	7' 10"	13' 2"	12' 0"	10' 5"	7' 8"	7' 2"	6' 5"	10' 2"	9' 3"	8' 0"	10' 2"	9' 3"	8' 0"
350S125-30	33	10' 10"	10' 0"	9' 0"	15' 6"	14' 2"	12' 4"	9' 9"	9' 0"	8' 1"	13' 7"	12' 4"	10' 10"	7' 11"	7' 4"	6' 7"	10' 6"	9' 7"	8' 4"	10' 6"	9' 7"	8' 4"
350S125-33	33	11' 3"	10' 5"	9' 4"	16' 0"	14' 8"	12' 9"	10' 1"	9' 4"	8' 4"	14' 1"	12' 9"	11' 2"	8' 2"	7' 7"	6' 10"	10' 10"	9' 10"	8' 8"	10' 10"	9' 10"	8' 8"
350S125-43	33	12' 7"	11' 6"	10' 3"	17' 6"	15' 11"	13' 11"	11' 2"	10' 3"	9' 1"	15' 4"	13' 11"	12' 2"	8' 11"	8' 3"	7' 4"	11' 10"	10' 9"	9' 5"	11' 10"	10' 9"	9' 5"
350S137-27	33	11' 11"	11' 0"	9' 11"	15' 10"	14' 5"	12' 7"	10' 8"	9' 11"	8' 11"	13' 10"	12' 7"	11' 0"	8' 9"	8' 1"	7' 4"	10' 8"	9' 9"	8' 6"	10' 8"	9' 9"	8' 6"
350S137-30	33	12' 3"	11' 4"	10' 2"	16' 4"	14' 10"	13' 0"	11' 0"	10' 2"	9' 2"	14' 3"	13' 0"	11' 4"	9' 0"	8' 4"	7' 6"	11' 0"	10' 0"	8' 9"	11' 0"	10' 0"	8' 9"
350S137-33	33	12' 8"	11' 9"	10' 6"	16' 11"	15' 4"	13' 5"	11' 4"	10' 6"	9' 5"	14' 9"	13' 5"	11' 9"	9' 3"	8' 7"	7' 9"	11' 5"	10' 4"	9' 1"	11' 5"	10' 4"	9' 1"
350S137-43	33	14' 1"	12' 11"	11' 6"	18' 4"	16' 8"	14' 7"	12' 6"	11' 6"	10' 4"	16' 1"	14' 7"	12' 9"	10' 1"	9' 4"	8' 4"	12' 5"	11' 3"	9' 10"	12' 5"	11' 3"	9' 10"
350S162-33	33	14' 6"	13' 5"	12' 0"	17' 9"	16' 1"	14' 1"	13' 0"	12' 0"	10' 10"	15' 6"	14' 1"	12' 3"	10' 7"	9' 10"	8' 10"	11' 11"	10' 10"	9' 6"	11' 11"	10' 10"	9' 6"
350S162-43	33	15' 11"	14' 8"	13' 1"	19' 3"	17' 6"	15' 3"	14' 3"	13' 1"	11' 9"	16' 10"	15' 3"	13' 4"	11' 6"	10' 7"	9' 6"	13' 0"	11' 10"	10' 4"	13' 0"	11' 10"	10' 4"
362S125-18	33	9' 5"	8' 8"	7' 9"	12' 11"	11' 10"	10' 3"	8' 5"	7' 9"	6' 10"	11' 4"	10' 3"	8' 9" e	6' 8"	6' 1" e	5' 5" e	8' 6" e	7' 6" e	6' 3" e	8' 6" e	7' 6" e	6' 3" e
362S125-27	33	10' 7"	9' 10"	8' 10"	15' 3"	14' 1"	12' 4"	9' 6"	8' 10"	7' 11"	13' 6"	12' 4"	10' 9"	7' 9"	7' 3"	6' 6"	10' 5"	9' 6"	8' 2"	10' 5"	9' 6"	8' 2"
362S125-30	33	10' 11"	10' 2"	9' 1"	15' 8"	14' 7"	12' 8"	9' 10"	9' 1"	8' 2"	14' 0"	12' 8"	11' 1"	8' 0"	7' 5"	6' 8"	10' 10"	9' 10"	8' 7"	10' 10"	9' 10"	8' 7"
362S125-33	33	11' 4"	10' 6"	9' 5"	16' 2"	15' 0"	13' 2"	10' 2"	9' 5"	8' 5"	14' 5"	13' 2"	11' 6"	8' 3"	7' 8"	6' 10"	11' 2"	10' 2"	8' 10"	11' 2"	10' 2"	8' 10"
362S125-43	33	12' 8"	11' 8"	10' 4"	17' 8"	16' 3"	14' 4"	11' 3"	10' 4"	9' 3"	15' 9"	14' 4"	12' 6"	9' 0"	8' 4"	7' 5"	12' 2"	11' 1"	9' 8"	12' 2"	11' 1"	9' 8"
362S137-27	33	12' 0"	11' 2"	10' 0"	16' 3"	14' 10"	12' 11"	10' 10"	10' 0"	9' 0"	14' 3"	12' 11"	11' 3"	8' 10"	8' 3"	7' 5"	11' 0"	10' 0"	8' 9" e	11' 0"	10' 0"	8' 9" e
362S137-30	33	12' 5"	11' 6"	10' 4"	16' 10"	15' 3"	13' 4"	11' 1"	10' 4"	9' 3"	14' 8"	13' 4"	11' 8"	9' 1"	8' 5"	7' 7"	11' 4"	10' 4"	9' 0"	11' 4"	10' 4"	9' 0"
362S137-33	33	12' 10"	11' 10"	10' 8"	17' 4"	15' 9"	13' 9"	11' 6"	10' 8"	9' 7"	15' 2"	13' 9"	12' 0"	9' 4"	8' 8"	7' 10"	11' 9"	10' 8"	9' 4"	11' 9"	10' 8"	9' 4"
362S137-43	33	14' 2"	13' 1"	11' 8"	18' 11"	17' 2"	15' 0"	12' 8"	11' 8"	10' 5"	16' 6"	15' 0"	13' 1"	10' 2"	9' 5"	8' 5"	12' 9"	11' 7"	10' 1"	12' 9"	11' 7"	10' 1"
362S162-33	33	14' 7"	13' 6"	12' 2"	18' 2"	16' 6"	14' 5"	13' 1"	12' 2"	10' 11"	15' 11"	14' 5"	12' 7"	10' 8"	9' 11"	8' 11"	12' 3"	11' 2"	9' 9"	12' 3"	11' 2"	9' 9"
362S162-43	33	16' 1"	14' 10"	13' 3"	19' 10"	18' 0"	15' 9"	14' 4"	13' 3"	11' 10"	17' 4"	15' 9"	13' 9"	11' 7"	10' 9"	9' 7"	13' 4"	12' 2"	10' 7"	13' 4"	12' 2"	10' 7"
400S125-18	33	9' 8"	8' 11"	8' 0"	13' 3"	12' 2"	10' 8"	8' 8"	8' 0"	7' 1"	11' 9"	10' 8"	9' 2" e	6' 11"	6' 4" e	5' 7" e	8' 10" e	7' 10" e	6' 7" e	8' 10" e	7' 10" e	6' 7" e
400S125-27	33	10' 11"	10' 2"	9' 1"	15' 8"	14' 6"	13' 0"	9' 10"	9' 1"	8' 2"	14' 1"	13' 0"	11' 5"	8' 0"	7' 5"	6' 8"	11' 1"	10' 0"	8' 6" e	11' 1"	10' 0"	8' 6" e
400S125-30	33	11' 3"	10' 5"	9' 4"	16' 3"	15' 0"	13' 5"	10' 1"	9' 4"	8' 5"	14' 6"	13' 5"	12' 0"	8' 3"	7' 8"	6' 10"	11' 8"	10' 7"	9' 1"	11' 8"	10' 7"	9' 1"
400S125-33	33	11' 8"	10' 10"	9' 8"	16' 8"	15' 6"	13' 11"	10' 5"	9' 8"	8' 8"	15' 0"	13' 11"	12' 5"	8' 6"	7' 11"	7' 1"	12' 1"	11' 0"	9' 7"	12' 1"	11' 0"	9' 7"
400S125-43	33	13' 0"	11' 11"	10' 7"	18' 2"	16' 9"	15' 0"	11' 6"	10' 7"	9' 6"	16' 3"	15' 0"	13' 6"	9' 3"	8' 7"	7' 8"	13' 2"	11' 11"	10' 5"	13' 2"	11' 11"	10' 5"
400S137-27	33	12' 4"	11' 6"	10' 4"	17' 7"	16' 0"	13' 11"	11' 2"	10' 4"	9' 4"	15' 4"	13' 11"	12' 2"	9' 1"	8' 5"	7' 7"	11' 10"	10' 9"	9' 5"	11' 10"	10' 9"	9' 5"
400S137-30	33	12' 9"	11' 10"	10' 7"	18' 2"	16' 6"	14' 5"	11' 5"	10' 7"	9' 7"	15' 10"	14' 5"	12' 7"	9' 4"	8' 8"	7' 10"	12' 3"	11' 1"	9' 9"	12' 3"	11' 1"	9' 9"
400S137-33	33	13' 2"	12' 2"	10' 11"	18' 9"	17' 0"	14' 11"	11' 10"	10' 11"	9' 10"	16' 5"	14' 11"	13' 0"	9' 8"	8' 11"	8' 1"	12' 8"	11' 6"	10' 1"	12' 8"	11' 6"	10' 1"
400S137-43	33	14' 7"	13' 5"	11' 11"	20' 5"	18' 6"	16' 2"	12' 11"	11' 11"	10' 8"	17' 10"	16' 2"	14' 2"	10' 5"	9' 8"	8' 8"	13' 9"	12' 6"	10' 11"	13' 9"	12' 6"	10' 11"
400S162-33	33	15' 0"	13' 11"	12' 6"	19' 8"	17' 10"	15' 7"	13' 6"	12' 6"	11' 3"	17' 2"	15' 7"	13' 7"	11' 0"	10' 3"	9' 2"	13' 3"	12' 0"	10' 6"	13' 3"	12' 0"	10' 6"
400S162-43	33	16' 6"	15' 2"	13' 7"	21' 4"	19' 5"	16' 11"	14' 8"	13' 7"	12' 2"	18' 8"	16' 11"	14'									

# Ceiling Span Tables



## Allowable Ceiling Spans - Deflection Limit L/360

Member	Fy, ksi	4 psf						6 psf						13 psf					
		Lateral Support of Compression Flange						Lateral Support of Compression Flange						Lateral Support of Compression Flange					
		Unsupported			Midspan			Unsupported			Midspan			Unsupported			Midspan		
		Joist Spacing (in) o.c.			Joist Spacing (in) o.c.			Joist Spacing (in) o.c.			Joist Spacing (in) o.c.			Joist Spacing (in) o.c.			Joist Spacing (in) o.c.		
		12	16	24	12	16	24	12	16	24	12	16	24	12	16	24	12	16	24
550S137-27	33	13' 8"	12' 8"	11' 5"	19' 9"	18' 4"	16' 7"	12' 3"	11' 5"	10' 3"	17' 10"	16' 7"	14' 11"	10' 1"	9' 4"	8' 5" e	14' 8"	13' 7" e	11' 11" e
550S137-30	33	14' 0"	13' 0"	11' 9"	20' 3"	18' 10"	17' 0"	12' 7"	11' 9"	10' 7"	18' 3"	17' 0"	15' 4"	10' 4"	9' 7"	8' 8"	15' 0"	13' 11"	12' 4" e
550S137-33	33	14' 6"	13' 5"	12' 1"	20' 10"	19' 4"	17' 5"	13' 0"	12' 1"	10' 10"	18' 9"	17' 5"	15' 9"	10' 7"	9' 10"	8' 11"	15' 5"	14' 4"	12' 9" e
550S137-43	33	15' 10"	14' 8"	13' 1"	22' 6"	20' 10"	18' 9"	14' 2"	13' 1"	11' 9"	20' 3"	18' 9"	16' 10"	11' 6"	10' 8"	9' 7"	16' 6"	15' 4"	13' 9"
550S162-33	33	16' 6"	15' 3"	13' 9"	23' 9"	22' 1"	19' 11"	14' 10"	13' 9"	12' 4"	21' 5"	19' 11"	17' 5"	12' 1"	11' 3"	10' 2"	17' 0"	15' 5"	13' 6" e
550S162-43	33	18' 0"	16' 7"	14' 11"	25' 8"	23' 9"	21' 4"	16' 1"	14' 11"	13' 4"	23' 0"	21' 4"	19' 0"	13' 1"	12' 1"	10' 11"	18' 6"	16' 10"	14' 8"
600S125-27	33	12' 5"	11' 6"	10' 4"	17' 10"	16' 6"	14' 9"	11' 2"	10' 4"	9' 4"	16' 0"	14' 9"	13' 2"	9' 2"	8' 6"	7' 7" e	12' 11"	11' 11" e	10' 4" e
600S125-30	33	12' 9"	11' 10"	10' 8"	18' 5"	17' 1"	15' 3"	11' 6"	10' 8"	9' 7"	16' 6"	15' 3"	13' 8"	9' 5"	8' 8"	7' 10"	13' 4"	12' 4"	10' 11" e
600S125-33	33	13' 2"	12' 2"	10' 11"	18' 11"	17' 7"	15' 10"	11' 10"	10' 11"	9' 10"	17' 0"	15' 10"	14' 2"	9' 8"	8' 11"	8' 1"	13' 10"	12' 9"	11' 5"
600S125-43	33	14' 5"	13' 4"	11' 11"	20' 6"	18' 11"	17' 0"	12' 11"	11' 11"	10' 8"	18' 4"	17' 0"	15' 3"	10' 5"	9' 8"	8' 8"	15' 0"	13' 11"	12' 6"
600S137-27	33	14' 0"	13' 0"	11' 8"	20' 2"	18' 8"	16' 9"	12' 7"	11' 8"	10' 6"	18' 1"	16' 9"	15' 0"	10' 4"	9' 7"	8' 7" e	14' 8"	13' 7" e	11' 10" e
600S137-30	33	14' 5"	13' 4"	12' 0"	20' 9"	19' 3"	17' 3"	12' 11"	12' 0"	10' 10"	18' 8"	17' 3"	15' 6"	10' 7"	9' 10"	8' 10"	15' 2"	14' 0"	12' 5" e
600S137-33	33	14' 10"	13' 9"	12' 4"	21' 5"	19' 10"	17' 10"	13' 4"	12' 4"	11' 2"	19' 3"	17' 10"	16' 0"	10' 11"	10' 1"	9' 1"	15' 8"	14' 6"	12' 11" e
600S137-43	33	16' 3"	15' 0"	13' 5"	23' 1"	21' 5"	19' 3"	14' 6"	13' 5"	12' 0"	20' 9"	19' 3"	17' 3"	11' 9"	10' 11"	9' 10"	16' 11"	15' 9"	14' 2"
600S162-33	33	16' 11"	15' 8"	14' 1"	24' 5"	22' 8"	20' 5"	15' 2"	14' 1"	12' 8"	22' 0"	20' 5"	18' 5"	12' 5"	11' 6"	10' 5"	18' 0"	16' 6"	14' 5" e
600S162-43	33	18' 4"	17' 0"	15' 3"	26' 3"	24' 4"	21' 11"	16' 5"	15' 3"	13' 8"	23' 7"	21' 11"	19' 9"	13' 5"	12' 5"	11' 2"	19' 4"	17' 11"	15' 9"
800S125-33	33	14' 3"	13' 3"	11' 11"	20' 7"	19' 1"	17' 1"	12' 10"	11' 11"	10' 9"	18' 5"	17' 1"	15' 3"	10' 6"	9' 9"	8' 9" e	14' 11"	13' 9" e	12' 4" e
800S125-43	33	15' 7"	14' 4"	12' 11"	22' 2"	20' 7"	18' 6"	13' 11"	12' 11"	11' 7"	19' 11"	18' 6"	16' 8"	11' 4"	10' 6"	9' 5"	16' 3"	15' 1"	13' 6"
800S137-33	33	16' 1"	14' 11"	13' 5"	23' 2"	21' 6"	19' 3"	14' 6"	13' 5"	12' 1"	20' 9"	19' 3"	17' 3"	11' 10"	11' 0"	9' 10" e	16' 10"	15' 7" e	14' 0" e
800S137-43	33	17' 6"	16' 2"	14' 6"	25' 1"	23' 3"	20' 11"	15' 8"	14' 6"	13' 0"	22' 6"	20' 11"	18' 10"	12' 9"	11' 10"	10' 8"	18' 5"	17' 0"	15' 3" e
800S162-33	33	18' 4"	17' 0"	15' 4"	26' 4"	24' 5"	21' 11"	16' 6"	15' 4"	13' 9"	23' 8"	21' 11"	19' 7" e	13' 6"	12' 6"	11' 2" e	19' 2" e	17' 9" e	15' 10" e
800S162-43	33	19' 10"	18' 5"	16' 6"	28' 6"	26' 6"	23' 10"	17' 10"	16' 6"	14' 10"	25' 8"	23' 10"	21' 5"	14' 6"	13' 6"	12' 2"	20' 11"	19' 4"	17' 4"

## Allowable Ceiling Spans - Deflection Limit L/240

Member	Fy, ksi	4 psf						6 psf						13 psf					
		Lateral Support of Compression Flange						Lateral Support of Compression Flange						Lateral Support of Compression Flange					
		Unsupported			Midspan			Unsupported			Midspan			Unsupported			Midspan		
		Joist Spacing (in) o.c.			Joist Spacing (in) o.c.			Joist Spacing (in) o.c.			Joist Spacing (in) o.c.			Joist Spacing (in) o.c.			Joist Spacing (in) o.c.		
		12	16	24	12	16	24	12	16	24	12	16	24	12	16	24	12	16	24
162S125-18	33	7' 4"	6' 8"	5' 11"	8' 3"	7' 5"	6' 6"	6' 6"	5' 11"	5' 2"	7' 2"	6' 6"	5' 8"	5' 1"	4' 6"	3' 10"	5' 7"	4' 11"	4' 0"
162S125-27	33	8' 8"	8' 0"	7' 1"	9' 8"	8' 9"	7' 8"	7' 8"	7' 1"	6' 4"	8' 5"	7' 8"	6' 8"	6' 2"	5' 7"	4' 10"	6' 6"	5' 11"	5' 2"
162S125-30	33	9' 0"	8' 4"	7' 5"	9' 11"	9' 0"	7' 11"	8' 0"	7' 5"	6' 7"	8' 8"	7' 11"	6' 11"	6' 5"	5' 11"	5' 1"	6' 9"	6' 1"	5' 4"
162S125-33	33	9' 6"	8' 8"	7' 9"	10' 3"	9' 4"	8' 2"	8' 5"	7' 9"	6' 10"	9' 0"	8' 2"	7' 1"	6' 8"	6' 2"	5' 4"	6' 11"	6' 4"	5' 6"
162S137-27	33	9' 11"	9' 2"	8' 0"	10' 1"	9' 2"	8' 0"	8' 10"	8' 0"	7' 0"	8' 10"	8' 0"	7' 0"	6' 10"	6' 2"	5' 5"	6' 10"	6' 2"	5' 5"
162S137-30	33	10' 3"	9' 6"	8' 3"	10' 5"	9' 6"	8' 3"	9' 1"	8' 3"	7' 3"	9' 1"	8' 3"	7' 3"	7' 1"	6' 5"	5' 7"	7' 1"	6' 5"	5' 7"
162S137-33	33	10' 9"	9' 9"	8' 7"	10' 9"	9' 9"	8' 7"	9' 5"	8' 7"	7' 6"	9' 5"	8' 7"	7' 6"	7' 3"	6' 7"	5' 9"	7' 3"	6' 7"	5' 9"
250S125-18	33	8' 5"	7' 9"	6' 11"	11' 4"	10' 4"	9' 0"	7' 6"	6' 11"	6' 2"	9' 11"	9' 0"	7' 9"	6' 0"	5' 6"	4' 10" e	7' 6"	6' 7" e	5' 6" e
250S125-27	33	9' 8"	8' 11"	8' 0"	13' 4"	12' 1"	10' 7"	8' 8"	8' 0"	7' 2"	11' 8"	10' 7"	9' 3"	7' 0"	6' 6"	5' 9"	9' 0"	8' 2"	6' 10"
250S125-30	33	10' 0"	9' 3"	8' 3"	13' 9"	12' 6"	10' 11"	9' 0"	8' 3"	7' 5"	12' 0"	10' 11"	9' 6"	7' 3"	6' 8"	6' 0"	9' 3"	8' 5"	7' 3"
250S125-33	33	10' 5"	9' 8"	8' 7"	14' 3"	12' 11"	11' 3"	9' 4"	8' 7"	7' 8"	12' 5"	11' 3"	9' 10"	7' 6"	6' 11"	6' 2"	9' 7"	8' 9"	7' 7"
250S125-43	33	11' 9"	10' 10"	9' 7"	15' 6"	14' 1"	12' 3"	10' 5"	9' 7"	8' 6"	13' 6"	12' 3"	10' 9"	8' 4"	7' 8"	6' 10"	10' 5"	9' 6"	8' 3"
250S137-27	33	11' 0"	10' 2"	9' 1"	14' 0"	12' 9"	11' 1"	9' 10"	9' 1"	8' 2"	12' 3"	11' 1"	9' 9"	8' 0"	7' 5"	6' 8"	9' 6"	8' 7"	7' 6"
250S137-30	33	11' 4"	10' 6"	9' 5"	14' 5"	13' 2"	11' 6"	10' 2"	9' 5"	8' 5"	12' 8"	11' 6"	10' 0"	8' 3"	7' 8"	6' 10"	9' 9"	8' 10"	7' 9"
250S137-33	33	11' 10"	10' 11"	9' 9"	14' 11"	13' 7"	11' 10"	10' 7"	9' 9"	8' 9"	13' 1"	11' 10"	10' 4"	8' 6"	7' 11"	7' 1"	10' 1"	9' 2"	8' 0"
250S137-43	33	13' 2"	12' 2"	10' 9"	16' 3"	14' 9"	12' 11"	11' 9"	10' 9"	9' 7"	14' 2"	12' 11"	11' 3"	9' 5"	8' 8"	7' 9"	10' 11"	9' 11"	8' 8"
250S162-33	33	13' 6"	12' 5"	11' 2"	15' 8"	14' 3"	12' 5"	12' 1"	11' 2"	10' 0"	13' 8"	12' 5"	10' 10"	9' 9"	9' 1"	8' 0"	10' 7"	9' 7"	8' 5"
250S162-43	33	14' 11"	13' 9"	12' 3"	17' 1"	15' 6"	13' 6"	13' 4"	12' 3"	10' 11"	14' 11"	13' 6"	11' 10"	10' 8"	9' 10"	8' 10"	11' 6"	10' 5"	9' 2"
350S125-18	33	9' 4"	8' 7"	7' 8"	12' 9"	11' 8"	10' 1"	8' 4"	7' 8"	6' 9"	11' 2"	10' 1"	8' 7" e	6' 7"	6' 1" e	5' 4" e	8' 4" e	7' 4" e	6' 2" e
350S125-27	33	10' 6"	9' 9"	8' 9"	15' 1"	14' 0"	12' 5"	9' 5"	8' 9"	7' 10"	13' 6"	12' 5"	10' 10"	7' 8"	7' 2"	6' 5"	10' 7"	9' 5"	8' 0"
350S125-30	33	10' 10"	10' 0"	9' 0"	15' 6"	14' 5"	12' 11"	9' 9"	9' 0"	8' 1"	14' 0"	12' 11"	11' 5"	7' 11"	7' 4"	6' 7"	11' 2"	10' 0"	8' 6"
350S125-33	33	11' 3"	10' 5"	9' 4"	16' 0"	14' 10"	13' 4"	10' 1"	9' 4"	8' 4"	14' 5"	13' 4"	11' 11"	8' 2"	7' 7"	6' 10"	11' 8"	10' 7"	9' 1"
350S125-43	33	12' 7"	11' 6"	10' 3"	17' 6"	16' 1"	14' 5"	11' 2"	10' 3"	9' 1"	15' 7"	14' 5"	12' 11"	8' 11"	8' 3"	7' 4"	12' 8"	11' 8"	10' 2"
350S137-27	33	11' 11"	11' 0"	9' 11"	17' 2"	15' 11"	14' 4"	10' 8"	9' 11"	8' 11"	15' 6"	14' 4"	12' 7"	8' 9"	8' 1"	7' 4"	12' 2"	10' 10"	9' 1" e
350S137-30	33	12' 3"	11' 4"	10' 2"	17' 8"	16' 4"	14' 9"	11' 0"	10' 2"	9' 2"	15' 11"	14' 9"	13' 0"	9' 0"	8' 4"	7' 6"	12' 8"	11' 5"	9' 8"
350S137-33	33	12' 8"	11' 9"	10' 6"	18' 2"	16' 10"	15' 2"	11' 4"	10' 6"	9' 5"	16' 4"	15' 2"	13' 5"	9' 3"	8' 7"	7' 9"	13' 1"	11' 10"	10' 3"
350S137-43	33	14' 1"	12' 11"	11' 6"	19' 9"	18' 3"	16' 4"	12' 6"	11' 6"	10' 4"	17' 8"	16' 4"	14' 7"	10' 1"	9' 4"	8' 4"	14' 2"	12' 11"	11' 3"

"e" web stiffeners required at supports.

See Ceiling Span Table Notes on page 94.

# Ceiling Span Tables



## Allowable Ceiling Spans - Deflection Limit L/240

Member	Fy, ksi	4 psf						6 psf						13 psf					
		Lateral Support of Compression Flange						Lateral Support of Compression Flange						Lateral Support of Compression Flange					
		Unsupported			Midspan			Unsupported			Midspan			Unsupported			Midspan		
		Joist Spacing (in) o.c.		12	16	24	Joist Spacing (in) o.c.		12	16	24	Joist Spacing (in) o.c.		12	16	24	Joist Spacing (in) o.c.		12
350S162-33	33	14' 6"	13' 5"	12' 0"	20' 3"	18' 5"	16' 1"	13' 0"	12' 0"	10' 10"	17' 9"	16' 1"	14' 1"	10' 7"	9' 10"	8' 10"	13' 8"	12' 5"	10' 10"
350S162-43	33	15' 11"	14' 8"	13' 1"	22' 1"	20' 0"	17' 6"	14' 3"	13' 1"	11' 9"	19' 3"	17' 6"	15' 3"	11' 6"	10' 7"	9' 6"	14' 11"	13' 6"	11' 10"
362S125-18	33	9' 5"	8' 8"	7' 9"	12' 11"	11' 10"	10' 3"	8' 5"	7' 9"	6' 10"	11' 4"	10' 3"	8' 9" e	6' 8"	6' 1" e	5' 5" e	8' 6" e	7' 6" e	6' 3" e
362S125-27	33	10' 7"	9' 10"	8' 10"	15' 3"	14' 1"	12' 7"	9' 6"	8' 10"	7' 11"	13' 8"	12' 7"	11' 0"	7' 9"	7' 3"	6' 6"	10' 8"	9' 7"	8' 2"
362S125-30	33	10' 11"	10' 2"	9' 1"	15' 8"	14' 7"	13' 1"	9' 10"	9' 1"	8' 2"	14' 1"	13' 1"	11' 7"	8' 0"	7' 5"	6' 8"	11' 3"	10' 2"	8' 8"
362S125-33	33	11' 4"	10' 6"	9' 5"	16' 2"	15' 0"	13' 6"	10' 2"	9' 5"	8' 5"	14' 6"	13' 6"	12' 1"	8' 3"	7' 8"	6' 10"	11' 10"	10' 9"	9' 2"
362S125-43	33	12' 8"	11' 8"	10' 4"	17' 8"	16' 3"	14' 7"	11' 3"	10' 4"	9' 3"	15' 9"	14' 7"	13' 1"	9' 0"	8' 4"	7' 5"	12' 10"	11' 9"	10' 4"
362S137-27	33	12' 0"	11' 2"	10' 0"	17' 4"	16' 1"	14' 5"	10' 10"	10' 0"	9' 0"	15' 7"	14' 5"	12' 9"	8' 10"	8' 3"	7' 5"	12' 4"	11' 0"	9' 3" e
362S137-30	33	12' 5"	11' 6"	10' 4"	17' 10"	16' 7"	14' 11"	11' 1"	10' 4"	9' 3"	16' 1"	14' 11"	13' 3"	9' 1"	8' 5"	7' 7"	12' 10"	11' 7"	9' 11"
362S137-33	33	12' 10"	11' 10"	10' 8"	18' 4"	17' 0"	15' 4"	11' 6"	10' 8"	9' 7"	16' 6"	15' 4"	13' 8"	9' 4"	8' 8"	7' 10"	13' 4"	12' 2"	10' 5"
362S137-43	33	14' 2"	13' 1"	11' 8"	19' 11"	18' 5"	16' 6"	12' 8"	11' 8"	10' 5"	17' 10"	16' 6"	14' 10"	10' 2"	9' 5"	8' 5"	14' 6"	13' 3"	11' 6"
362S162-33	33	14' 7"	13' 6"	12' 2"	20' 10"	18' 11"	16' 6"	13' 1"	12' 2"	10' 11"	18' 2"	16' 6"	14' 5"	10' 8"	9' 11"	8' 11"	14' 1"	12' 9"	11' 2"
362S162-43	33	16' 1"	14' 10"	13' 3"	22' 8"	20' 7"	18' 0"	14' 4"	13' 3"	11' 10"	19' 10"	18' 0"	15' 9"	11' 7"	10' 9"	9' 7"	15' 4"	13' 11"	12' 2"
400S125-18	33	9' 8"	8' 11"	8' 0"	13' 3"	12' 2"	10' 8"	8' 8"	8' 0"	7' 1"	11' 9"	10' 8"	9' 2" e	6' 11"	6' 4" e	5' 7" e	8' 10" e	7' 10" e	6' 7" e
400S125-27	33	10' 11"	10' 2"	9' 1"	15' 8"	14' 6"	13' 0"	9' 10"	9' 1"	8' 2"	14' 1"	13' 0"	11' 5"	8' 0"	7' 5"	6' 8"	11' 1"	10' 0"	8' 6" e
400S125-30	33	11' 3"	10' 5"	9' 4"	16' 3"	15' 0"	13' 5"	10' 1"	9' 4"	8' 5"	14' 6"	13' 5"	12' 0"	8' 3"	7' 8"	6' 10"	11' 8"	10' 7"	9' 1"
400S125-33	33	11' 8"	10' 10"	9' 8"	16' 8"	15' 6"	13' 11"	10' 5"	9' 8"	8' 8"	15' 0"	13' 11"	12' 5"	8' 6"	7' 11"	7' 1"	12' 2"	11' 2"	9' 8"
400S125-43	33	13' 0"	11' 11"	10' 7"	18' 2"	16' 9"	15' 0"	11' 6"	10' 7"	9' 6"	16' 3"	15' 0"	13' 6"	9' 3"	8' 7"	7' 8"	13' 2"	12' 3"	10' 10"
400S137-27	33	12' 4"	11' 6"	10' 4"	17' 10"	16' 6"	14' 10"	11' 2"	10' 4"	9' 4"	16' 0"	14' 10"	13' 2"	9' 1"	8' 5"	7' 7"	12' 10"	11' 6"	9' 8" e
400S137-30	33	12' 9"	11' 10"	10' 7"	18' 5"	17' 1"	15' 4"	11' 5"	10' 7"	9' 7"	16' 6"	15' 4"	13' 8"	9' 4"	8' 8"	7' 10"	13' 4"	12' 1"	10' 4" e
400S137-33	33	13' 2"	12' 2"	10' 11"	18' 11"	17' 7"	15' 10"	11' 10"	10' 11"	9' 10"	17' 0"	15' 10"	14' 2"	9' 8"	8' 11"	8' 1"	13' 10"	12' 7"	10' 11"
400S137-43	33	14' 7"	13' 5"	11' 11"	20' 6"	18' 11"	17' 0"	12' 11"	11' 11"	10' 8"	18' 4"	17' 0"	15' 3"	10' 5"	9' 8"	8' 8"	14' 11"	13' 9"	12' 1"
400S162-33	33	15' 0"	13' 11"	12' 6"	21' 7"	20' 1"	17' 10"	13' 6"	12' 6"	11' 3"	19' 5"	17' 10"	15' 7"	11' 0"	10' 3"	9' 2"	15' 2"	13' 9"	12' 0"
400S162-43	33	16' 6"	15' 2"	13' 7"	23' 4"	21' 7"	19' 5"	14' 8"	13' 7"	12' 2"	20' 11"	19' 5"	16' 11"	11' 11"	11' 0"	9' 11"	16' 6"	15' 0"	13' 1"
550S125-27	33	12' 1"	11' 3"	10' 1"	17' 5"	16' 1"	14' 5"	10' 10"	10' 1"	9' 1"	15' 7"	14' 5"	12' 11"	8' 11"	8' 3"	7' 5"	12' 7"	11' 7"	10' 0" e
550S125-30	33	12' 5"	11' 6"	10' 4"	17' 11"	16' 8"	14' 11"	11' 2"	10' 4"	9' 4"	16' 2"	14' 11"	13' 4"	9' 2"	8' 6"	7' 8"	13' 0"	12' 1"	10' 7" e
550S125-33	33	12' 10"	11' 11"	10' 8"	18' 5"	17' 1"	15' 5"	11' 6"	10' 8"	9' 7"	16' 7"	15' 5"	13' 10"	9' 5"	8' 9"	7' 10"	13' 6"	12' 6"	11' 1"
550S125-43	33	14' 1"	13' 0"	11' 8"	20' 0"	18' 6"	16' 7"	12' 7"	11' 8"	10' 5"	17' 11"	16' 7"	14' 11"	10' 2"	9' 5"	8' 5"	14' 7"	13' 6"	12' 2"
550S137-27	33	13' 8"	12' 8"	11' 5"	19' 9"	18' 4"	16' 7"	12' 3"	11' 5"	10' 3"	17' 10"	16' 7"	14' 11"	10' 1"	9' 4"	8' 5" e	14' 8"	13' 7" e	11' 11" e
550S137-30	33	14' 0"	13' 0"	11' 9"	20' 3"	18' 10"	17' 0"	12' 7"	11' 9"	10' 7"	18' 3"	17' 0"	15' 4"	10' 4"	9' 7"	8' 8"	15' 0"	13' 11"	12' 4" e
550S137-33	33	14' 6"	13' 5"	12' 1"	20' 10"	19' 4"	17' 5"	13' 0"	12' 1"	10' 10"	18' 9"	17' 5"	15' 9"	10' 7"	9' 10"	8' 11"	15' 5"	14' 4"	12' 9" e
550S137-43	33	15' 10"	14' 8"	13' 1"	22' 6"	20' 10"	18' 9"	14' 2"	13' 1"	11' 9"	20' 3"	18' 9"	16' 10"	11' 6"	10' 8"	9' 7"	16' 6"	15' 4"	13' 9"
550S162-33	33	16' 6"	15' 3"	13' 9"	23' 9"	22' 1"	19' 11"	14' 10"	13' 9"	12' 4"	21' 5"	19' 11"	17' 11"	12' 1"	11' 3"	10' 2"	17' 7"	16' 2"	14' 3" e
550S162-43	33	18' 0"	16' 7"	14' 11"	25' 8"	23' 9"	21' 4"	16' 1"	14' 11"	13' 4"	23' 0"	21' 4"	19' 3"	13' 1"	12' 1"	10' 11"	18' 10"	17' 6"	15' 6"
600S125-27	33	12' 5"	11' 6"	10' 4"	17' 10"	16' 6"	14' 9"	11' 2"	10' 4"	9' 4"	16' 0"	14' 9"	13' 2"	9' 2"	8' 6"	7' 7" e	12' 11"	11' 11" e	10' 4" e
600S125-30	33	12' 9"	11' 10"	10' 8"	18' 5"	17' 1"	15' 3"	11' 6"	10' 8"	9' 7"	16' 6"	15' 3"	13' 8"	9' 5"	8' 8"	7' 10"	13' 4"	12' 4"	10' 11" e
600S125-33	33	13' 2"	12' 2"	10' 11"	18' 11"	17' 7"	15' 10"	11' 10"	10' 11"	9' 10"	17' 0"	15' 10"	14' 2"	9' 8"	8' 11"	8' 1"	13' 10"	12' 9"	11' 5" e
600S125-43	33	14' 5"	13' 4"	11' 11"	20' 6"	18' 11"	17' 0"	12' 11"	11' 11"	10' 8"	18' 4"	17' 0"	15' 3"	10' 5"	9' 8"	8' 8"	15' 0"	13' 11"	12' 6"
600S137-27	33	14' 0"	13' 0"	11' 8"	20' 2"	18' 8"	16' 9"	12' 7"	11' 8"	10' 6"	18' 1"	16' 9"	15' 0"	10' 4"	9' 7"	8' 7" e	14' 8"	13' 7" e	11' 10" e
600S137-30	33	14' 5"	13' 4"	12' 0"	20' 9"	19' 3"	17' 3"	12' 11"	12' 0"	10' 10"	18' 8"	17' 3"	15' 6"	10' 7"	9' 10"	8' 10"	15' 2"	14' 0"	12' 5" e
600S137-33	33	14' 10"	13' 9"	12' 4"	21' 5"	19' 10"	17' 10"	13' 4"	12' 4"	11' 2"	19' 3"	17' 10"	16' 0"	10' 11"	10' 1"	9' 1"	15' 8"	14' 6"	12' 11" e
600S137-43	33	16' 3"	15' 0"	13' 5"	23' 1"	21' 5"	19' 3"	14' 6"	13' 5"	12' 0"	20' 9"	19' 3"	17' 3"	11' 9"	10' 11"	9' 10"	16' 11"	15' 9"	14' 2"
600S162-33	33	16' 11"	15' 8"	14' 1"	24' 5"	22' 8"	20' 5"	15' 2"	14' 1"	12' 8"	22' 0"	20' 5"	18' 5"	12' 5"	11' 6"	10' 5"	18' 0"	16' 9"	14' 9" e
600S162-43	33	18' 4"	17' 0"	15' 3"	26' 3"	24' 4"	21' 11"	16' 5"	15' 3"	13' 8"	23' 7"	21' 11"	19' 9"	13' 5"	12' 5"	11' 2"	19' 4"	17' 11"	16' 0"
800S125-33	33	14' 3"	13' 3"	11' 11"	20' 7"	19' 1"	17' 1"	12' 10"	11' 11"	10' 9"	18' 5"	17' 1"	15' 3"	10' 6"	9' 9"	8' 9" e	14' 11"	13' 9" e	12' 4" e
800S125-43	33	15' 7"	14' 4"	12' 11"	22' 2"	20' 7"	18' 6"	13' 11"	12' 11"	11' 7"	19' 11"	18' 6"	16' 8"	11' 4"	10' 6"	9' 5"	16' 3"	15' 1"	13' 6"
800S137-33	33	16' 1"	14' 11"	13' 5"	23' 2"	21' 6"	19' 3"	14' 6"	13' 5"	12' 1"	20' 9"	19' 3"	17' 3"	11' 10"	11' 0"	9' 10" e	16' 10"	15' 7" e	14' 0" e
800S137-43	33	17' 6"	16' 2"	14' 6"	25' 1"	23' 3"	20' 11"	15' 8"	14' 6"	13' 0"	22' 6"	20' 11"	18' 10"	12' 9"	11' 10"	10' 8"	18' 5"	17' 0"	15' 3"
800S162-33	33	18' 4"	17' 0"	15' 4"	26' 4"	24' 5"	21' 11"	16' 6"	15' 4"	13' 9"	23' 8"	21' 11"	19' 7" e	13' 6"	12' 6"	11' 2" e	19' 2" e	17' 9" e	15' 10" e
800S162-43	33	19' 10"	18' 5"	16' 6"	28' 6"	26' 6"	23' 10"	17' 10"	16' 6"	14' 10"	25' 8"	23' 10"	21' 5"	14' 6"	13' 6"	12' 2"	20' 11"	19' 4"	17' 4"

"e" web stiffeners required at supports.

See Ceiling Span Table Notes on page 94.



## Allowable Ceiling Spans - Deflection Limit L/120

Member	Fy, ksi	4 psf						6 psf						13 psf					
		Lateral Support of Compression Flange						Lateral Support of Compression Flange						Lateral Support of Compression Flange					
		Unsupported			Midspan			Unsupported			Midspan			Unsupported			Midspan		
		Joist Spacing (in) o.c.			Joist Spacing (in) o.c.			Joist Spacing (in) o.c.			Joist Spacing (in) o.c.			Joist Spacing (in) o.c.			Joist Spacing (in) o.c.		
		12	16	24	12	16	24	12	16	24	12	16	24	12	16	24	12	16	24
162S125-18	33	7' 4"	6' 8"	5' 11"	9' 6"	8' 5"	7' 1"	6' 5"	5' 11"	5' 2"	8' 0"	7' 1"	5' 11"	5' 1"	4' 6"	3' 10"	5' 8"	4' 11"	4' 0"
162S125-27	33	8' 8"	8' 0"	7' 1"	11' 9"	10' 7"	9' 0"	7' 8"	7' 1"	6' 4"	10' 1"	9' 0"	7' 7"	6' 2"	5' 7"	4' 10"	7' 4"	6' 5"	5' 4"
162S125-30	33	9' 0"	8' 4"	7' 5"	12' 5"	11' 2"	9' 6"	8' 0"	7' 5"	6' 7"	10' 8"	9' 6"	8' 0"	6' 5"	5' 11"	5' 1"	7' 9"	6' 10"	5' 8"
162S125-33	33	9' 6"	8' 8"	7' 9"	12' 11"	11' 9"	10' 1"	8' 5"	7' 9"	6' 10"	11' 4"	10' 1"	8' 6"	6' 8"	6' 2"	5' 4"	8' 3"	7' 3"	6' 0"
162S137-27	33	9' 11"	9' 2"	8' 2"	12' 9"	11' 7"	10' 1"	8' 10"	8' 2"	7' 3"	11' 2"	10' 1"	8' 8"	7' 1"	6' 6"	5' 7"	8' 4"	7' 4"	6' 0"
162S137-30	33	10' 3"	9' 6"	8' 5"	13' 2"	11' 11"	10' 5"	9' 2"	8' 5"	7' 6"	11' 6"	10' 5"	9' 1"	7' 4"	6' 8"	5' 10"	8' 10"	7' 9"	6' 4"
162S137-33	33	10' 9"	9' 11"	8' 10"	13' 7"	12' 4"	10' 9"	9' 7"	8' 10"	7' 10"	11' 10"	10' 9"	9' 5"	7' 8"	6' 11"	6' 0"	9' 2"	8' 2"	6' 10"
250S125-18	33	8' 5"	7' 9"	6' 11"	11' 7"	10' 7"	9' 1"	7' 6"	6' 11"	6' 2"	10' 2"	9' 1"	7' 9"	6' 0"	5' 6"	4' 10" e	7' 6"	6' 7" e	5' 6" e
250S125-27	33	9' 8"	8' 11"	8' 0"	13' 8"	12' 7"	11' 0"	8' 8"	8' 0"	7' 2"	12' 2"	11' 0"	9' 6"	7' 0"	6' 6"	5' 9"	9' 2"	8' 2"	6' 10"
250S125-30	33	10' 0"	9' 3"	8' 3"	14' 2"	13' 1"	11' 6"	9' 0"	8' 3"	7' 5"	12' 8"	11' 6"	9' 11"	7' 3"	6' 8"	6' 0"	9' 8"	8' 7"	7' 3"
250S125-33	33	10' 5"	9' 8"	8' 7"	14' 8"	13' 6"	12' 1"	9' 4"	8' 7"	7' 8"	13' 1"	12' 1"	10' 6"	7' 6"	6' 11"	6' 2"	10' 2"	9' 1"	7' 8"
250S125-43	33	11' 9"	10' 10"	9' 7"	16' 3"	15' 0"	13' 3"	10' 5"	9' 7"	8' 6"	14' 6"	13' 3"	11' 8"	8' 4"	7' 8"	6' 10"	11' 4"	10' 3"	8' 9"
250S137-27	33	11' 0"	10' 2"	9' 1"	15' 9"	14' 6"	12' 9"	9' 10"	9' 1"	8' 2"	14' 0"	12' 9"	10' 10"	8' 0"	7' 5"	6' 8"	10' 6"	9' 3"	7' 9"
250S137-30	33	11' 4"	10' 6"	9' 5"	16' 3"	15' 0"	13' 2"	10' 2"	9' 5"	8' 5"	14' 6"	13' 2"	11' 5"	8' 3"	7' 8"	6' 10"	11' 0"	9' 10"	8' 2"
250S137-33	33	11' 10"	10' 11"	9' 9"	16' 9"	15' 6"	13' 8"	10' 7"	9' 9"	8' 9"	14' 11"	13' 8"	11' 11"	8' 6"	7' 11"	7' 1"	11' 6"	10' 3"	8' 8"
250S137-43	33	13' 2"	12' 2"	10' 9"	18' 5"	16' 11"	15' 0"	11' 9"	10' 9"	9' 7"	16' 5"	15' 0"	13' 1"	9' 5"	8' 8"	7' 9"	12' 9"	11' 5"	9' 9"
250S162-33	33	13' 6"	12' 5"	11' 2"	19' 2"	17' 7"	15' 4"	12' 1"	11' 2"	10' 0"	16' 11"	15' 4"	13' 2"	9' 9"	9' 1"	8' 0"	12' 9"	11' 3"	9' 5"
250S162-43	33	14' 11"	13' 9"	12' 3"	20' 11"	19' 3"	16' 11"	13' 4"	12' 3"	10' 11"	18' 7"	16' 11"	14' 7"	10' 8"	9' 10"	8' 10"	14' 2"	12' 8"	10' 9"
350S125-18	33	9' 4"	8' 7"	7' 8"	12' 9"	11' 8"	10' 1"	8' 4"	7' 8"	6' 9"	11' 2"	10' 1"	8' 7" e	6' 7"	6' 1" e	5' 4" e	8' 4" e	7' 4" e	6' 2" e
350S125-27	33	10' 6"	9' 9"	8' 9"	15' 1"	14' 0"	12' 5"	9' 5"	8' 9"	7' 10"	13' 6"	12' 5"	10' 10"	7' 8"	7' 2"	6' 5"	10' 7"	9' 5"	8' 0"
350S125-30	33	10' 10"	10' 0"	9' 0"	15' 6"	14' 5"	12' 11"	9' 9"	9' 0"	8' 1"	14' 0"	12' 11"	11' 5"	7' 11"	7' 4"	6' 7"	11' 2"	10' 0"	8' 6"
350S125-33	33	11' 3"	10' 5"	9' 4"	16' 0"	14' 10"	13' 4"	10' 1"	9' 4"	8' 4"	14' 5"	13' 4"	11' 11"	8' 2"	7' 7"	6' 10"	11' 8"	10' 7"	9' 1"
350S125-43	33	12' 7"	11' 6"	10' 3"	17' 6"	16' 1"	14' 5"	11' 2"	10' 3"	9' 1"	15' 7"	14' 5"	12' 11"	8' 11"	8' 3"	7' 4"	12' 8"	11' 8"	10' 2"
350S137-27	33	11' 11"	11' 0"	9' 11"	17' 2"	15' 11"	14' 4"	10' 8"	9' 11"	8' 11"	15' 6"	14' 4"	12' 7"	8' 9"	8' 1"	7' 4"	12' 2"	10' 10"	9' 1" e
350S137-30	33	12' 3"	11' 4"	10' 2"	17' 8"	16' 4"	14' 9"	11' 0"	10' 2"	9' 2"	15' 11"	14' 9"	13' 1"	9' 0"	8' 4"	7' 6"	12' 8"	11' 5"	9' 8"
350S137-33	33	12' 8"	11' 9"	10' 6"	18' 2"	16' 10"	15' 2"	11' 4"	10' 6"	9' 5"	16' 4"	15' 2"	13' 6"	9' 3"	8' 7"	7' 9"	13' 2"	11' 11"	10' 3"
350S137-43	33	14' 1"	12' 11"	11' 6"	19' 9"	18' 3"	16' 4"	12' 6"	11' 6"	10' 4"	17' 8"	16' 4"	14' 8"	10' 1"	9' 4"	8' 4"	14' 3"	13' 0"	11' 4"
350S162-33	33	14' 6"	13' 5"	12' 0"	20' 9"	19' 3"	17' 3"	13' 0"	12' 0"	10' 10"	18' 8"	17' 3"	15' 2"	10' 7"	9' 10"	8' 10"	14' 9"	13' 3"	11' 3"
350S162-43	33	15' 11"	14' 8"	13' 1"	22' 6"	20' 10"	18' 8"	14' 3"	13' 1"	11' 9"	20' 2"	18' 8"	16' 7"	11' 6"	10' 7"	9' 6"	16' 1"	14' 7"	12' 7"
362S125-18	33	9' 5"	8' 8"	7' 9"	12' 11"	11' 10"	10' 3"	8' 5"	7' 9"	6' 10"	11' 4"	10' 3"	8' 9" e	6' 8"	6' 1" e	5' 5" e	8' 6" e	7' 6" e	6' 3" e
362S125-27	33	10' 7"	9' 10"	8' 10"	15' 3"	14' 1"	12' 7"	9' 6"	8' 10"	7' 11"	13' 8"	12' 7"	11' 0"	7' 9"	7' 3"	6' 6"	10' 8"	9' 7"	8' 2"
362S125-30	33	10' 11"	10' 2"	9' 1"	15' 8"	14' 7"	13' 1"	9' 10"	9' 1"	8' 2"	14' 1"	13' 1"	11' 7"	8' 0"	7' 5"	6' 8"	11' 3"	10' 2"	8' 8"
362S125-33	33	11' 4"	10' 6"	9' 5"	16' 2"	15' 0"	13' 6"	10' 2"	9' 5"	8' 5"	14' 6"	13' 6"	12' 1"	8' 3"	7' 8"	6' 10"	11' 10"	10' 9"	9' 2"
362S125-43	33	12' 8"	11' 8"	10' 4"	17' 8"	16' 3"	14' 7"	11' 3"	10' 4"	9' 3"	15' 9"	14' 7"	13' 1"	9' 0"	8' 4"	7' 5"	12' 10"	11' 9"	10' 4"
362S137-27	33	12' 0"	11' 2"	10' 0"	17' 4"	16' 1"	14' 5"	10' 10"	10' 0"	9' 0"	15' 7"	14' 5"	12' 9"	8' 10"	8' 3"	7' 5"	12' 4"	11' 0"	9' 3" e
362S137-30	33	12' 5"	11' 6"	10' 4"	17' 10"	16' 7"	14' 11"	11' 1"	10' 4"	9' 3"	16' 1"	14' 11"	13' 3"	9' 1"	8' 5"	7' 7"	12' 10"	11' 7"	9' 11"
362S137-33	33	12' 10"	11' 10"	10' 8"	18' 4"	17' 0"	15' 4"	11' 6"	10' 8"	9' 7"	16' 6"	15' 4"	13' 8"	9' 4"	8' 8"	7' 10"	13' 4"	12' 2"	10' 5"
362S137-43	33	14' 2"	13' 1"	11' 8"	19' 11"	18' 5"	16' 6"	12' 8"	11' 8"	10' 5"	17' 10"	16' 6"	14' 10"	10' 2"	9' 5"	8' 5"	14' 6"	13' 3"	11' 6"
362S162-33	33	14' 7"	13' 6"	12' 2"	21' 0"	19' 6"	17' 6"	13' 1"	12' 2"	10' 11"	18' 11"	17' 6"	15' 5"	10' 8"	9' 11"	8' 11"	15' 0"	13' 6"	11' 5"
362S162-43	33	16' 1"	14' 10"	13' 3"	22' 9"	21' 0"	18' 11"	14' 4"	13' 3"	11' 10"	20' 5"	18' 11"	16' 9"	11' 7"	10' 9"	9' 7"	16' 4"	14' 10"	12' 10"
400S125-18	33	9' 8"	8' 11"	8' 0"	13' 3"	12' 2"	10' 8"	8' 8"	8' 0"	7' 1"	11' 9"	10' 8"	9' 2" e	6' 11"	6' 4" e	5' 7" e	8' 10" e	7' 10" e	6' 7" e
400S125-27	33	10' 11"	10' 2"	9' 1"	15' 8"	14' 6"	13' 0"	9' 10"	9' 1"	8' 2"	14' 1"	13' 0"	11' 5"	8' 0"	7' 5"	6' 8"	11' 1"	10' 0"	8' 6" e
400S125-30	33	11' 3"	10' 5"	9' 4"	16' 3"	15' 0"	13' 5"	10' 1"	9' 4"	8' 5"	14' 6"	13' 5"	12' 0"	8' 3"	7' 8"	6' 10"	11' 8"	10' 7"	9' 1"
400S125-33	33	11' 8"	10' 10"	9' 8"	16' 8"	15' 6"	13' 11"	10' 5"	9' 8"	8' 8"	15' 0"	13' 11"	12' 5"	8' 6"	7' 11"	7' 1"	12' 2"	11' 2"	9' 8"
400S125-43	33	13' 0"	11' 11"	10' 7"	18' 2"	16' 9"	15' 0"	11' 6"	10' 7"	9' 6"	16' 3"	15' 0"	13' 6"	9' 3"	8' 7"	7' 8"	13' 2"	12' 3"	10' 10"
400S137-27	33	12' 4"	11' 6"	10' 4"	17' 10"	16' 6"	14' 10"	11' 2"	10' 4"	9' 4"	16' 0"	14' 10"	13' 2"	9' 1"	8' 5"	7' 7"	12' 10"	11' 6"	9' 8" e
400S137-30	33	12' 9"	11' 10"	10' 7"	18' 5"	17' 1"	15' 4"	11' 5"	10' 7"	9' 7"	16' 6"	15' 4"	13' 8"	9' 4"	8' 8"	7' 10"	13' 4"	12' 1"	10' 4" e
400S137-33	33	13' 2"	12' 2"	10' 11"	18' 11"	17' 7"	15' 10"	11' 10"	10' 11"	9' 10"	17' 0"	15' 10"	14' 2"	9' 8"	8' 11"	8' 1"	13' 10"	12' 7"	10' 11"
400S137-43	33	14' 7"	13' 5"	11' 11"	20' 6"	18' 11"	17' 0"	12' 11"	11' 11"	10' 8"	18' 4"	17' 0"	15' 3"	10' 5"	9' 8"	8' 8"	14' 11"	13' 9"	12' 1"
400S162-33	33	15' 0"	13' 11"	12' 6"	21' 7"	20' 1"	18' 0"	13' 6"	12' 6"	11' 3"	19' 5"	18' 0"	15' 11"	11' 0"	10' 3"	9' 2"	15' 7"	14' 1"	12' 0"
400S162-43	33	16' 6"	15' 2"	13' 7"	23' 4"	21' 7"	19' 5"	14' 8"	13' 7"	12' 2"	20' 11"	19' 5"	17' 5"	11' 11"	11' 0"	9' 11"	17' 0"	15' 6"	13' 5"
550S125-27	33	12' 1"	11' 3"	10' 1"	17' 5"	16' 1"	14' 5"	10' 10"	10' 1"	9' 1"	15' 7"	14' 5"	12' 11"	8' 11"	8' 3"	7' 5"	12' 7"	11' 7"	10' 0" e
550S125-30	33	12' 5"	11' 6"	10' 4"	17' 11"	16' 8"	14' 11"	11' 2"	10' 4"	9' 4"	16' 2"	14' 11"	13' 4"	9' 2"	8' 6"	7' 8"	13' 0"	12' 1"	10' 7" e
550S125-33	33	12' 10"	11' 11"	10' 8"	18' 5"	17' 1"	15' 5"	11' 6"	10' 8"	9' 7"	16' 7"	15' 5"	13' 10"	9' 5"	8' 9"	7' 10"	13' 6"	12' 6"	11' 1"
550S125-43	33	14' 1"	13' 0"	11' 8"	20' 0"	18' 6"	16' 7"	12' 7"	11' 8"	10' 5"	17' 11"	16' 7"	14' 11"	10' 2"	9' 5"	8' 5"	14' 7"	13' 6"	12' 2"
550S137-27	33	13' 8"	12' 8"	11' 5"	19' 9"	18' 4"	16' 7"	12' 3"	11' 5"	10' 3"	17' 10"	16' 7"	14' 11"	10' 1"	9' 4"	8' 5" e	14' 8"	13' 7" e	11' 11" e
550S137-30	33	14' 0"	13' 0"	11' 9"	20' 3"	18' 10"	17' 0"	12' 7"	11' 9"	10' 7"	18' 3"	17' 0"	15' 4"	10' 4"	9' 7"	8' 8"	15' 0"	13' 11"	12' 4" e
550S137-33	33	14' 6"	13' 5"	12' 1"	20' 10"	19' 4"	17' 5"	1											

# Ceiling Span Tables

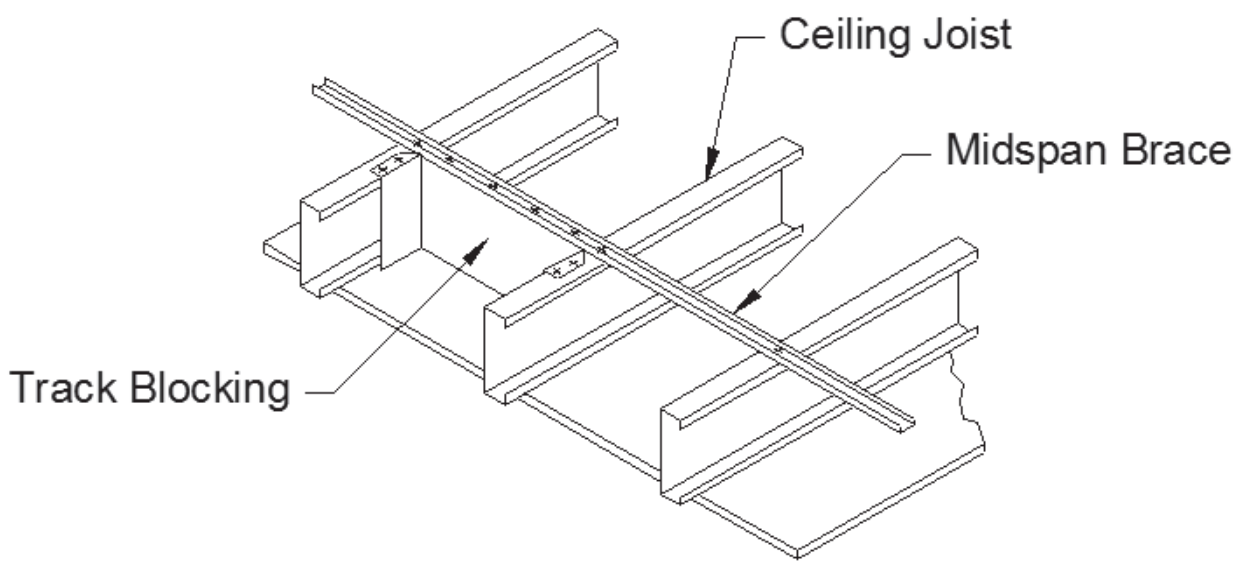
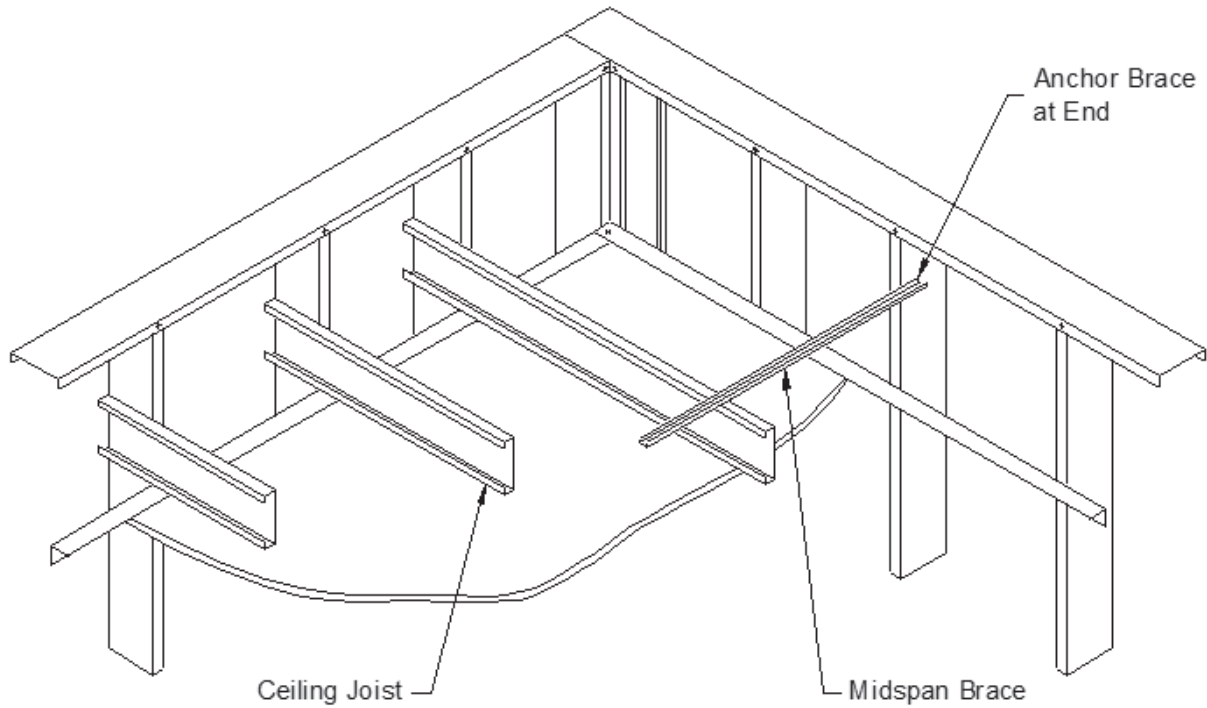
## Allowable Ceiling Spans - Deflection Limit L/120

Member	Fy, ksi	4 psf						6 psf						13 psf					
		Lateral Support of Compression Flange						Lateral Support of Compression Flange						Lateral Support of Compression Flange					
		Unsupported			Midspan			Unsupported			Midspan			Unsupported			Midspan		
		Joist Spacing (in) o.c.			Joist Spacing (in) o.c.			Joist Spacing (in) o.c.			Joist Spacing (in) o.c.			Joist Spacing (in) o.c.			Joist Spacing (in) o.c.		
		12	16	24	12	16	24	12	16	24	12	16	24	12	16	24	12	16	24
550S162-33	33	16' 6"	15' 3"	13' 9"	23' 9"	22' 1"	19' 11"	14' 10"	13' 9"	12' 4"	21' 5"	19' 11"	17' 11"	12' 1"	11' 3"	10' 2"	17' 7"	16' 2"	14' 3" e
550S162-43	33	18' 0"	16' 7"	14' 11"	25' 8"	23' 9"	21' 4"	16' 1"	14' 11"	13' 4"	23' 0"	21' 4"	19' 3"	13' 1"	12' 1"	10' 11"	18' 10"	17' 6"	15' 6"
600S125-27	33	12' 5"	11' 6"	10' 4"	17' 10"	16' 6"	14' 9"	11' 2"	10' 4"	9' 4"	16' 0"	14' 9"	13' 2"	9' 2"	8' 6"	7' 7" e	12' 11"	11' 11" e	10' 4" e
600S125-30	33	12' 9"	11' 10"	10' 8"	18' 5"	17' 1"	15' 3"	11' 6"	10' 8"	9' 7"	16' 6"	15' 3"	13' 8"	9' 5"	8' 8"	7' 10"	13' 4"	12' 4"	10' 11" e
600S125-33	33	13' 2"	12' 2"	10' 11"	18' 11"	17' 7"	15' 10"	11' 10"	10' 11"	9' 10"	17' 0"	15' 10"	14' 2"	9' 8"	8' 11"	8' 1"	13' 10"	12' 9"	11' 5"
600S125-43	33	14' 5"	13' 4"	11' 11"	20' 6"	18' 11"	17' 0"	12' 11"	11' 11"	10' 8"	18' 4"	17' 0"	15' 3"	10' 5"	9' 8"	8' 8"	15' 0"	13' 11"	12' 6"
600S137-27	33	14' 0"	13' 0"	11' 8"	20' 2"	18' 8"	16' 9"	12' 7"	11' 8"	10' 6"	18' 1"	16' 9"	15' 0"	10' 4"	9' 7"	8' 7" e	14' 8"	13' 7" e	11' 10" e
600S137-30	33	14' 5"	13' 4"	12' 0"	20' 9"	19' 3"	17' 3"	12' 11"	12' 0"	10' 10"	18' 8"	17' 3"	15' 6"	10' 7"	9' 10"	8' 10"	15' 2"	14' 0"	12' 5" e
600S137-33	33	14' 10"	13' 9"	12' 4"	21' 5"	19' 10"	17' 10"	13' 4"	12' 4"	11' 2"	19' 3"	17' 10"	16' 0"	10' 11"	10' 1"	9' 1"	15' 8"	14' 6"	12' 11" e
600S137-43	33	16' 3"	15' 0"	13' 5"	23' 1"	21' 5"	19' 3"	14' 6"	13' 5"	12' 0"	20' 9"	19' 3"	17' 3"	11' 9"	10' 11"	9' 10"	16' 11"	15' 9"	14' 2"
600S162-33	33	16' 11"	15' 8"	14' 1"	24' 5"	22' 8"	20' 5"	15' 2"	14' 1"	12' 8"	22' 0"	20' 5"	18' 5"	12' 5"	11' 6"	10' 5"	18' 0"	16' 9"	14' 9" e
600S162-43	33	18' 4"	17' 0"	15' 3"	26' 3"	24' 4"	21' 11"	16' 5"	15' 3"	13' 8"	23' 7"	21' 11"	19' 9"	13' 5"	12' 5"	11' 2"	19' 4"	17' 11"	16' 0"
800S125-33	33	14' 3"	13' 3"	11' 11"	20' 7"	19' 1"	17' 1"	12' 10"	11' 11"	10' 9"	18' 5"	17' 1"	15' 3"	10' 6"	9' 9"	8' 9" e	14' 11"	13' 9" e	12' 4" e
800S125-43	33	15' 7"	14' 4"	12' 11"	22' 2"	20' 7"	18' 6"	13' 11"	12' 11"	11' 7"	19' 11"	18' 6"	16' 8"	11' 4"	10' 6"	9' 5"	16' 3"	15' 1"	13' 6"
800S137-33	33	16' 1"	14' 11"	13' 5"	23' 2"	21' 6"	19' 3"	14' 6"	13' 5"	12' 1"	20' 9"	19' 3"	17' 3"	11' 10"	11' 0"	9' 10" e	16' 10"	15' 7" e	14' 0" e
800S137-43	33	17' 6"	16' 2"	14' 6"	25' 1"	23' 3"	20' 11"	15' 8"	14' 6"	13' 0"	22' 6"	20' 11"	18' 10"	12' 9"	11' 10"	10' 8"	18' 5"	17' 0"	15' 3"
800S162-33	33	18' 4"	17' 0"	15' 4"	26' 4"	24' 5"	21' 11"	16' 6"	15' 4"	13' 9"	23' 8"	21' 11"	19' 7" e	13' 6"	12' 6"	11' 2" e	19' 2" e	17' 9" e	15' 10" e
800S162-43	33	19' 10"	18' 5"	16' 6"	28' 6"	26' 6"	23' 10"	17' 10"	16' 6"	14' 10"	25' 8"	23' 10"	21' 5"	14' 6"	13' 6"	12' 2"	20' 11"	19' 4"	17' 4"

"e" web stiffeners required at supports.

See Ceiling Span Table Notes on page 94.

# Typical Ceiling Details

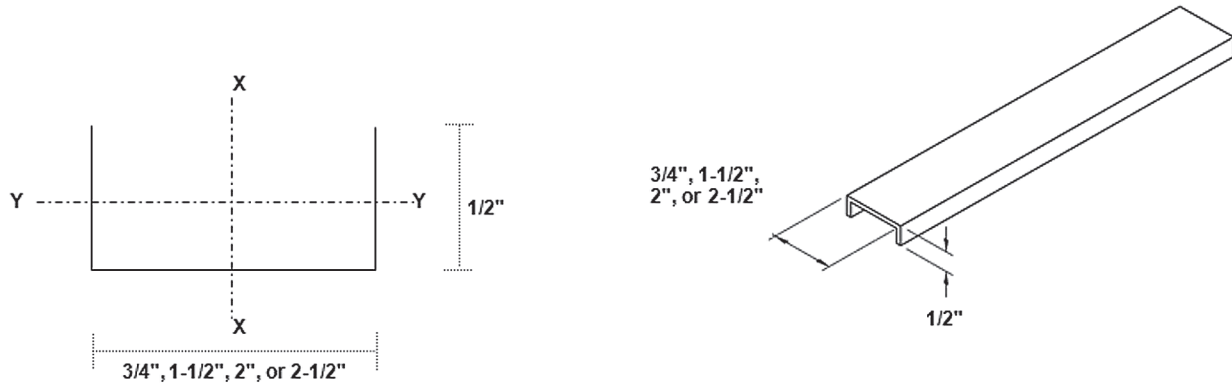


# Channel Properties

## U-Channel Section Properties

Member	Design Thickness (in)	Yield strength, Fy (ksi)	Gross Properties						Effective Properties			
			Area	Weight	Ix	Rx	Iy	Ry	Ix	Sx	Ma	Va
			(in <sup>2</sup> )	(lb/ft)	(in <sup>4</sup> )	(in)	(in <sup>4</sup> )	(in)	(in <sup>4</sup> )	(in <sup>3</sup> )	(in-k)	(lb)
075U050-54	0.0566	33	0.087	0.296	0.007	0.289	0.002	0.156	0.007	0.019	0.459	315
150U050-54	0.0566	33	0.130	0.441	0.039	0.549	0.003	0.146	0.039	0.052	1.230	840
200U050-54	0.0566	33	0.158	0.537	0.080	0.711	0.003	0.137	0.080	0.080	1.883	1190
250U050-54	0.0566	33	0.186	0.633	0.140	0.868	0.003	0.130	0.140	0.112	2.648	1540

1. Calculated properties are based upon AISI S100-07, North American Specification for the Design of Cold-Formed Steel Structural Members.
2. Minimum base steel thickness is 95% of design thickness.
3. Effective properties are based on Fy=33ksi.



## U-Channel Allowable Ceiling Spans L/360

Member	Spans	4 psf					6 psf					13 psf					15 psf				
		Channel Spacing (in) o.c.					Channel Spacing (in) o.c.					Channel Spacing (in) o.c.					Channel Spacing (in) o.c.				
		24	36	48	60	72	24	36	48	60	72	24	36	48	60	72	24	36	48	60	72
075U050-54	Single	3' 5"	3' 0"	2' 9"	2' 6"	2' 4"	3' 0"	2' 7"	2' 4"	2' 2"	2' 1"	2' 4"	2' 0"	1' 10"	1' 8"	2' 2"	1' 11"	1' 9"	1' 7"	1' 6"	1' 6"
	Multiple	4' 2"	3' 8"	3' 4"	3' 1"	2' 11"	3' 8"	3' 2"	2' 11"	2' 8"	2' 7"	2' 10"	2' 6"	2' 3"	2' 1"	1' 11"	2' 8"	2' 4"	2' 2"	2' 0"	1' 9"
150U050-54	Single	5' 6"	4' 10"	4' 5"	4' 1"	3' 10"	4' 10"	4' 3"	3' 10"	3' 7"	3' 5"	3' 9"	3' 4"	3' 0"	2' 9"	2' 7"	3' 7"	3' 2"	2' 10"	2' 7"	2' 5"
	Multiple	7' 1"	6' 2"	5' 8"	5' 3"	4' 11"	6' 2"	5' 5"	4' 11"	4' 7"	4' 4"	4' 10"	4' 2"	3' 9"	3' 4"	3' 0"	4' 7"	4' 0"	3' 6"	3' 1"	2' 9"
200U050-54	Single	5' 10"	5' 1"	4' 8"	4' 4"	4' 1"	5' 1"	4' 6"	4' 1"	3' 10"	3' 7"	4' 0"	3' 6"	3' 2"	3' 0"	2' 10"	3' 10"	3' 4"	3' 1"	2' 10"	2' 8"
	Multiple	7' 5"	6' 6"	5' 11"	5' 6"	5' 2"	6' 6"	5' 8"	5' 2"	4' 10"	4' 7"	5' 1"	4' 5"	4' 0"	3' 9"	3' 6"	4' 10"	4' 3"	3' 10"	3' 7"	3' 2"
250U050-54	Single	6' 1"	5' 4"	4' 10"	4' 6"	4' 3"	5' 4"	4' 8"	4' 3"	4' 0"	3' 9"	4' 2"	3' 8"	3' 4"	3' 1"	2' 11"	4' 0"	3' 6"	3' 2"	3' 0"	2' 10"
	Multiple	7' 9"	6' 9"	6' 2"	5' 9"	5' 5"	6' 9"	5' 11"	5' 5"	5' 0"	4' 9"	5' 3"	4' 7"	4' 3"	3' 11"	3' 9"	5' 0"	4' 5"	4' 0"	3' 9"	3' 7"

## U-Channel Allowable Ceiling Spans L/360

Member	Spans	4 psf					6 psf					13 psf					15 psf				
		Channel Spacing (in) o.c.					Channel Spacing (in) o.c.					Channel Spacing (in) o.c.					Channel Spacing (in) o.c.				
		24	36	48	60	72	24	36	48	60	72	24	36	48	60	72	24	36	48	60	72
075U050-54	Single	3' 11"	3' 5"	3' 1"	2' 11"	2' 9"	3' 5"	3' 0"	2' 9"	2' 6"	2' 4"	2' 8"	2' 4"	2' 1"	1' 11"	1' 9"	2' 6"	2' 2"	2' 0"	1' 10"	1' 8"
	Multiple	4' 10"	4' 2"	3' 10"	3' 7"	3' 4"	4' 2"	3' 8"	3' 4"	3' 1"	2' 10"	3' 3"	2' 9"	2' 4"	2' 1"	1' 11"	3' 1"	2' 7"	2' 2"	2' 0"	1' 9"
150U050-54	Single	5' 6"	4' 10"	4' 5"	4' 1"	3' 10"	4' 10"	4' 3"	3' 10"	3' 7"	3' 5"	3' 9"	3' 4"	3' 0"	2' 9"	2' 7"	3' 7"	3' 2"	2' 10"	2' 7"	2' 5"
	Multiple	7' 1"	6' 2"	5' 8"	5' 3"	4' 11"	6' 2"	5' 5"	4' 11"	4' 7"	4' 4"	4' 10"	4' 2"	3' 9"	3' 4"	3' 0"	4' 7"	4' 0"	3' 6"	3' 1"	2' 9"
200U050-54	Single	5' 10"	5' 1"	4' 8"	4' 4"	4' 1"	5' 1"	4' 6"	4' 1"	3' 10"	3' 7"	4' 0"	3' 6"	3' 2"	3' 0"	2' 10"	3' 10"	3' 4"	3' 1"	2' 10"	2' 8"
	Multiple	7' 5"	6' 6"	5' 11"	5' 6"	5' 2"	6' 6"	5' 8"	5' 2"	4' 10"	4' 7"	5' 1"	4' 5"	4' 0"	3' 9"	3' 6"	4' 10"	4' 3"	3' 10"	3' 7"	3' 2"
250U050-54	Single	6' 1"	5' 4"	4' 10"	4' 6"	4' 3"	5' 4"	4' 8"	4' 3"	4' 0"	3' 9"	4' 2"	3' 8"	3' 4"	3' 1"	2' 11"	4' 0"	3' 6"	3' 2"	3' 0"	2' 10"
	Multiple	7' 9"	6' 9"	6' 2"	5' 9"	5' 5"	6' 9"	5' 11"	5' 5"	5' 0"	4' 9"	5' 3"	4' 7"	4' 3"	3' 11"	3' 9"	5' 0"	4' 5"	4' 0"	3' 9"	3' 7"

## U-Channel Allowable Ceiling Spans L/360

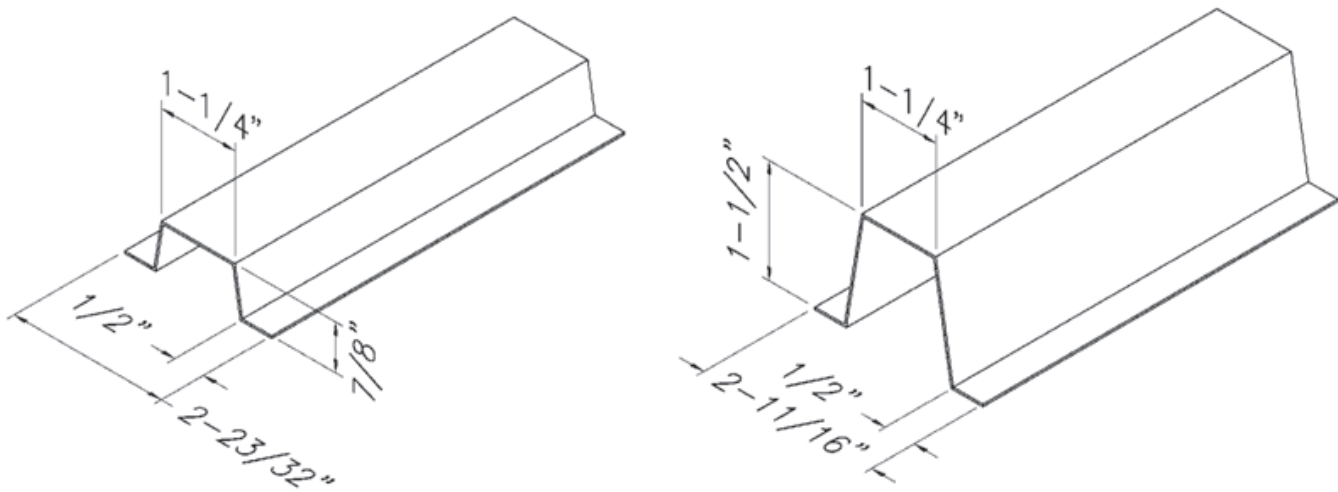
Member	Spans	4 psf					6 psf					13 psf					15 psf				
		Channel Spacing (in) o.c.					Channel Spacing (in) o.c.					Channel Spacing (in) o.c.					Channel Spacing (in) o.c.				
		24	36	48	60	72	24	36	48	60	72	24	36	48	60	72	24	36	48	60	72
075U050-54	Single	4' 10"	4' 1"	3' 7"	3' 3"	3' 0"	4' 1"	3' 5"	3' 0"	2' 9"	2' 6"	2' 11"	2' 5"	2' 2"	1' 11"	1' 9"	2' 9"	2' 4"	2' 0"	1' 10"	1' 8"
	Multiple	5' 5"	4' 6"	4' 2"	3' 10"	3' 5"	4' 6"	3' 11"	3' 5"	3' 2"	2' 11"	3' 5"	2' 9"	2' 4"	2' 1"	1' 11"	3' 1"	2' 7"	2' 2"	2' 0"	1' 9"
150U050-54	Single	5' 6"	4' 10"	4' 5"	4' 1"	3' 10"	4' 10"	4' 3"	3' 10"	3' 7"	3' 5"	3' 9"	3' 4"	3' 0"	2' 9"	2' 7"	3' 7"	3' 2"	2' 10"	2' 7"	2' 5"
	Multiple	7' 1"	6' 2"	5' 8"	5' 3"	4' 11"	6' 2"	5' 5"	4' 11"	4' 7"	4' 4"	4' 10"	4' 2"	3' 9"	3' 4"	3' 0"	4' 7"	4' 0"	3' 6"	3' 1"	2' 9"
200U050-54	Single	5' 10"	5' 1"	4' 8"	4' 4"	4' 1"	5' 1"	4' 6"	4' 1"	3' 10"	3' 7"	4' 0"	3' 6"	3' 2"	3' 0"	2' 10"	3' 10"	3' 4"	3' 1"	2' 10"	2' 8"
	Multiple	7' 5"	6' 6"	5' 11"	5' 6"	5' 2"	6' 6"	5' 8"	5' 2"	4' 10"	4' 7"	5' 1"	4' 5"	4' 0"	3' 9"	3' 6"	4' 10"	4' 3"	3' 10"	3' 7"	3' 2"
250U050-54	Single	6' 1"	5' 4"	4' 10"	4' 6"	4' 3"	5' 4"	4' 8"	4' 3"	4' 0"	3' 9"	4' 2"	3' 8"	3' 4"	3' 1"	2' 11"	4' 0"	3' 6"	3' 2"	3' 0"	2' 10"
	Multiple	7' 9"	6' 9"	6' 2"	5' 9"	5' 5"	6' 9"	5' 11"	5' 5"	5' 0"	4' 9"	5' 3"	4' 7"	4' 3"	3' 11"	3' 9"	5' 0"	4' 5"	4' 0"	3' 9"	3' 7"

1. Allowable ceiling spans are based upon effective properties.
2. Multiple span indicates two or more equal spans with channel continuous over center support.
3. Bearing length = 0.75-inches.
4. Table values are based upon the compression flange laterally unsupported.

## (Hat) Furring (F) Channel Section Properties

Member	Design Thickness (in)	Yield strength, Fy (ksi)	Gross Properties						Effective Properties			
			Area	Weight	Ix	Rx	Iy	Ry	Ix	Sx	Ma	Va
			(in <sup>2</sup> )	(lb/ft)	(in <sup>4</sup> )	(in)	(in <sup>4</sup> )	(in)	(in <sup>4</sup> )	(in <sup>3</sup> )	(ft-lb)	(lb)
087F125-18	0.0188	33	0.072	0.244	0.009	0.354	0.035	0.698	0.008	0.016	26.61	255
087F125-27	0.0283	33	0.107	0.365	0.013	0.351	0.051	0.693	0.013	0.027	45.20	381
087F125-30	0.0312	33	0.118	0.401	0.014	0.350	0.056	0.691	0.014	0.031	50.98	420
087F125-33	0.0346	33	0.130	0.443	0.016	0.349	0.062	0.689	0.016	0.034	56.23	464
087F125-43	0.0451	33	0.168	0.572	0.020	0.345	0.079	0.684	0.020	0.043	71.00	599
150F125-18	0.0188	33	0.095	0.324	0.031	0.572	0.052	0.742	0.029	0.034	56.73	261
150F125-27	0.0283	33	0.143	0.485	0.046	0.569	0.077	0.737	0.046	0.057	94.22	390
150F125-30	0.0312	33	0.157	0.534	0.051	0.568	0.085	0.735	0.050	0.064	105.92	429
150F125-33	0.0346	33	0.174	0.590	0.056	0.566	0.093	0.733	0.056	0.071	117.31	474
150F125-43	0.0451	33	0.225	0.764	0.071	0.563	0.119	0.728	0.071	0.091	149.70	613

1. Calculated properties are based upon AISI S100-07, North American Specification for the Design of Cold-Formed Steel Structural Members.
2. Minimum base metal thickness is 95% of design thickness. Design thickness used for determination of properties.
3. Effective properties are based on Fy=33ksi. For deflection calculations, use effective Ix. Effective Ix is based on Procedure 1 of NASPEC.
4. Effective properties are given as the minimum value for positive or negative bending.



## (Hat) Furring (F) Channel Allowable Ceiling Spans L/360

Member	Yield Strength, Fy (ksi)	Spans	4 psf			6 psf			13 psf		
			Spacing (in) o.c.			Spacing (in) o.c.			Spacing (in) o.c.		
			12	16	24	12	16	24	12	16	24
087F125-18	33	Single	4' 5"	4' 0"	3' 6"	3' 10"	3' 6"	3' 1"	3' 0"	2' 9"	2' 5"
		Multiple	5' 6"	5' 0"	4' 4"	4' 9"	4' 4"	3' 10"	3' 8"	3' 4"	2' 10"
087F125-27	33	Single	5' 3"	4' 9"	4' 2"	4' 7"	4' 2"	3' 8"	3' 6"	3' 3"	2' 10"
		Multiple	6' 6"	5' 11"	5' 2"	5' 8"	5' 2"	4' 6"	4' 4"	4' 0"	3' 6"
087F125-30	33	Single	5' 5"	4' 11"	4' 3"	4' 9"	4' 3"	3' 9"	3' 8"	3' 4"	2' 11"
		Multiple	6' 8"	6' 1"	5' 3"	5' 10"	5' 3"	4' 7"	4' 6"	4' 1"	3' 7"
087F125-33	33	Single	5' 7"	5' 1"	4' 5"	4' 10"	4' 5"	3' 10"	3' 9"	3' 5"	3' 0"
		Multiple	6' 11"	6' 3"	5' 6"	6' 0"	5' 6"	4' 9"	4' 8"	4' 3"	3' 8"
087F125-43	33	Single	6' 0"	5' 6"	4' 9"	5' 3"	4' 9"	4' 2"	4' 1"	3' 8"	3' 3"
		Multiple	7' 5"	6' 9"	5' 11"	6' 6"	5' 11"	5' 2"	5' 0"	4' 7"	4' 0"
150F125-18	33	Single	6' 10"	6' 2"	5' 5"	5' 11"	5' 5"	4' 9"	4' 7"	4' 2"	3' 8"
		Multiple	8' 5"	7' 8"	6' 8"	7' 4"	6' 8"	5' 10"	5' 8"	4' 9"	3' 8"
150F125-27	33	Single	7' 11"	7' 3"	6' 4"	6' 11"	6' 4"	5' 6"	5' 4"	4' 11"	4' 3"
		Multiple	9' 10"	8' 11"	7' 10"	8' 7"	7' 10"	6' 10"	6' 8"	6' 0"	5' 3"
150F125-30	33	Single	8' 2"	7' 5"	6' 6"	7' 2"	6' 6"	5' 8"	5' 6"	5' 0"	4' 5"
		Multiple	10' 1"	9' 2"	8' 0"	8' 10"	8' 0"	7' 0"	6' 10"	6' 3"	5' 5"
150F125-33	33	Single	8' 6"	7' 8"	6' 9"	7' 5"	6' 9"	5' 10"	5' 9"	5' 2"	4' 6"
		Multiple	10' 6"	9' 6"	8' 4"	9' 2"	8' 4"	7' 3"	7' 1"	6' 5"	5' 7"
150F125-43	33	Single	9' 2"	8' 4"	7' 4"	8' 0"	7' 4"	6' 4"	6' 2"	5' 8"	4' 11"
		Multiple	11' 4"	10' 4"	9' 0"	9' 11"	9' 0"	7' 11"	7' 8"	7' 0"	6' 1"

1. Allowable ceiling spans are based upon effective properties.
2. Multiple span indicates two or more equal spans with channel continuous over center support.
3. Bearing length = 0.75-inches.

## (Hat) Furring (F) Channel Allowable Ceiling Spans L/240

Member	Yield Strength, Fy (ksi)	Spans	4 psf			6 psf			13 psf		
			Spacing (in) o.c.			Spacing (in) o.c.			Spacing (in) o.c.		
			12	16	24	12	16	24	12	16	24
087F125-18	33	Single	5' 1"	4' 7"	4' 0"	4' 5"	4' 0"	3' 6"	3' 5"	3' 1"	2' 9"
		Multiple	6' 3"	5' 8"	5' 0"	5' 6"	5' 0"	4' 3"	4' 1"	3' 6"	2' 10"
087F125-27	33	Single	6' 0"	5' 5"	4' 9"	5' 3"	4' 9"	4' 2"	4' 1"	3' 8"	3' 3"
		Multiple	7' 5"	6' 9"	5' 11"	6' 6"	5' 11"	5' 2"	5' 0"	4' 7"	3' 9"
087F125-30	33	Single	6' 2"	5' 7"	4' 11"	5' 5"	4' 11"	4' 3"	4' 2"	3' 9"	3' 4"
		Multiple	7' 8"	6' 11"	6' 1"	6' 8"	6' 1"	5' 3"	5' 2"	4' 8"	4' 0"
087F125-33	33	Single	6' 5"	5' 10"	5' 1"	5' 7"	5' 1"	4' 5"	4' 4"	3' 11"	3' 5"
		Multiple	7' 11"	7' 2"	6' 3"	6' 11"	6' 3"	5' 6"	5' 4"	4' 10"	4' 2"
087F125-43	33	Single	6' 11"	6' 3"	5' 6"	6' 0"	5' 6"	4' 9"	4' 8"	4' 3"	3' 8"
		Multiple	8' 6"	7' 9"	6' 9"	7' 5"	6' 9"	5' 11"	5' 9"	5' 3"	4' 7"
150F125-18	33	Single	7' 10"	7' 1"	6' 2"	6' 10"	6' 2"	5' 5"	5' 3"	4' 9"	4' 2"
		Multiple	9' 8"	8' 9"	7' 6"	8' 5"	7' 6"	6' 2"	5' 10"	4' 9"	3' 8"
150F125-27	33	Single	9' 1"	8' 3"	7' 3"	7' 11"	7' 3"	6' 4"	6' 2"	5' 7"	4' 11"
		Multiple	11' 3"	10' 3"	8' 11"	9' 10"	8' 11"	7' 10"	7' 7"	6' 7"	5' 5"
150F125-30	33	Single	9' 5"	8' 6"	7' 5"	8' 2"	7' 5"	6' 6"	6' 4"	5' 9"	5' 0"
		Multiple	11' 7"	10' 6"	9' 2"	10' 1"	9' 2"	8' 0"	7' 10"	7' 0"	5' 9"
150F125-33	33	Single	9' 8"	8' 10"	7' 8"	8' 6"	7' 8"	6' 9"	6' 7"	5' 11"	5' 2"
		Multiple	12' 0"	10' 11"	9' 6"	10' 6"	9' 6"	8' 4"	8' 1"	7' 4"	6' 0"
150F125-43	33	Single	10' 6"	9' 7"	8' 4"	9' 2"	8' 4"	7' 4"	7' 1"	6' 5"	5' 8"
		Multiple	13' 0"	11' 10"	10' 4"	11' 4"	10' 4"	9' 0"	8' 9"	8' 0"	6' 9"

## (Hat) Furring (F) Channel Allowable Ceiling Spans L/120

Member	Yield Strength, Fy (ksi)	Spans	4 psf			6 psf			13 psf		
			Spacing (in) o.c.			Spacing (in) o.c.			Spacing (in) o.c.		
			12	16	24	12	16	24	12	16	24
087F125-18	33	Single	6' 5"	5' 10"	5' 1"	5' 7"	5' 1"	4' 5"	4' 4"	3' 11"	3' 5"
		Multiple	7' 4"	6' 4"	5' 1"	5' 11"	5' 2"	4' 2"	4' 1"	3' 6"	2' 10"
087F125-27	33	Single	7' 7"	6' 10"	6' 0"	6' 7"	6' 0"	5' 3"	5' 1"	4' 8"	4' 1"
		Multiple	9' 4"	8' 3"	6' 8"	7' 9"	6' 9"	5' 5"	5' 3"	4' 7"	3' 8"
087F125-30	33	Single	7' 9"	7' 1"	6' 2"	6' 10"	6' 2"	5' 5"	5' 3"	4' 9"	4' 2"
		Multiple	9' 7"	8' 9"	7' 1"	8' 3"	7' 2"	5' 9"	5' 7"	4' 10"	3' 11"
087F125-33	33	Single	8' 0"	7' 4"	6' 5"	7' 0"	6' 5"	5' 7"	5' 5"	4' 11"	4' 4"
		Multiple	9' 11"	9' 0"	7' 5"	8' 8"	7' 6"	6' 1"	5' 11"	5' 1"	4' 1"
087F125-43	33	Single	8' 8"	7' 11"	6' 11"	7' 7"	6' 11"	6' 0"	5' 10"	5' 4"	4' 8"
		Multiple	10' 9"	9' 9"	8' 5"	9' 5"	8' 5"	6' 10"	6' 7"	5' 9"	4' 8"
150F125-18	33	Single	9' 10"	8' 11"	7' 10"	8' 7"	7' 10"	6' 10"	6' 8"	6' 0"	5' 3"
		Multiple	10' 8"	9' 3"	7' 6"	8' 8"	7' 6"	6' 1"	5' 10"	4' 5"	2' 11"
150F125-27	33	Single	11' 6"	10' 5"	9' 1"	10' 0"	9' 1"	7' 11"	7' 9"	7' 0"	6' 2"
		Multiple	13' 9"	11' 11"	9' 8"	11' 2"	9' 8"	7' 11"	7' 7"	6' 7"	5' 4"
150F125-30	33	Single	11' 10"	10' 9"	9' 5"	10' 4"	9' 5"	8' 2"	8' 0"	7' 3"	6' 4"
		Multiple	14' 7"	12' 7"	10' 3"	11' 11"	10' 3"	8' 4"	8' 1"	7' 0"	5' 8"
150F125-33	33	Single	12' 3"	11' 1"	9' 8"	10' 8"	9' 8"	8' 6"	8' 3"	7' 6"	6' 7"
		Multiple	15' 1"	13' 3"	10' 9"	12' 6"	10' 10"	8' 10"	8' 6"	7' 4"	6' 0"
150F125-43	33	Single	13' 3"	12' 1"	10' 6"	11' 7"	10' 6"	9' 2"	8' 11"	8' 2"	7' 1"
		Multiple	16' 5"	14' 11"	12' 2"	14' 2"	12' 3"	9' 11"	9' 7"	8' 4"	6' 9"

1. Single spans taken as the minimum span based on moment, shear, web crippling or deflection.
2. Multiple span indicates two or more equal, continuous spans with span length measured support to support.
3. Multiple spans taken as minimum span based on moment, shear, web crippling, deflection combined bending and shear or combined bending and web crippling.
4. Web crippling values based upon 1-inch bearing at end and interior supports.

## Screw Table Notes

1. Allowable screw connection capacities are based upon section E4 of the AISI S100-07, North American Specification for the Design of Cold-Formed Steel Structural Members.
2. When connecting materials of different steel thicknesses or tensile strengths, use the lowest values. Tabulated values assume two sheets of equal thickness are connected.
3. Screw shear and tension capacities were developed using published screw manufacturer data and evaluation reports available at the time of publications.
4. A nominal shear stress of 42.85 ksi and a nominal tension stress of 40.84 ksi were used for calculations based on screw manufacturer data.
5. Screw capacities are based upon Allowable Strength Design (ASD) and include safety factor of 3.0.
6. When multiple fasteners are used, screws are assumed to have a center-to-center spacing of at least 3 times the nominal diameter (d).
7. Screws are assumed to have a center of screw to edge of steel dimension of at least 1.5 times the nominal diameter (d) of the screw.
8. Tension capacity is based upon the lesser of pullout capacity in sheet closest to screw tip, or pullover capacity for sheet closest to screw head (based upon head diameter).
9. Note that for all tension values calculated in screw table, pullover values have been reduced by 50%, assuming eccentrically loaded connections that produce a non-uniform pullover force of the fastener.
10. Screw capacities are governed by a conservative estimate of screw capacity, not by sheet steel failure.
11. For higher screw capacities, especially for screw strength, use specific screws from specific manufacturers. See manufacturers' data for specific allowable values and installation instructions.

Allowable Screw Connection Capacity (Pounds per Screw)												
Thickness (Mils)	Yield Strength, F <sub>y</sub> (ksi)	Tensile Strength, F <sub>u</sub> (ksi)	# 6 Screw (0.138" Dia, 5/16" Head)		# 8 Screw (0.164" Dia, 5/16" Head)		# 10 Screw (0.190" Dia, 0.340" Head)		# 12 Screw (0.216" Dia, 0.340" Head)		1/4" Screw (0.250" Dia, 0.409" Head)	
			Shear	Tension	Shear	Tension	Shear	Tension	Shear	Tension	Shear	Tension
			18	33	33	44	24	48	29	52	33	55
27	33	33	82	37	89	43	96	50	102	57	110	66
30	33	33	95	40	103	48	111	55	118	63	127	73
33	33	45	151	61	164	72	177	84	188	95	203	110
43	33	45	214	79	244	94	263	109	280	124	302	144
54	33	45	214	100	302	118	370	137	394	156	424	180
54	50	65	214	144	302	171	405	198	523	225	613	261
68	33	45	214	125	302	149	405	173	523	196	600	227
68	50	65	214	181	302	215	405	249	523	284	701	328
97	33	45	214	179	302	213	405	246	523	280	701	324
97	50	65	214	204	302	288	405	356	523	405	701	468
118	33	45	214	204	302	260	405	301	523	342	701	396
118	50	65	214	204	302	288	405	386	523	494	701	572



## Weld Table Notes

1. Allowable weld capacities are based upon section E2.4 (for fillet welds) and E2.5 (for flare groove welds) of the AISI S100-07, North American Specification for the Design of Cold-Formed Steel Structural Members.
2. When connecting materials of different steel thicknesses or tensile strengths, use the lowest values.
3. Weld capacities are based upon Allowable Strength Design (ASD) and include appropriate safety factors.
4. Weld capacities are based upon either 3/32" or 1/8" diameter E60 or E70 Electrodes. For thinner materials, 0.030" to 0.035" diameter wire electrodes may provide best results.
5. Parallel capacity is considered to be loading in the direction of the weld.
6. For flare groove welds, the effective throat of the weld is conservatively assumed to be less than 2t.

### Allowable Weld Capacity (Pounds) for 1-inch of Weld

Thickness (Mils)	Design Thickness	Fy: Yield (ksi)	Fu: Tensile (ksi)	Fillet Welds		Flare Groove Welds	
				Parallel	Perpendicular	Parallel	Perpendicular
				43	0.0451	33	45
54	0.0566	33	45	822	1084	682	832
54	0.0566	50	65	1188	1566	985	1202
68	0.0713	33	45	1082	1365	859	1048
68	0.0713	50	65	1563	1972	1241	1514
97	0.1017	33	45	1618	1947	1226	1495
97	0.1017	50	65	2337	2813	1771	2159
118	0.1242	33	45	2015	2378	1497	1826
118	0.1242	50	65	2911	3435	2162	2637

**BLOCKING NOTE:**

PLACE SOLID BLOCKING AT ENDS OF FLOOR SYSTEM, ADJACENT TO ALL OPENINGS, AND AT 10'-0" o.c. MAX.

**STRAP NOTE:**

TOP STRAP NOT REQ'D. IF CONTINUOUSLY ATTACHED RIGID SHEATHING IS USED. TEMPORARY BRACING OF TOP FLANGE DURING CONSTRUCTION MAY BE REQ'D.

MIN. 18 GA RUNNER TRACK  
SOLID BLOCKING @ 10'-0" o.c.  
MAX. MAKE RUNNER TRACK 8"  
LONGER THAN JOIST INSIDE  
SPACING. CLIP FLANGES OF  
TRACK 4" FROM EACH END.  
BEND TRACK AT CLIPPED FLANGES.

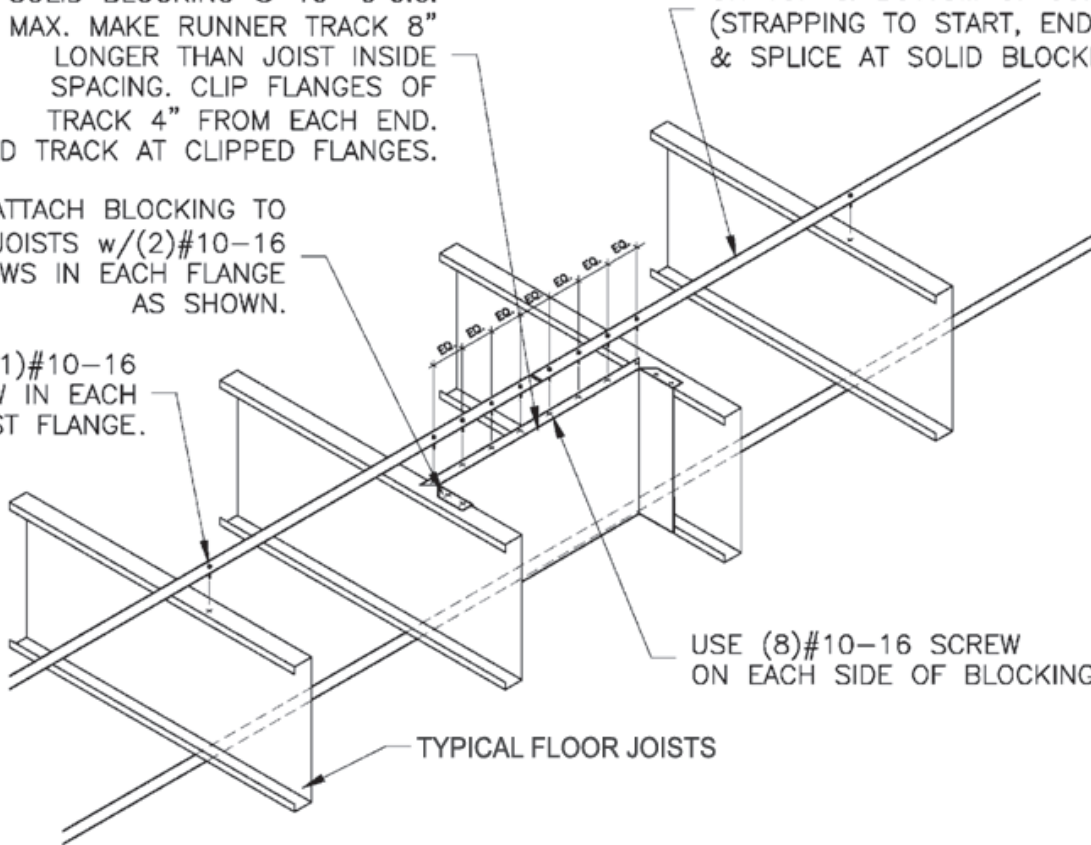
ATTACH BLOCKING TO  
JOISTS w/(2)#10-16  
SCREWS IN EACH FLANGE  
AS SHOWN.

(1)#10-16  
SCREW IN EACH  
JOIST FLANGE.

1-1/2" x 20 GA. STRAPPING  
ON TOP & BOTTOM OF JOISTS.  
(STRAPPING TO START, END,  
& SPLICE AT SOLID BLOCKING)

USE (8)#10-16 SCREW  
ON EACH SIDE OF BLOCKING.

TYPICAL FLOOR JOISTS



BRIDGING RECOMMENDATIONS	
SPANS	ROWS REQUIRED
UP TO 14'	ONE ROW @ MID-SPAN
14' TO 20'	TWO ROWS @ THIRD POINTS
20' TO 26'	THREE ROWS @ QUARTER POINTS

## JOIST BRIDGING

1-1/2" x 20GA STRAP WITH  
RUNNER TRACK BLOCKING







STEEL FRAMING INDUSTRY ASSOCIATION

## CODE COMPLIANCE CERTIFICATION PROGRAM

SFIA developed, supported an industry support Code Compliance Certification Program endorsed by the Association of the Wall and Ceiling Industry. The program is accessible to all manufacturers to certify that structural and nonstructural cold-formed steel framing they produce complies with the IBC 2009 code requirements.

Structural and nonstructural cold-formed steel framing certification is administered and audited by an independent third party testing agency meeting IAS AC98 requirements and demonstrating compliance with ISO/IEC Standard 17020.

The validation process includes a minimum of two unannounced manufacturing audits per year of each facility operated by a manufacturer, as well as on-going random selection and independent testing of certified cold-formed steel framing products.

	<b>STRUCTURAL</b> CERTIFIED CODE COMPLIANT TO	<b>ISO CERTIFIED</b> TESTING LABORATORY  Tested – Approved
	✓IBC 2009 ✓ASTM C955 ✓ASTM A1003/A1003M	
Steel Framing Industry Association—Service to the Industry		

	<b>NONSTRUCTURAL</b> CERTIFIED CODE COMPLIANT TO	<b>ISO CERTIFIED</b> TESTING LABORATORY  Tested – Approved
	✓IBC 2009 ✓ASTM C645 ✓ASTM A1003/A1003M	
Steel Framing Industry Association—Service to the Industry		

Manufacturing facilities that satisfy the requirements for certification are authorized to label structural and nonstructural cold-formed steel framing members they produce as “certified code compliant.” The list of manufacturing facilities with certification authorization stays current by being updated as changes occur and can be found at [www.steel framing association.org/certifications](http://www.steel framing association.org/certifications).



The SFIA is the first and only all-inclusive association focused on promotion, advocacy, education and innovation for the steel framing industry. The primary goal is to unify the industry to expand the market for cold-formed steel framing. Membership categories include steel mills, coil coaters, processors, roll-formers, fabricators, engineers, material distributors; all the way through and including the end-user, the framing contractors.

513 West Broad Street, Suite 210  
Falls Church, VA 22046  
Phone: 703-538-1602  
Fax: 703-538-1722  
[membership@steelframingassociation.org](mailto:membership@steelframingassociation.org)  
[www.steelframingassociation.org](http://www.steelframingassociation.org)

Version 2011.101